



Chipsmall Limited consists of a professional team with an average of over 10 year of expertise in the distribution of electronic components. Based in Hongkong, we have already established firm and mutual-benefit business relationships with customers from,Europe,America and south Asia,supplying obsolete and hard-to-find components to meet their specific needs.

With the principle of “Quality Parts,Customers Priority,Honest Operation,and Considerate Service”,our business mainly focus on the distribution of electronic components. Line cards we deal with include Microchip,ALPS,ROHM,Xilinx,Pulse,ON,Everlight and Freescale. Main products comprise IC,Modules,Potentiometer,IC Socket,Relay,Connector.Our parts cover such applications as commercial,industrial, and automotives areas.

We are looking forward to setting up business relationship with you and hope to provide you with the best service and solution. Let us make a better world for our industry!



## Contact us

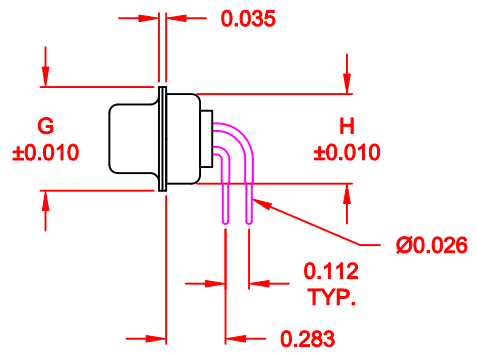
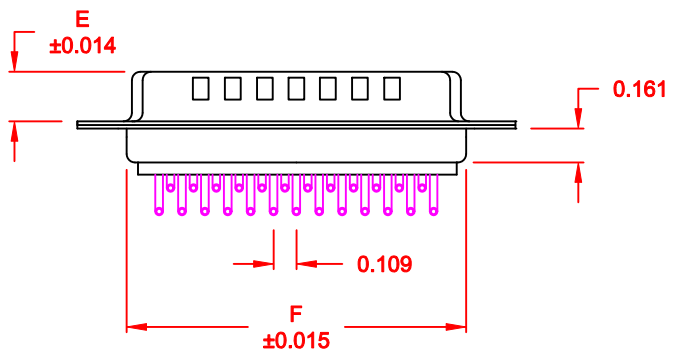
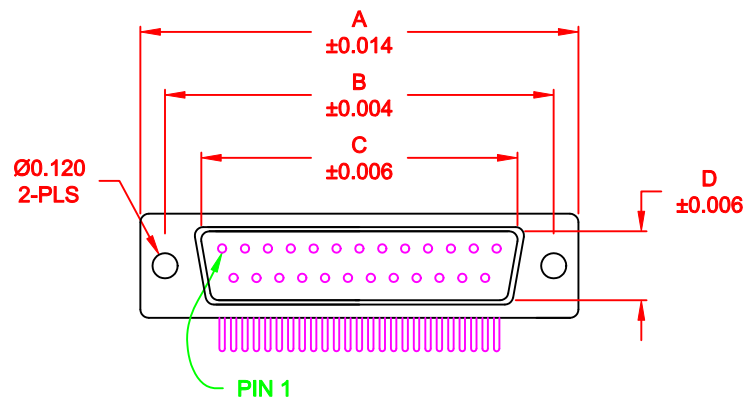
Tel: +86-755-8981 8866 Fax: +86-755-8427 6832

Email & Skype: info@chipsmall.com Web: www.chipsmall.com

Address: A1208, Overseas Decoration Building, #122 Zhenhua RD., Futian, Shenzhen, China



DESCRIPTION: MALE - 0.283 RIGHT ANGLE / MACHINED - ECONOMY



| No. OF PINS | DIMENSIONS |       |       |       |       |       |       |       |
|-------------|------------|-------|-------|-------|-------|-------|-------|-------|
|             | A          | B     | C     | D     | E     | F     | G     | H     |
| 9           | 1.213      | 0.984 | 0.666 | 0.329 | 0.236 | 0.756 | 0.496 | 0.427 |
|             | 30.80      | 24.99 | 16.92 | 8.36  | 5.99  | 19.20 | 12.60 | 10.85 |
| 15          | 1.541      | 1.312 | 0.994 | 0.329 | 0.236 | 1.091 | 0.496 | 0.427 |
|             | 39.15      | 33.32 | 25.25 | 8.36  | 5.99  | 27.70 | 12.60 | 10.85 |
| 25          | 2.087      | 1.852 | 1.534 | 0.329 | 0.236 | 1.618 | 0.496 | 0.427 |
|             | 53.00      | 47.04 | 38.96 | 8.36  | 5.99  | 41.10 | 12.60 | 10.85 |

773-EYY-1 1 3 R YY 1

- SERIES
- POSITIONS
  - E09
  - E15
  - E25
- GENDER
  - 1 = MALE
- TERMINATION
  - 1 = THROUGH HOLE
- SHELL PLATING
  - 3 = NICKEL (GROUND INDENTS)
- RoHS COMPLIANT
- HARDWARE OPTIONS
  - 00 = NO HARDWARE
  - 01 = .065" CLINCH NUT (BOARD SIDE)
  - 14 = SHORT BRACKET WITH 4-40 SCREW LOCK
- PLATING OPTIONS
  - 1 = GOLD FLASH
  - 2 = 30 MICRO-INCH GOLD

MEETS IP67 STANDARDS  
(SEE PAGE 3 FOR SEALING DETAILS)

**MATERIAL:**

- SHELL: STEEL, NICKEL PLATED
- INSULATOR: UL 94V-O RATED, WHITE PA6T
- PROCESS TEMP.: 260° C
- CONTACT: BRASS
- SEALING MATERIAL: F08 FLEXIBLE ADHESIVE

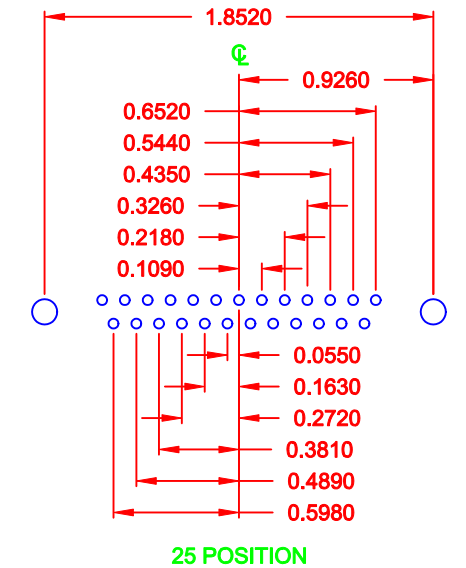
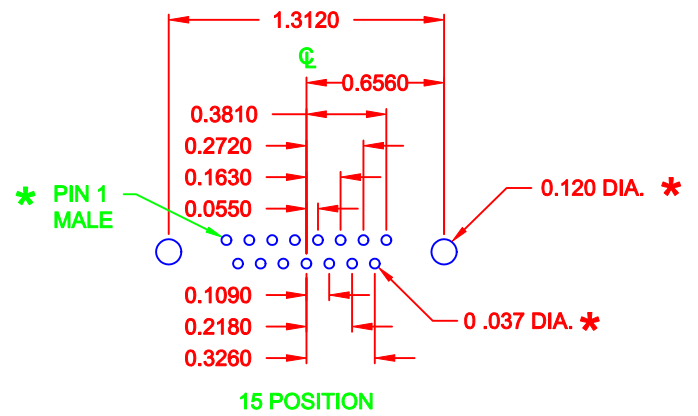
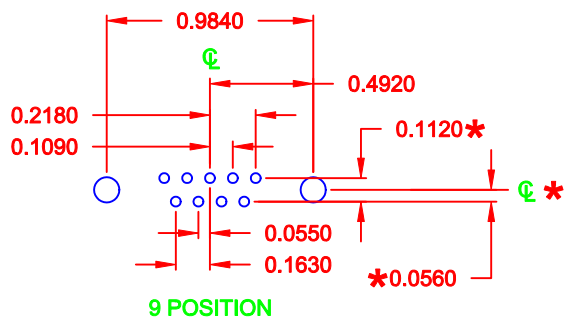
**ELECTRICAL:**

- CURRENT RATING: 5 AMPS
- CONTACT RESISTANCE: 15 mOhms Max.
- INSULATION RESISTANCE: 1,000 MOhms min.
- VOLTAGE: 500VAC FOR 1 MINUTE
- TEMPERATURE: -50° C TO 100° C

RoHS COMPLIANT


DO NOT SCALE FROM DRAWING

|                |   |                                |                              |                          |
|----------------|---|--------------------------------|------------------------------|--------------------------|
|                | THESE DRAWINGS AND SPECIFICATIONS ARE THE PROPERTY OF NorComp AND SHALL NOT BE REPRODUCED, COPIED OR USED AS THE BASIS FOR THE MANUFACTURE OR SALE OF APPARATUS WITHOUT WRITTEN PERMISSION. |                                | DRAWN:<br><b>PAM JENKINS</b> | DATE:<br><b>06-29-09</b> |
|                |   |                                | CHECKED:                     | DATE:                    |
| <b>NorComp</b> |   | SCALE:<br>1 : 1                | SHEET<br>1 OF 3              | REV<br>5                 |
|                |   | DWG NO. <b>773-EYY-113RYY1</b> |                              |                          |



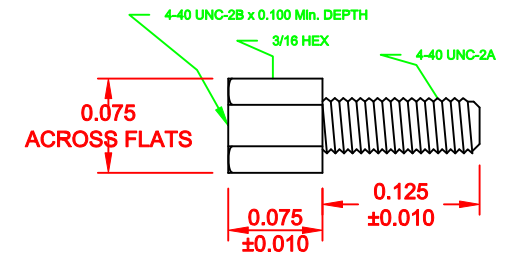
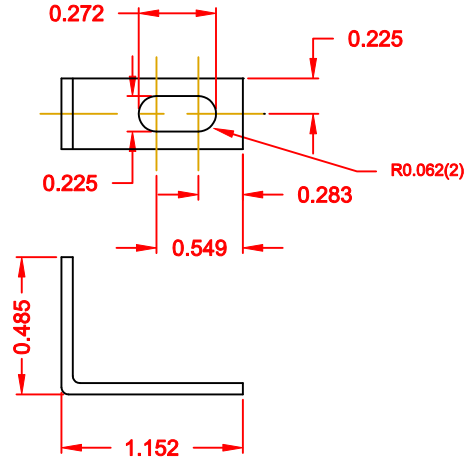
\* TYP. ON ALL SIZES  
UNLESS NOTED OTHERWISE

DO NOT SCALE FROM DRAWING

|  |   |                            |                       |
|--|---|----------------------------|-----------------------|
|  | THESE DRAWINGS AND SPECIFICATIONS ARE THE PROPERTY OF NorComp AND SHALL NOT BE REPRODUCED, COPIED OR USED AS THE BASIS FOR THE MANUFACTURE OR SALE OF APPARATUS WITHOUT WRITTEN PERMISSION. | DRAWN: <b>PAM JENKINS</b>  | DATE: <b>06-29-09</b> |
|  |   | CHECKED:                   | DATE:                 |
| <h1>NorComp</h1>   | SCALE: <b>FULL</b>  | SHEET <b>2</b> OF <b>3</b> | REV <b>5</b>          |
|  | DWG NO. <b>773-EYY-113RYY1</b>  |                            |                       |

# HARDWARE OPTIONS

## 14 = SHORT BRACKET & 4-40 SCREW LOCK

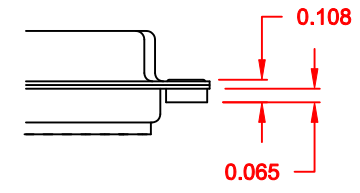


SCREW LOCK

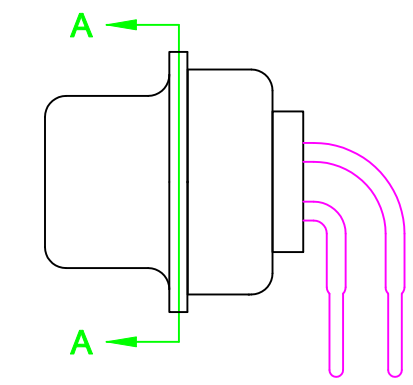
MOUNTING BRACKET

## 01 CLINCH NUT OPTION

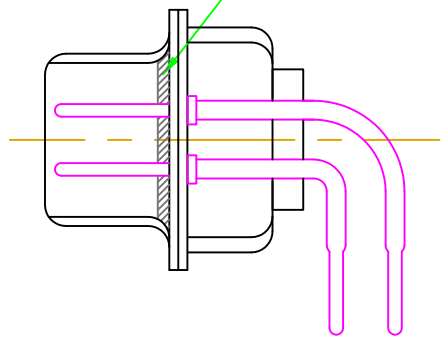
01X ..... 0.065" (BOARD SIDE) - CN1



DO NOT SCALE FROM DRAWING



FRONT SEAL APPLIED OVER INSULATOR AND BETWEEN FRONT & REAR SHELLS



DETAIL A-A

|                  |   |                               |                           |                          |
|------------------|---|-------------------------------|---------------------------|--------------------------|
|                  | THESE DRAWINGS AND SPECIFICATIONS ARE THE PROPERTY OF NorComp AND SHALL NOT BE REPRODUCED, COPIED OR USED AS THE BASIS FOR THE MANUFACTURE OF SALE OF APPARATUS WITHOUT WRITTEN PERMISSION. |                               | DRAWN:<br><b>C. SMITH</b> | DATE:<br><b>06-10-09</b> |
|                  |   |                               | CHECKED:                  | DATE:                    |
| <h1>NorComp</h1> | SCALE:<br><b>2.5 : 1</b>  | SHEET<br><b>3</b> OF <b>3</b> | REV<br><b>5</b>           |                          |
|                  | DWG NO. <b>773-EYY-113RYY1</b>  |                               |                           |                          |