



Chipsmall Limited consists of a professional team with an average of over 10 year of expertise in the distribution of electronic components. Based in Hongkong, we have already established firm and mutual-benefit business relationships with customers from,Europe,America and south Asia,supplying obsolete and hard-to-find components to meet their specific needs.

With the principle of “Quality Parts,Customers Priority,Honest Operation,and Considerate Service”,our business mainly focus on the distribution of electronic components. Line cards we deal with include Microchip,ALPS,ROHM,Xilinx,Pulse,ON,Everlight and Freescale. Main products comprise IC,Modules,Potentiometer,IC Socket,Relay,Connector.Our parts cover such applications as commercial,industrial, and automotives areas.

We are looking forward to setting up business relationship with you and hope to provide you with the best service and solution. Let us make a better world for our industry!



Contact us

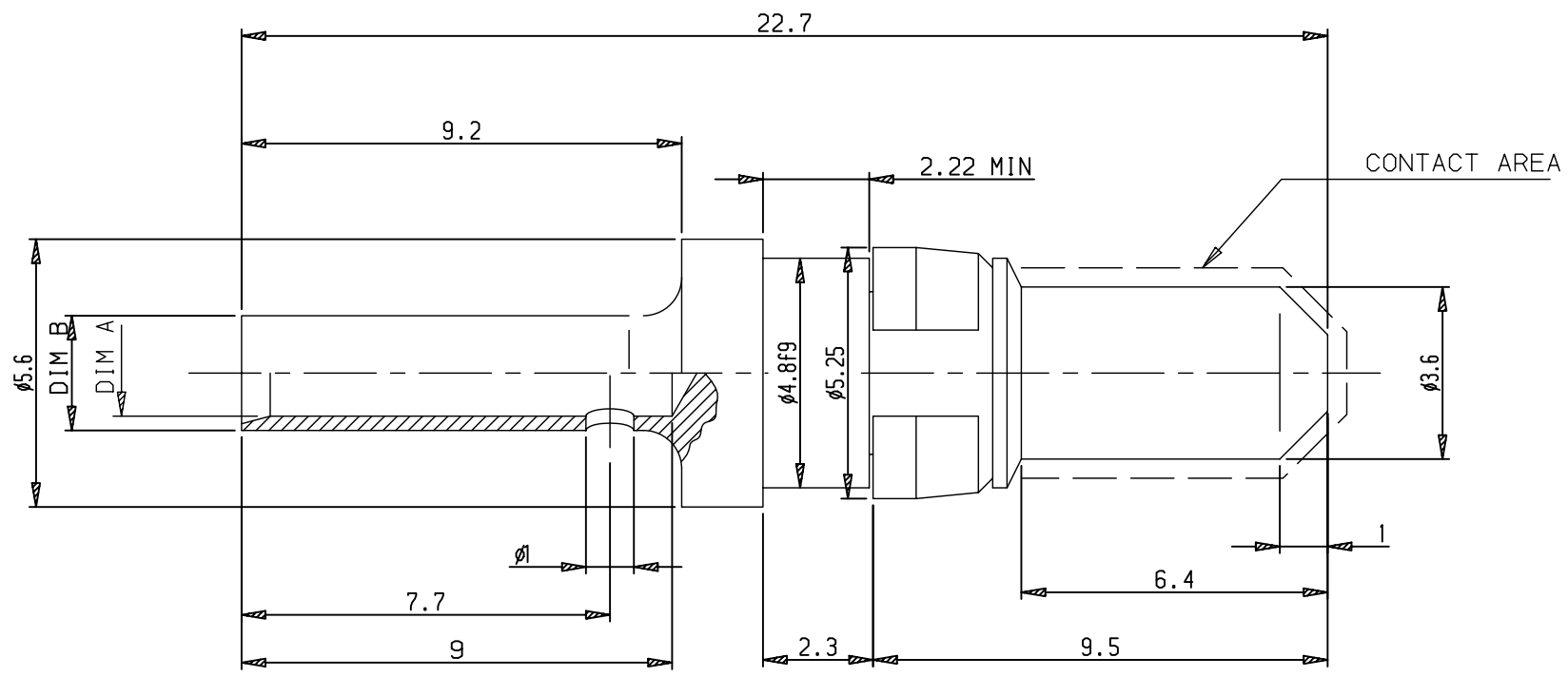
Tel: +86-755-8981 8866 Fax: +86-755-8427 6832

Email & Skype: info@chipsmall.com Web: www.chipsmall.com

Address: A1208, Overseas Decoration Building, #122 Zhenhua RD., Futian, Shenzhen, China



LEAD-FREE P/N	CURRENT RATING	DIM A	DIM B
77428-X41LF	40A	∅4.8	∅5.6
77428-X31LF	30A	∅3.5	∅4.4
77428-X21LF	20A	∅2.8	∅3.7
77428-X11LF	10A	∅1.7	∅2.55



1. UNDERPLATING NI.
2. DIM. ACC. DIN 41626.
3. THIS PRODUCT WITH "LF" SUFFIX MEETS EUROPEAN UNION DIRECTIVES AND OTHER COUNTRY REGULATIONS AS DESCRIBED IN GS -22-008.
4. THE PRODUCT IS NOT INTENDED TO BE EXPOSED TO A MANUFACTURING SOLDER PROCESS.
5. PACKAGING SPEC: SEE GS-14-920

Copyright FCI. FCj

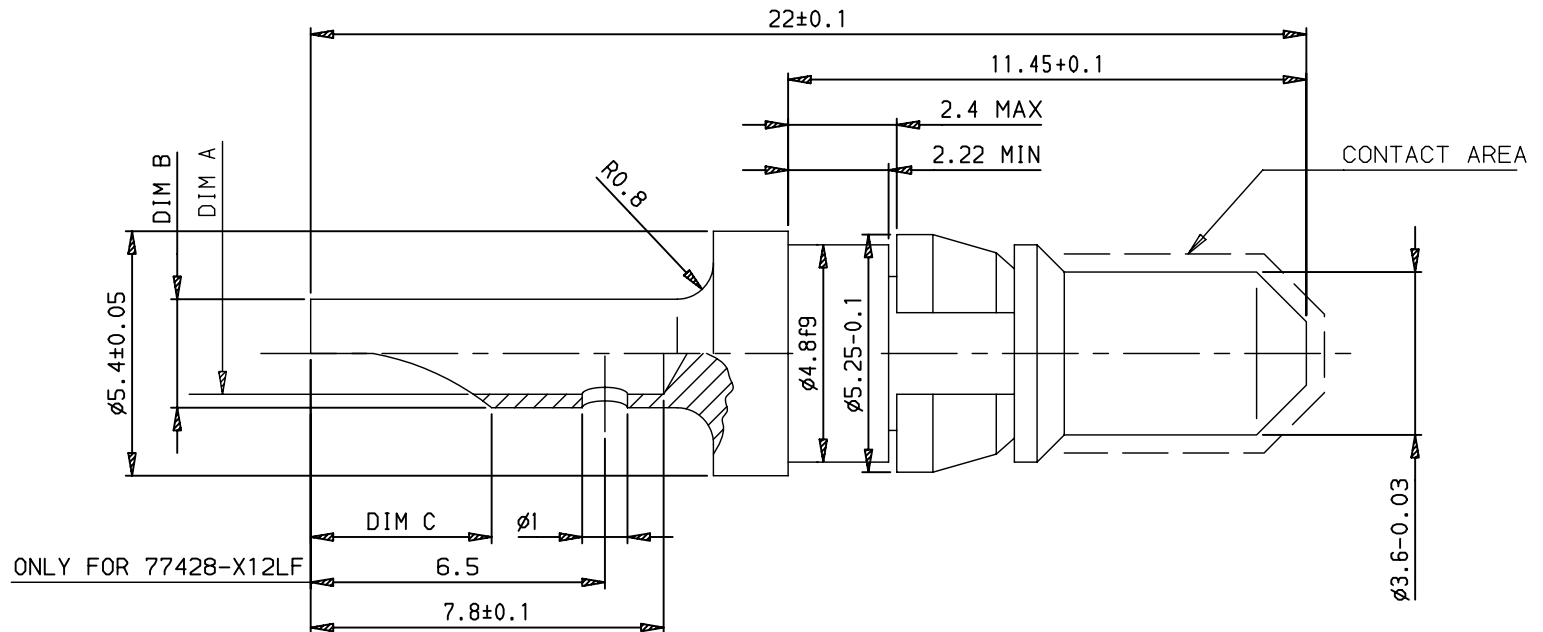
European Views

www.fciconnect.com		surface ISO 1302 ✓	tolerance std ISO 406 ISO 1101	projection ⊕	mm
TOLERANCES UNLESS OTHERWISE SPECIFIED					
Dr	GOISNARD	2006/03/06	ANGULAR	0.X ±0.1	size A3
Eng	GOISNARD	2006/03/06	LINEAR	0.XX ±0.1	Scale 10
Chr	LEGARE	2006/03/06	0.XX' ±2'	0.XXX ±0.1	ECN LS07-0249
Appr	LEGARE	2006/03/06	Product family BACKPANEL		Spec ref -
FCj			POWER INSERT		dwg no 77428
			MALE STRAIGHT C.T.W		Rev. K
catalog no			CUSTOMER		sheet 1 of 7

rev	ecn no	dr	date
H	LS06-0022	LGO	2006/03/06
J	LS07-0214	LGO	2007/08/20
K	LS07-0249	LGO	2007/10/08
-	-	-	-
-	-	-	-
-	-	-	-

1	1.3 um Au MIN
PLATING CODE X	CONTACT AREA

LEAD-FREE P/N	CURRENT RATING	DIM A	DIM B	DIM C
77428-X42LF	40A	∅4.8	∅5.6	5.2
77428-X32LF	30A	∅3.5	∅4.4	5.2
77428-X22LF	20A	∅2.8	∅3.7	4
77428-X12LF	10A	∅1.7	∅2.55	3



NOTES:

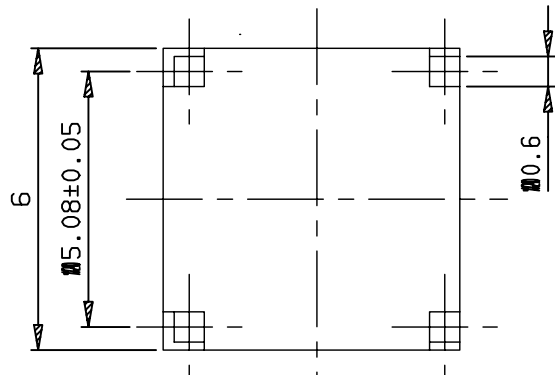
1. UNDERPLATING NI.
2. DIM. ACC. DIN 41626.
3. GEN. TOL.±0.10
4. THIS PRODUCT WITH "LF" SUFFIX MEETS EUROPEAN UNION DIRECTIVES AND OTHER COUNTRY REGULATIONS AS DESCRIBED IN GS -22-008.
5. THE PRODUCT IS NOT INTENDED TO BE EXPOSED TO A MANUFACTURING SOLDER PROCESS.
6. PACKAGING SPEC: SEE GS-14-920

1	1.3 µm Au MIN
PLATING CODE X	CONTACT AREA

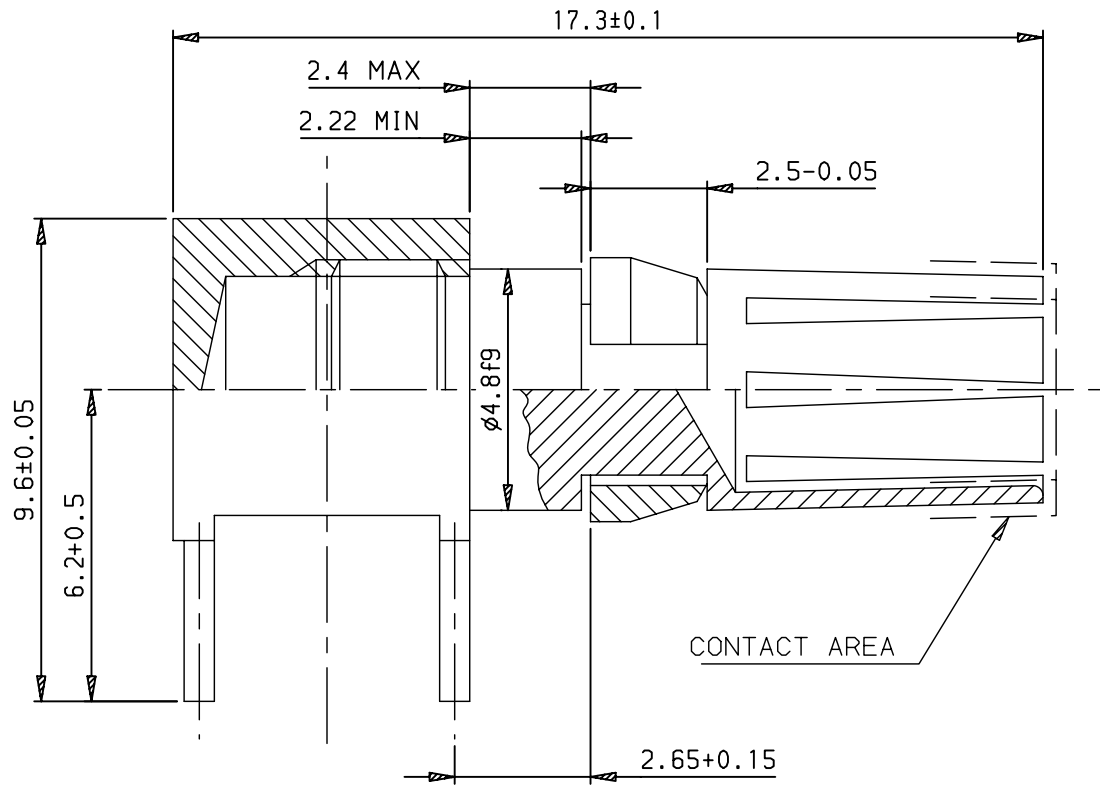
European Views

www.fciconnect.com		surface ISO 1302 ✓	tolerance std ISO 406 ISO 1101	projection ⊕	mm
TOLERANCES UNLESS OTHERWISE SPECIFIED					
Dr	GOISNARD	2006/03/06	ANGULAR	0.X	±0.1
Eng	GOISNARD	2006/03/06	LINEAR	0.XX	±0.1
Chr	LEGARE	2006/03/06	0.XX' ±2'	0.XXX	±0.1
Appr	LEGARE	2006/03/06	Product family	BACKPANEL	Spec ref -
FCj		title POWER INSERT		dwg no 77428	
		MALE STRAIGHT S.T.W		Rev. K	
		catalog no		CUSTOMER sheet 2 of 7	

LEAD-FREE P/N
77428-X03LF



VIEW P



CONTACT AREA

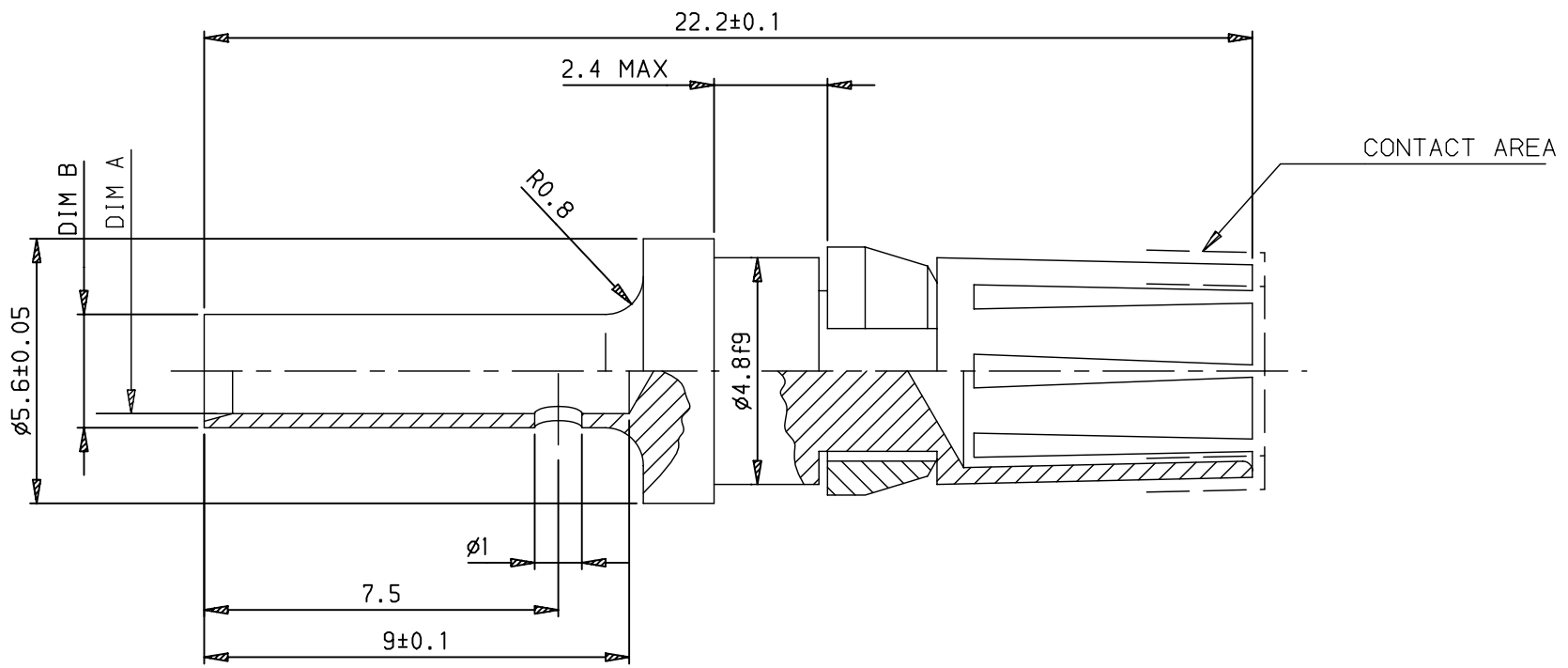
NOTES:

1. UNDERPLATING NI.
2. DIM. ACC. DIN 41626.
3. GEN. TOL.±0.10
- 5 THIS PRODUCT WITH "LF" SUFFIX MEETS EUROPEAN UNION DIRECTIVES AND OTHER COUNTRY REGULATIONS AS DESCRIBED IN GS -22-008.
- 6 THE HOUSING WILL WITHSTAND EXPOSURE TO 260 DEGREE PEAK TEMPERATURE FOR 20 SECONDS IN WAVE SOLDER APPLICATION WITH A 1.6 MM MINIMUM THICK CIRCUIT BOARD.
7. PACKAGING SPEC: SEE GS-14-920

2	0.8 μm Au MIN
1	1.3 μm Au MIN
PLATING CODE X	CONTACT AREA

www.fciconnect.com		surface ISO 1302 ✓	tolerance std ISO 406 ISO 1101	projection mm	European Views
TOLERANCES UNLESS OTHERWISE SPECIFIED					
Dr	GOISNARD	2006/03/06	ANGULAR	0.X ±0.1	size A3
Eng	GOISNARD	2006/03/06	LINEAR	0.XX ±0.1	Scale 10
Chr	LEGARE	2006/03/06	0.XX' ±2'	0.XXX ±0.1	ECN LS07-0249
Appr	LEGARE	2006/03/06	Product family	BACKPANEL	Spec ref -
FCj		title POWER INSERT		dwg no 77428	Rev. K
		catalog no		CUSTOMER	sheet 3 of 7

LEAD-FREE P/N	CURRENT RATING	DIM A	DIM B
77428-X44LF	40A	∅4.8	∅5.6
77428-X34LF	30A	∅3.5	∅4.4
77428-X24LF	20A	∅2.8	∅3.7
77428-X14LF	10A	∅1.7	∅2.55



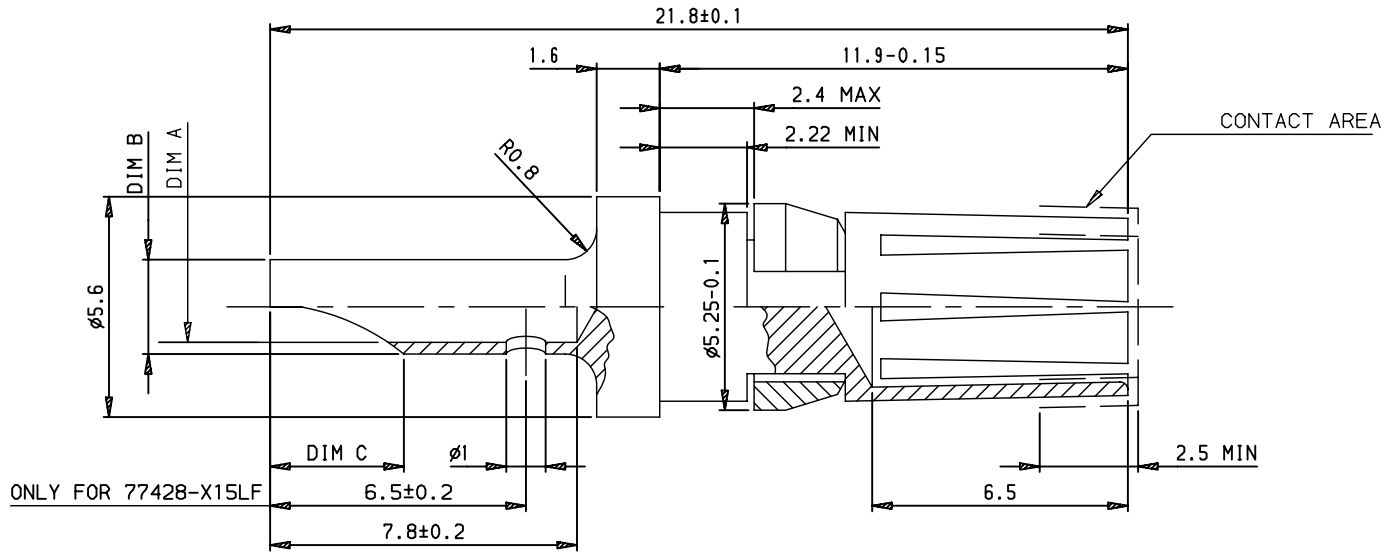
- NOTES:
1. UNDERPLATING NI.
 2. DIM. ACC. DIN 41626. UNLESS OTHERWISE STATED
 3. GEN. TOL.±0.10
 4. THIS PRODUCT WITH "LF" SUFFIX MEETS EUROPEAN UNION DIRECTIVES AND OTHER COUNTRY REGULATIONS AS DESCRIBED IN GS -22-008.
 5. THE PRODUCT IS NOT INTENDED TO BE EXPOSED TO A MANUFACTURING SOLDER PROCESS.
 6. PACKAGING SPEC: SEE GS-14-920

1	1.3 µm Au MIN
PLATING CODE X	CONTACT AREA

www.fciconnect.com		surface ISO 1302 ✓	tolerance std ISO 406 ISO 1101	projection ⊕	mm
TOLERANCES UNLESS OTHERWISE SPECIFIED					
Dr	GOISNARD	2006/03/06	ANGULAR	0.X ±0.1	size A3
Eng	GOISNARD	2006/03/06	LINEAR	0.XX ±0.1	Scale 10
Chr	LEGARE	2006/03/06	0.XX' ±2'	0.XXX ±0.1	ECN LS07-0249
Appr	LEGARE	2006/03/06	Product family	BACKPANEL	Spec ref -
FCj		POWER INSERT		dwg no	Rev.
		FEMALE STRAIGHT C.T.W		77428	K
catalog no		-		CUSTOMER	sheet 4 of 7

REV F - 2006-04-17

LEAD-FREE P/N	CURRENT RATING	DIM A	DIM B	DIM C
77428-X45LF	40A	∅4.8	∅5.6	5.2
77428-X35LF	30A	∅3.5	∅4.4	5.2
77428-X25LF	20A	∅2.8	∅3.7	4
77428-X15LF	10A	∅1.7	∅2.55	3



NOTES:

1. UNDERPLATING NI.
2. DIM. ACC. DIN 41626.
3. GEN. TOL. ±0.10
4. THIS PRODUCT WITH "LF" SUFFIX MEETS EUROPEAN UNION DIRECTIVES AND OTHER COUNTRY REGULATIONS AS DESCRIBED IN GS -22-008.
5. THE PRODUCT IS NOT INTENDED TO BE EXPOSED TO A MANUFACTURING SOLDER PROCESS.
6. PACKAGING SPEC: SEE GS-14-920

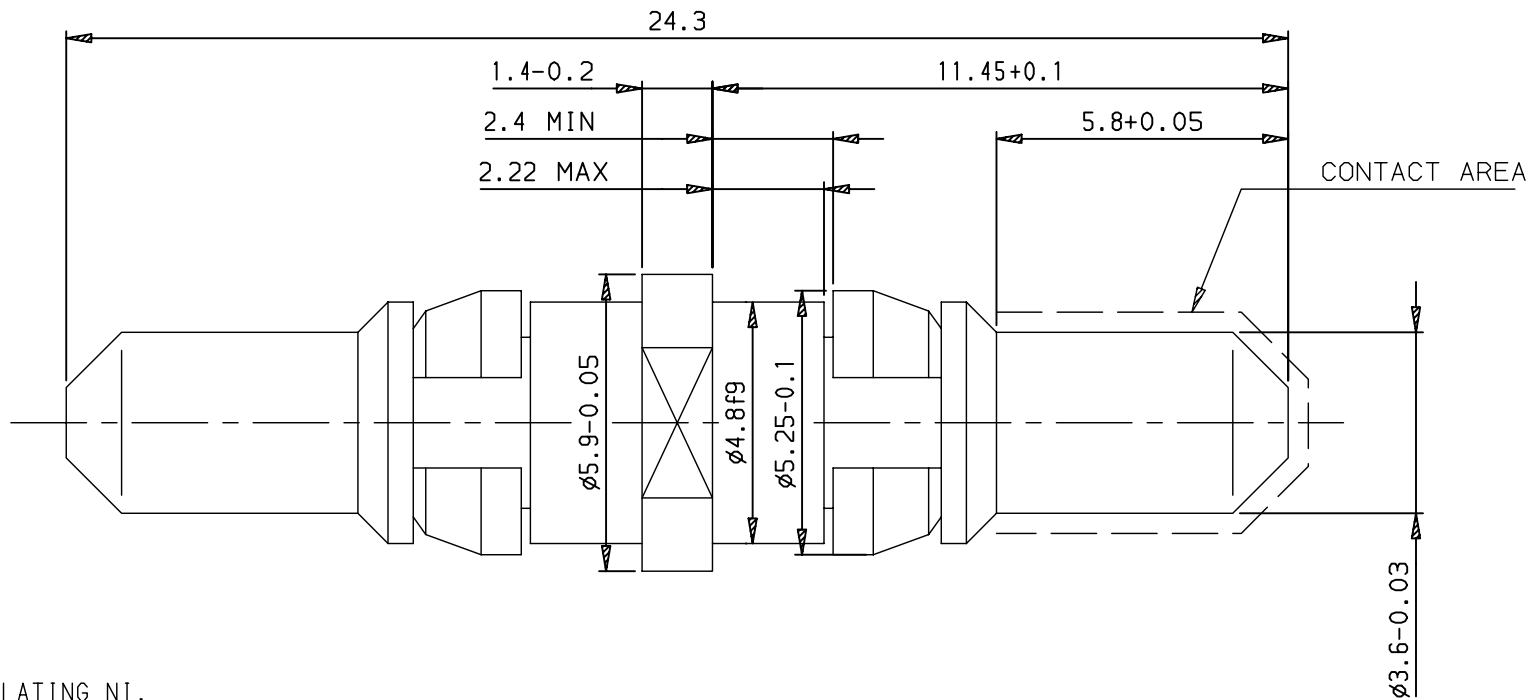
1	1.3 μm Au MIN
PLATING CODE X	CONTACT AREA

European Views

www.fciconnect.com		surface ISO 1302 ✓	tolerance std ISO 406 ISO 1101	projection A3	mm
TOLERANCES UNLESS OTHERWISE SPECIFIED					
Dr	GOISNARD	2006/03/06	ANGULAR	0.X ±0.1	size A3 Scale 6
Eng	GOISNARD	2006/03/06	LINEAR	0.XX ±0.1	
Chr	LEGARE	2006/03/06	0.XX' ±2'	0.XXX ±0.1	ECN LS07-0249
Appr	LEGARE	2006/03/06	Product family	BACKPANEL	Spec ref -
FCj		title POWER INSERT FEMALE STRAIGHT S.T.W		dwg no 77428	Rev. K
		catalog no	CUSTOMER		sheet 5 of 7

REV F - 2006-04-17

LEAD-FREE P/N
77428-X06LF



NOTES:

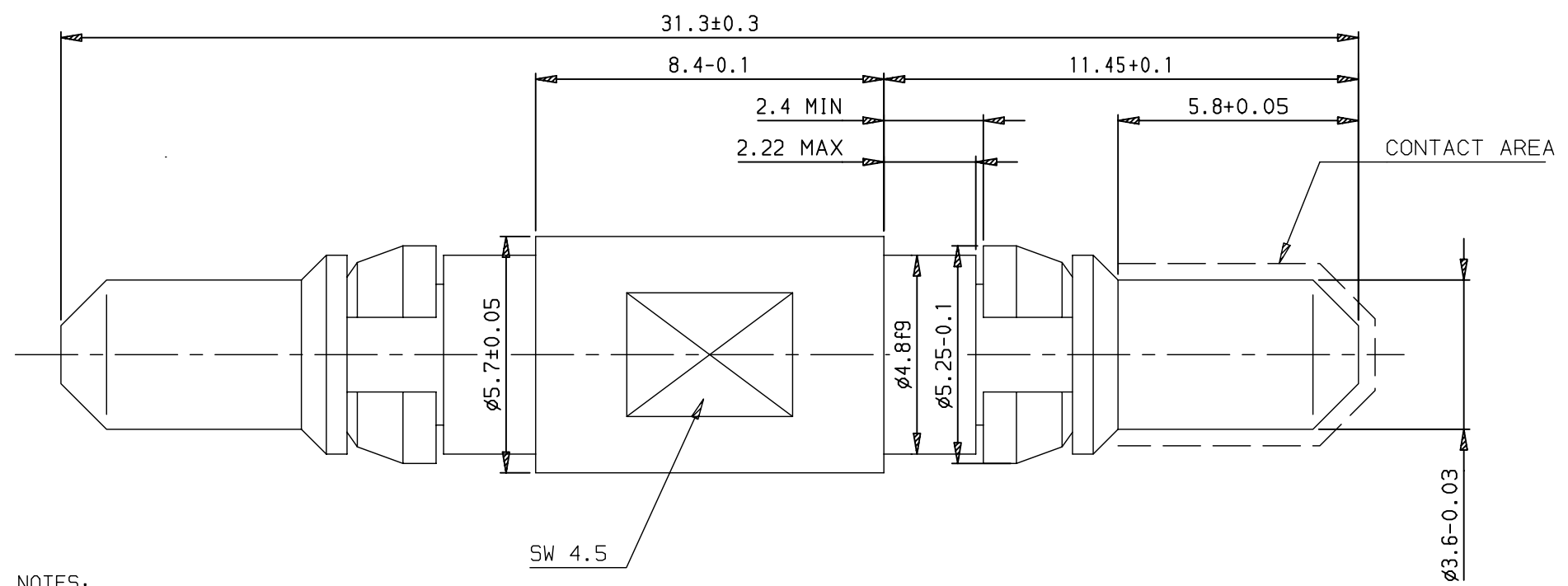
1. UNDERPLATING NI.
2. DIM. ACC. DIN 41626.
3. GEN. TOL. ±0.10
4. THIS PRODUCT WITH "LF" SUFFIX MEETS EUROPEAN UNION DIRECTIVES AND OTHER COUNTRY REGULATIONS AS DESCRIBED IN GS -22-008.
5. THE PRODUCT IS NOT INTENDED TO BE EXPOSED TO A MANUFACTURING SOLDER PROCESS.
6. PACKAGING SPEC: SEE GS-14-920

1	1.3 μm Au MIN
PLATING CODE X	CONTACT AREA

www.fciconnect.com		surface ISO 1302 ✓	tolerance std ISO 406 ISO 1101	projection ⊕	mm
TOLERANCES UNLESS OTHERWISE SPECIFIED					
Dr	GOISNARD	2006/03/06	ANGULAR	0.X	±0.1
Eng	GOISNARD	2006/03/06	LINEAR	0.XX	±0.1
Chr	LEGARE	2006/03/06	0.XX' ±2'	0.XXX	±0.1
Appr	LEGARE	2006/03/06	Product family	BACKPANEL	Spec ref -
			POWER COUPLER MALE SHORT		title 77428 catalog no -
			size A3 ECN LS07-0249		Scale 10
			Rev. K		sheet 6 of 7

REV F - 2006-04-17

LEAD-FREE P/N
77428-X07LF



- NOTES:
1. UNDERPLATING NI.
 2. DIM. ACC. DIN 41626.
 3. GEN. TOL. ±0.10
 4. THIS PRODUCT WITH "LF" SUFFIX MEETS EUROPEAN UNION DIRECTIVES AND OTHER COUNTRY REGULATIONS AS DESCRIBED IN GS -22-008.
 5. THE PRODUCT IS NOT INTENDED TO BE EXPOSED TO A MANUFACTURING SOLDER PROCESS.
 6. PACKAGING SPEC: SEE GS-14-920

1	1.3 μm Au MIN
PLATING CODE X	CONTACT AREA

European Views

www.fciconnect.com		surface ISO 1302 ✓	tolerance std ISO 406 ISO 1101	projection mm
TOLERANCES UNLESS OTHERWISE SPECIFIED				
Dr	GOISNARD	2006/03/06	ANGULAR	LINEAR
Eng	GOISNARD	2006/03/06	0.X	±0.1
Chr	LEGARE	2006/03/06	0.XX	±0.1
Appr	LEGARE	2006/03/06	0.XXX	±0.1
Product family		BACKPANEL		size A3
Spec ref		-		Scale 10
title		POWER COUPLER		ECN LS07-0249
MALE LONG		-		Rev. K
catalog no		-		dwg no 77428
CUSTOMER		sheet 7 of 7		

REV F - 2006-04-17