



Chipsmall Limited consists of a professional team with an average of over 10 year of expertise in the distribution of electronic components. Based in Hongkong, we have already established firm and mutual-benefit business relationships with customers from,Europe,America and south Asia,supplying obsolete and hard-to-find components to meet their specific needs.

With the principle of "Quality Parts,Customers Priority,Honest Operation,and Considerate Service",our business mainly focus on the distribution of electronic components. Line cards we deal with include Microchip,ALPS,ROHM,Xilinx,Pulse,ON,Everlight and Freescale. Main products comprise IC,Modules,Potentiometer,IC Socket,Relay,Connector.Our parts cover such applications as commercial,industrial, and automotives areas.

We are looking forward to setting up business relationship with you and hope to provide you with the best service and solution. Let us make a better world for our industry!



Contact us

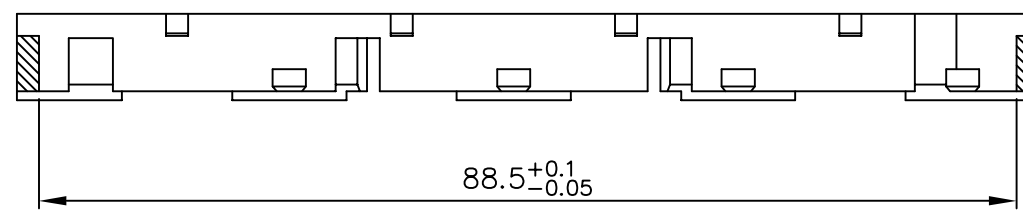
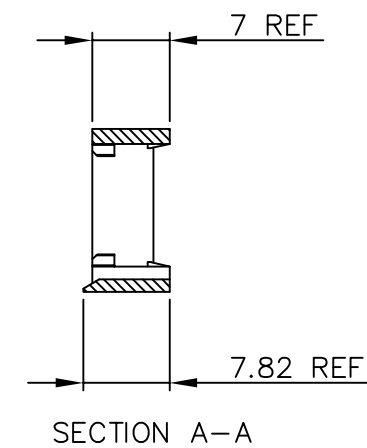
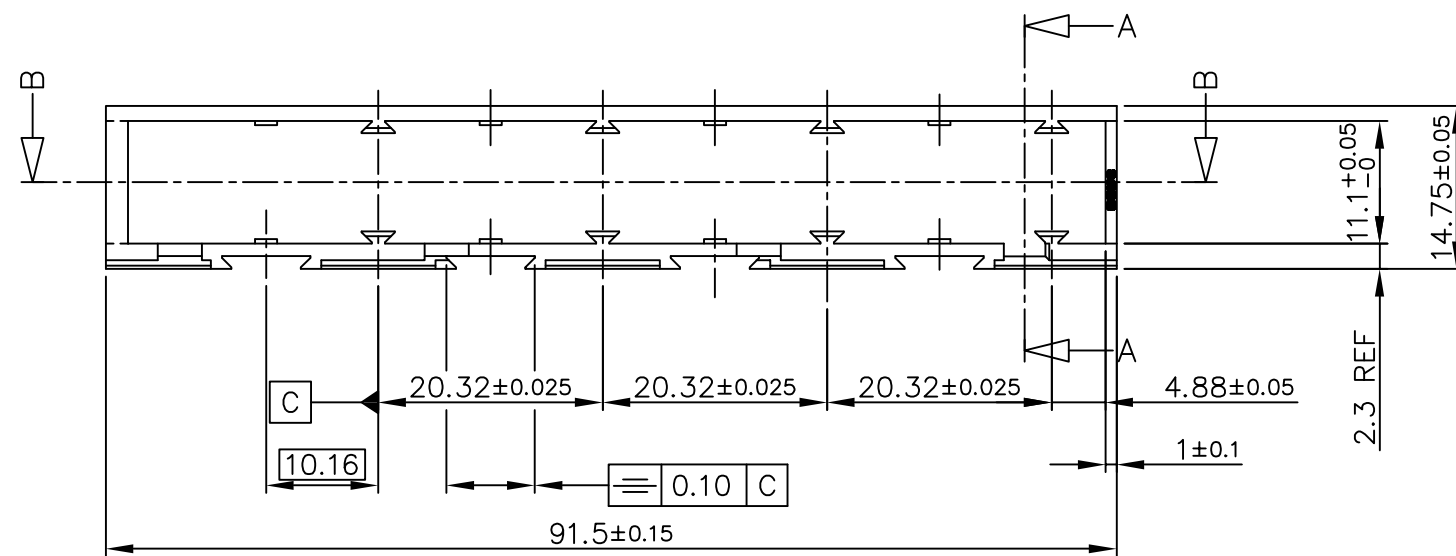
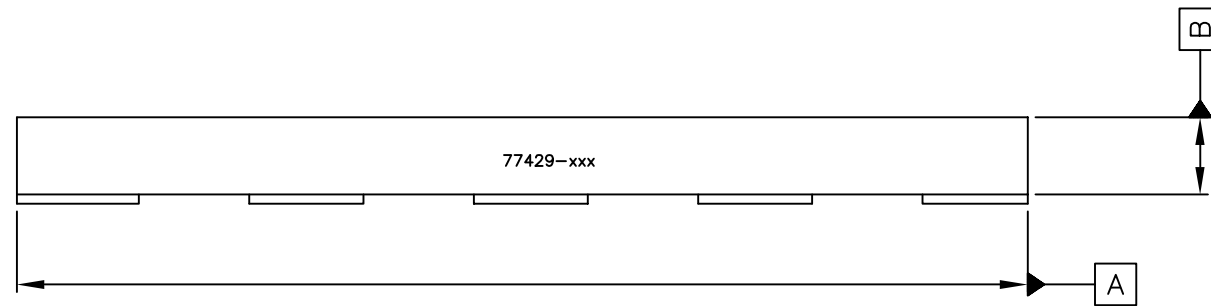
Tel: +86-755-8981 8866 Fax: +86-755-8427 6832

Email & Skype: info@chipsmall.com Web: www.chipsmall.com

Address: A1208, Overseas Decoration Building, #122 Zhenhua RD., Futian, Shenzhen, China



| PRODUCT NUMBER | COLOUR |
|----------------|----------------|
| 77429-001 | BLACK RAL 9005 |
| 77429-002 | GREY RAL 7035 |



NOTE:

1. MATERIAL : MODIFIED POLYPHENYLENE OXIDE; FLAMMABILITY PER UL-94-V1
2. THIS PRODUCT MEETS EUROPEAN UNION DIRECTIVES AND OTHER COUNTRY REGULATIONS AS DESCRIBED IN GS-22-008.
3. LEADFREE OR RoHS DIRECTIVE LABELLING TO BE PROVIDED AS PER GS-14-920.
4. "LF" SUFFIX TO THE PRODUCT NUMBER FOR RoHS COMPATIBLE/LEADFREE VERSION.
5. PARTS WITH AND WITHOUT "LF" SUFFIX ARE FORM-FIT AND FUNCTIONALLY IDENTICAL. "LF" SUFFIX PROVIDED FOR PART NUMBER STANDARDISATION OF PART THAT MEETS RoHS REQUIREMENTS.

| | | | | | | | | | |
|-------------|----------------|----------|------------|---------------------------------------|---------------|------------|-----|-------------------------------------|------|
| mat'l. code | | surface | | tolerance | | projection | | product family | |
| SEE NOTE 1 | | ISO 1302 | | ISO 406 ISO 1101 | | mm | | BACKPANEL | |
| ltr | ecn no | dr | date | tolerances unless otherwise specified | | mm | | title | |
| A | H80467 | LGI | 1998-07-23 | angles | linear | scale 1:1 | | REVERSE LOCKING FRAME TRIPLE ROW | |
| B | F00406 | LLA | 2000-05-22 | | | | | dwg no | |
| C | I06-0082 | MINI | 2006-06-01 | | | | | sheet 1 of 1 | |
| D | I07-0021 | KR | 2007-02-09 | dr | D.LEGRAND | 2000-10-10 | FCJ | | size |
| | | | | enr | J.F.NOTTEAU | 2000-10-10 | | | A3 |
| | | | | chr | RAKHEE GEORGE | 2007-02-09 | | | |
| | | | | appd | RAKHEE GEORGE | 2007-02-09 | | | |
| sheet index | revision sheet | D | 1 | | | | | type Product Customer Drawing | |