



Chipsmall Limited consists of a professional team with an average of over 10 year of expertise in the distribution of electronic components. Based in Hongkong, we have already established firm and mutual-benefit business relationships with customers from,Europe,America and south Asia,supplying obsolete and hard-to-find components to meet their specific needs.

With the principle of “Quality Parts,Customers Priority,Honest Operation,and Considerate Service”,our business mainly focus on the distribution of electronic components. Line cards we deal with include Microchip,ALPS,ROHM,Xilinx,Pulse,ON,Everlight and Freescale. Main products comprise IC,Modules,Potentiometer,IC Socket,Relay,Connector.Our parts cover such applications as commercial,industrial, and automotives areas.

We are looking forward to setting up business relationship with you and hope to provide you with the best service and solution. Let us make a better world for our industry!



Contact us

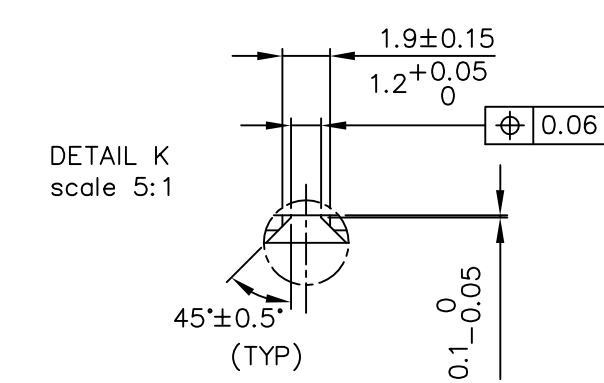
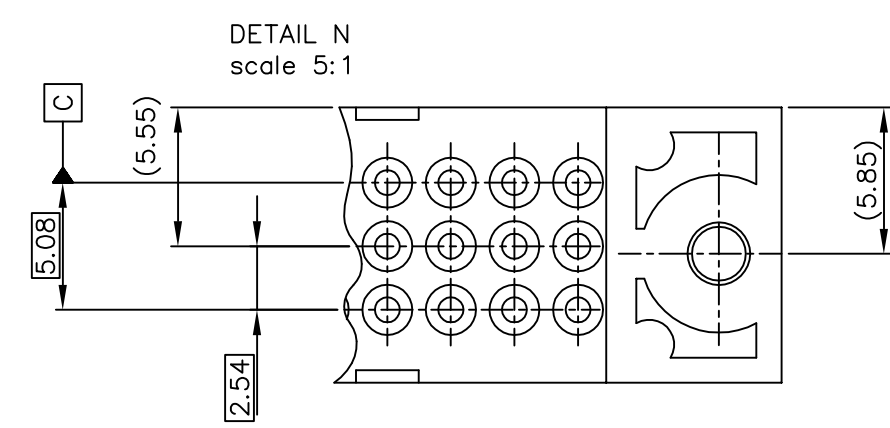
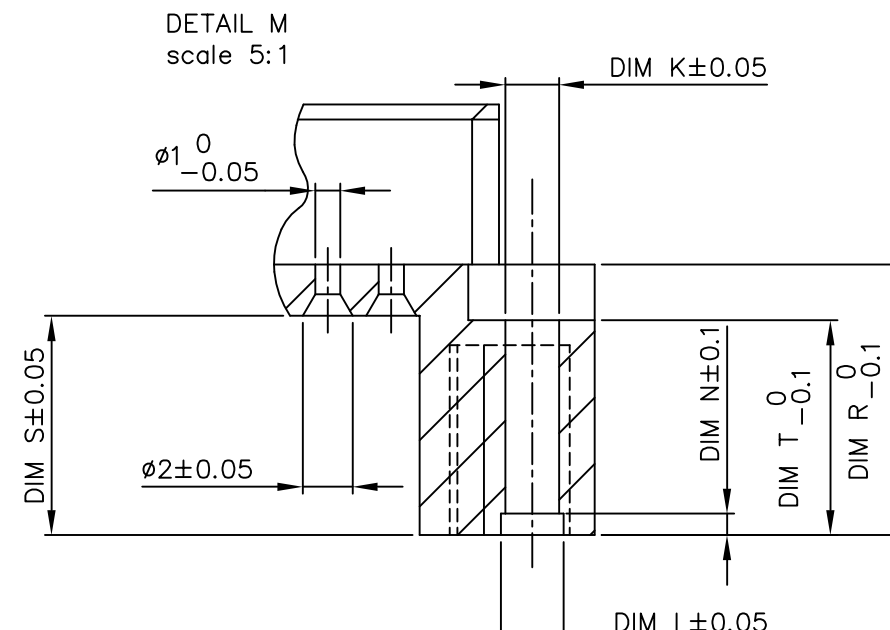
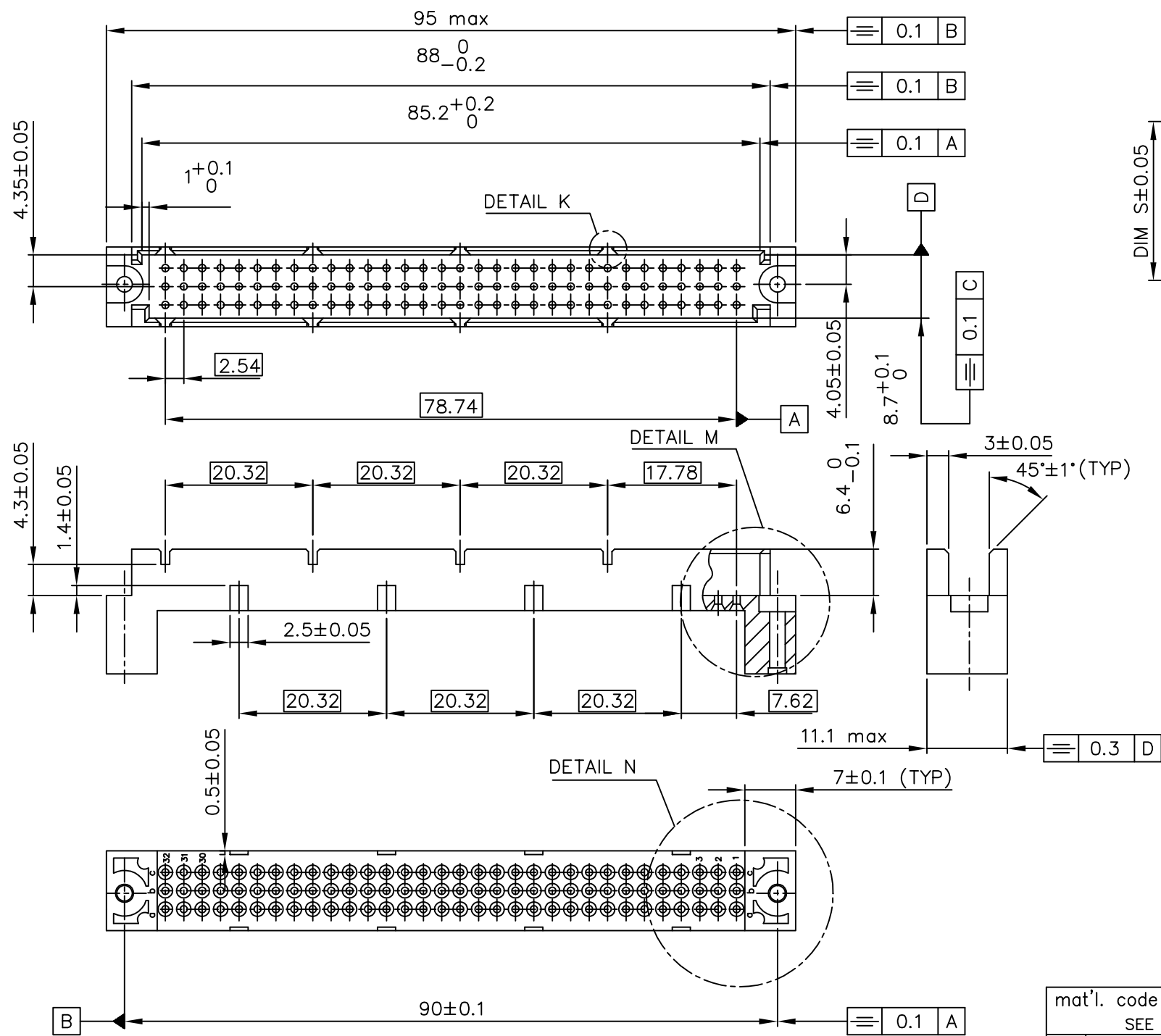
Tel: +86-755-8981 8866 Fax: +86-755-8427 6832

Email & Skype: info@chipsmall.com Web: www.chipsmall.com

Address: A1208, Overseas Decoration Building, #122 Zhenhua RD., Futian, Shenzhen, China



PRODUCT NO	DIM R	DIM S	DIM T	DIM K	DIM L	DIM N	PIN LENGTH	PCB THICKNESS	RECOMMENDED SCREW LENGTH
77430-001	10.80	8.75	8.58	2.15	2.5	0.85	19 mm	3.20	12-15mm
77430-002	12.40	10.35	10.18	2.15	2.5	0.85	19 mm	1.60	10-12mm
77430-003	11.80	9.75	9.58	2.85	2.85	0	20 mm	3.20	--



- NOTES:-
- THIS PRODUCT MEETS EUROPEAN UNION DIRECTIVES AND OTHER COUNTRY REGULATIONS AS DESCRIBED IN GS-22-008.
 - LEADFREE OR RoHS DIRECTIVE LABELLING TO BE PROVIDED AS PER GS-14-920.
 - " LF " SUFFIX TO PRODUCT NUMBER FOR RoHS COMPATIBLE/ LEADFREE VERSION.
 - PARTS WITH AND WITHOUT "LF " SUFFIX ARE FORM-FIT AND FUNCTIONALLY IDENTICAL. " LF " SUFFIX PROVIDED FOR PART NUMBER STANDARDISATION OF PART THAT MEETS RoHS REQUIREMENTS.

- MATERIAL: THERMOPLASTIC POLYESTER, FLAME RETARDANT PER UL-94-V0; COLOUR: GREY
- MOUNTING HOLES SUITED FOR SELF-TAPPING SCREWS M2.5 FOR RECOMMENDED LENGTH SEE TABLE

mat'l. code		surface		tolerance		projection		product family	
SEE NOTE		ISO 1302		ISO 406 ISO 1101		mm		BACKPANEL	
ltr	ecn no	dr	date	tolerances unless otherwise specified		mm		title	
D	H40675	DDB	1994-10-28	angles	linear	mm		SHROUD STAND-OFF	
E	F00406	LLA	2000-05-22			scale -			
F	I05-0123	MINI	2005-07-27						
G	I05-0248	MINI	2005-11-22	dr	D.LEGRAND	2000-10-10		dwg no	
H	I06-0082	MINI	2006-06-01	engr	J.F.NOTTEAU	2000-10-10		sheet 1 of 1 size	
				chr	RAKHEE GEORGE	2006-06-01		77430 A3	
				appd	RAKHEE GEORGE	2006-06-01		type Product Customer Drawing	
sheet index	revision sheet	H	1						