



Chipsmall Limited consists of a professional team with an average of over 10 year of expertise in the distribution of electronic components. Based in Hongkong, we have already established firm and mutual-benefit business relationships with customers from,Europe,America and south Asia,supplying obsolete and hard-to-find components to meet their specific needs.

With the principle of "Quality Parts,Customers Priority,Honest Operation,and Considerate Service",our business mainly focus on the distribution of electronic components. Line cards we deal with include Microchip,ALPS,ROHM,Xilinx,Pulse,ON,Everlight and Freescale. Main products comprise IC,Modules,Potentiometer,IC Socket,Relay,Connector.Our parts cover such applications as commercial,industrial, and automotives areas.

We are looking forward to setting up business relationship with you and hope to provide you with the best service and solution. Let us make a better world for our industry!



Contact us

Tel: +86-755-8981 8866 Fax: +86-755-8427 6832

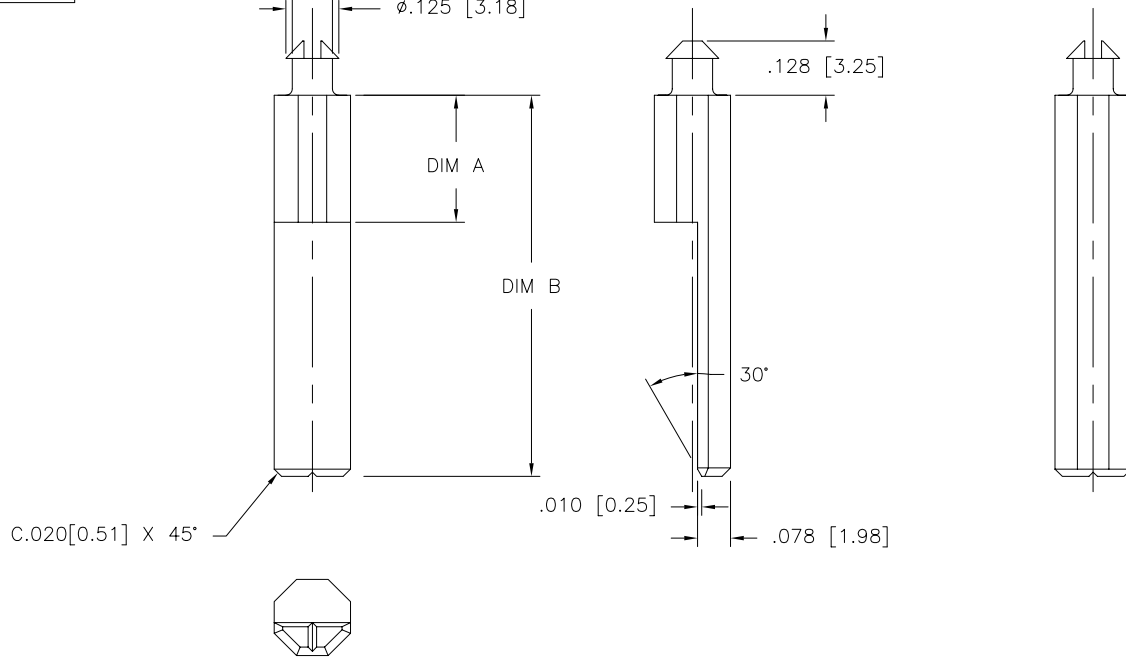
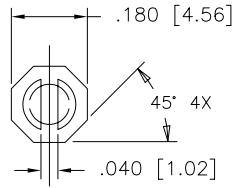
Email & Skype: info@chipsmall.com Web: www.chipsmall.com

Address: A1208, Overseas Decoration Building, #122 Zhenhua RD., Futian, Shenzhen, China



PRODUCT NO.	DIM A	DIM B
77549-001	.065/1.65	.275/6.99
77549-001LF		
77549-002	.300/7.62	.900/22.86
77549-002LF		
77549-003	.450/11.43	.770/19.56
77549-003LF		
77549-004	.065/1.65	.310/7.87
77549-004LF		

OBSOLETE
OBSOLETE



NOTES:

- MATERIAL: NYLON, FLAME RETARDANT PER UL94V-0, COLOR: BLUE
- ADD AN LF SUFFIX TO PART NUMBERS FOR PRODUCT THAT MEETS EUROPEAN UNION DIRECTIVES AND OTHER COUNTRY REGULATIONS AS DESCRIBED IN GS-22-008.
- THIS PRODUCT IS NOT INTENDED TO BE EXPOSED TO MANUFACTURING SOLDER PROCESSES.

mat'l. code		surface		tolerance		projection		product family	
NOTE 1		ISO 1302 ✓		ISO 406 ISO 1101				HPC	
ltr	ecn	no	dr	date		tolerances unless otherwise specified		title	
F	v90010	SAR	1/18/99	angles	linear	.XX±.01/.3		8 POSITION MATING ORIENTATION INSERT	
G	v00717	LSS	3/22/00	0'±2'		.XXX±.005/.13		INCH/MM	
H	v05-0964	HTB	10/18/05			.XXXX±.0020/.051		scale 1:1	
J	M06-0283	MHT	7/27/06	dr	L.SANDERS	3/22/00		dwg no	
				enr	M.GRAY	3/22/00		sheet 1 of 1 size	
				chr	M.GRAY	3/22/00		77549 A3	
				appd	M.GRAY	3/22/00		type Product Customer Drawing	
sheet	revision	J							
index	sheet	1							



FCIconnect.com

Copyright FCI