



Chipsmall Limited consists of a professional team with an average of over 10 year of expertise in the distribution of electronic components. Based in Hongkong, we have already established firm and mutual-benefit business relationships with customers from,Europe,America and south Asia,supplying obsolete and hard-to-find components to meet their specific needs.

With the principle of “Quality Parts,Customers Priority,Honest Operation,and Considerate Service”,our business mainly focus on the distribution of electronic components. Line cards we deal with include Microchip,ALPS,ROHM,Xilinx,Pulse,ON,Everlight and Freescale. Main products comprise IC,Modules,Potentiometer,IC Socket,Relay,Connector.Our parts cover such applications as commercial,industrial, and automotives areas.

We are looking forward to setting up business relationship with you and hope to provide you with the best service and solution. Let us make a better world for our industry!



## Contact us

Tel: +86-755-8981 8866 Fax: +86-755-8427 6832

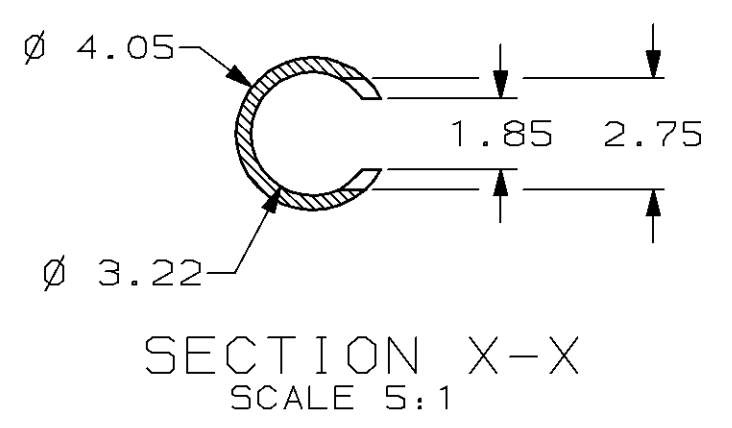
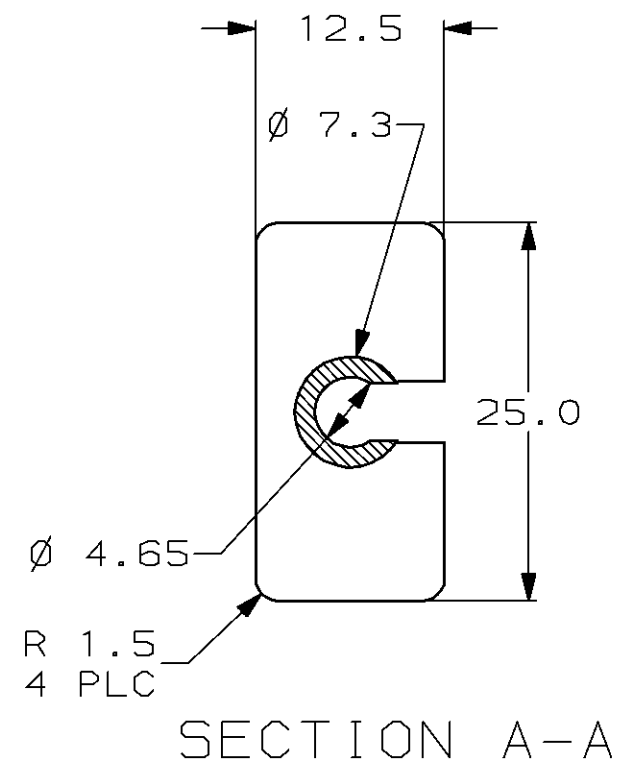
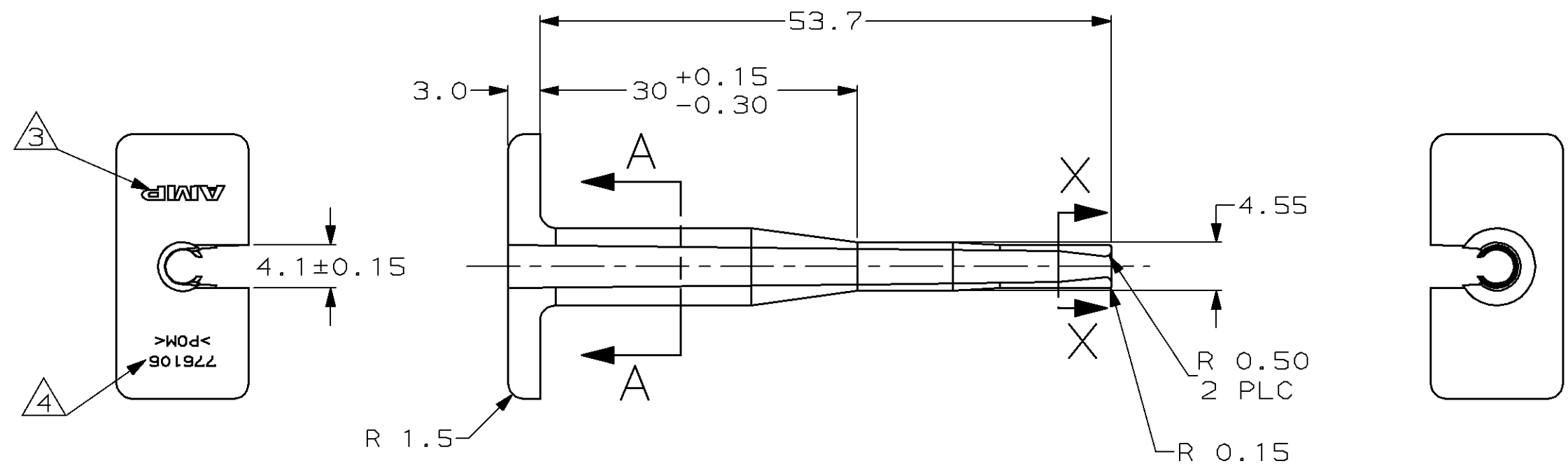
Email & Skype: info@chipsmall.com Web: www.chipsmall.com

Address: A1208, Overseas Decoration Building, #122 Zhenhua RD., Futian, Shenzhen, China



THIS DRAWING IS UNPUBLISHED. RELEASED FOR PUBLICATION ,19 .  
 © COPYRIGHT 19 BY AMP INCORPORATED. ALL RIGHTS RESERVED.

LOC	DIST	REVISIONS			
P	LTR	DESCRIPTION	DATE	DWN	APVD
GE	55				
	0	PR 96025 - WAS 94-6901-111	12-17-96	PY	WL
	A	REV PER EC# 0K80-0056-98	4-6-98	PC	WL



- TOOL IS FOR USE WITH SOCKET CONTACT ASSEMBLY P/N 776093-1 AND PIN P/N 95-6901-12.
- MATERIAL : ACETAL (DELIN), COLOR: RED
- AMP LOGO SHALL BE LOCATED APPROXIMATELY AS SHOWN.
- APPLY POLYMER I.D. CHARACTERS AND PART NUMBER CHARACTERS LOCATED APPROXIMATELY AS SHOWN.

776106-1  
PART NUMBER

THIS DRAWING IS A CONTROLLED DOCUMENT.		DWN P. YEAGER	12-17-96	<b>AMP</b> AMP Incorporated Harrisburg, PA 17105-3608											
DIMENSIONS: mm		CHK W. LONG	12-17-96												
TOLERANCES UNLESS OTHERWISE SPECIFIED:		APVD W. LONG	12-17-96	NAME  EXTRACTION TOOL											
<table border="0"> <tr><td>0 PLC</td><td>±-</td></tr> <tr><td>1 PLC</td><td>±0.3</td></tr> <tr><td>2 PLC</td><td>±0.10</td></tr> <tr><td>3 PLC</td><td>±-</td></tr> <tr><td>4 PLC</td><td>±-</td></tr> <tr><td>ANGLES</td><td>±1°</td></tr> </table>		0 PLC	±-		1 PLC	±0.3	2 PLC	±0.10	3 PLC	±-	4 PLC	±-	ANGLES	±1°	PRODUCT SPEC
0 PLC	±-														
1 PLC	±0.3														
2 PLC	±0.10														
3 PLC	±-														
4 PLC	±-														
ANGLES	±1°														
MATERIAL		APPLICATION SPEC	-	SIZE											
<table border="0"> <tr><td>2</td></tr> </table>		2	FINISH	-	WEIGHT										
2															
CUSTOMER DRAWING		A3 00779 C-776106		RESTRICTED TO											
SCALE 2:1		SHEET 1 OF 1		REV A											