



Chipsmall Limited consists of a professional team with an average of over 10 year of expertise in the distribution of electronic components. Based in Hongkong, we have already established firm and mutual-benefit business relationships with customers from,Europe,America and south Asia,supplying obsolete and hard-to-find components to meet their specific needs.

With the principle of “Quality Parts,Customers Priority,Honest Operation,and Considerate Service”,our business mainly focus on the distribution of electronic components. Line cards we deal with include Microchip,ALPS,ROHM,Xilinx,Pulse,ON,Everlight and Freescale. Main products comprise IC,Modules,Potentiometer,IC Socket,Relay,Connector.Our parts cover such applications as commercial,industrial, and automotives areas.

We are looking forward to setting up business relationship with you and hope to provide you with the best service and solution. Let us make a better world for our industry!



Contact us

Tel: +86-755-8981 8866 Fax: +86-755-8427 6832

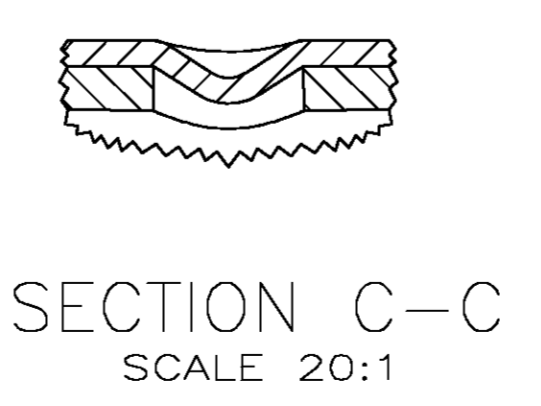
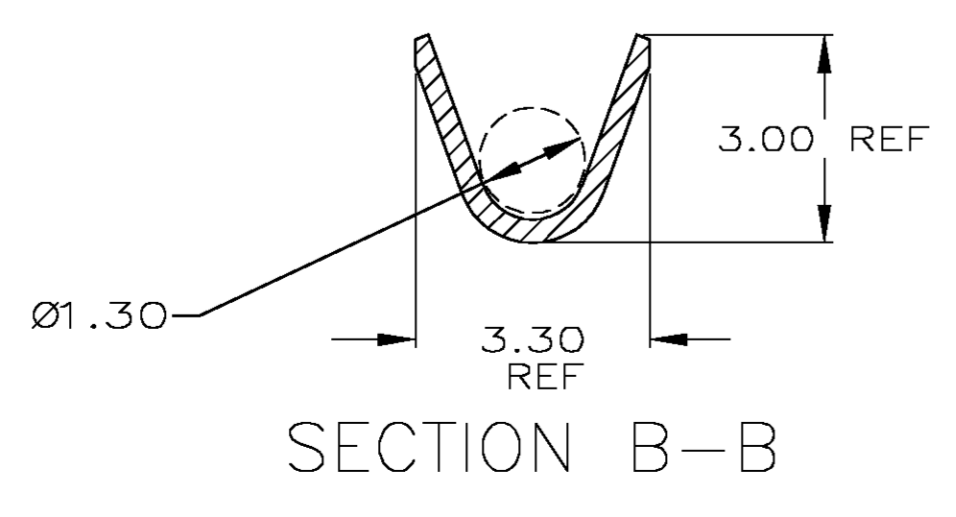
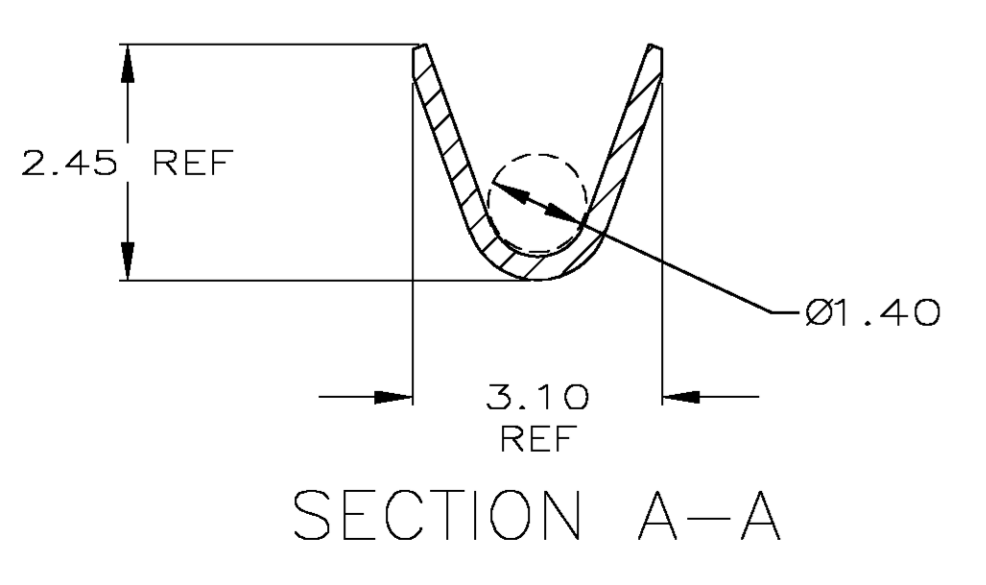
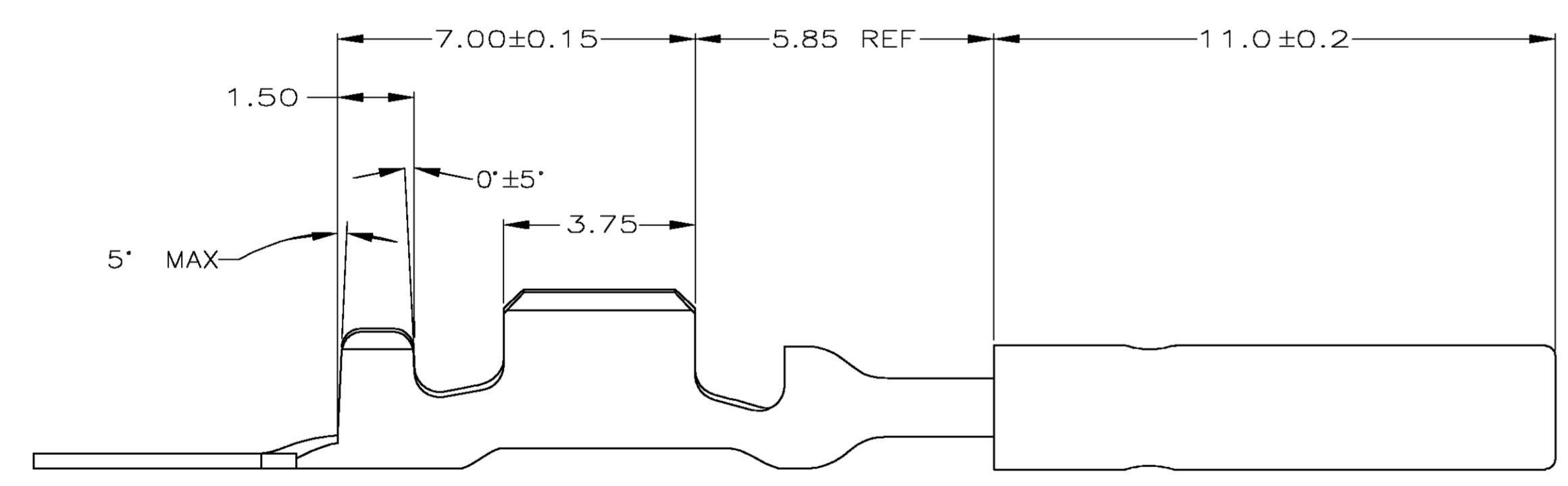
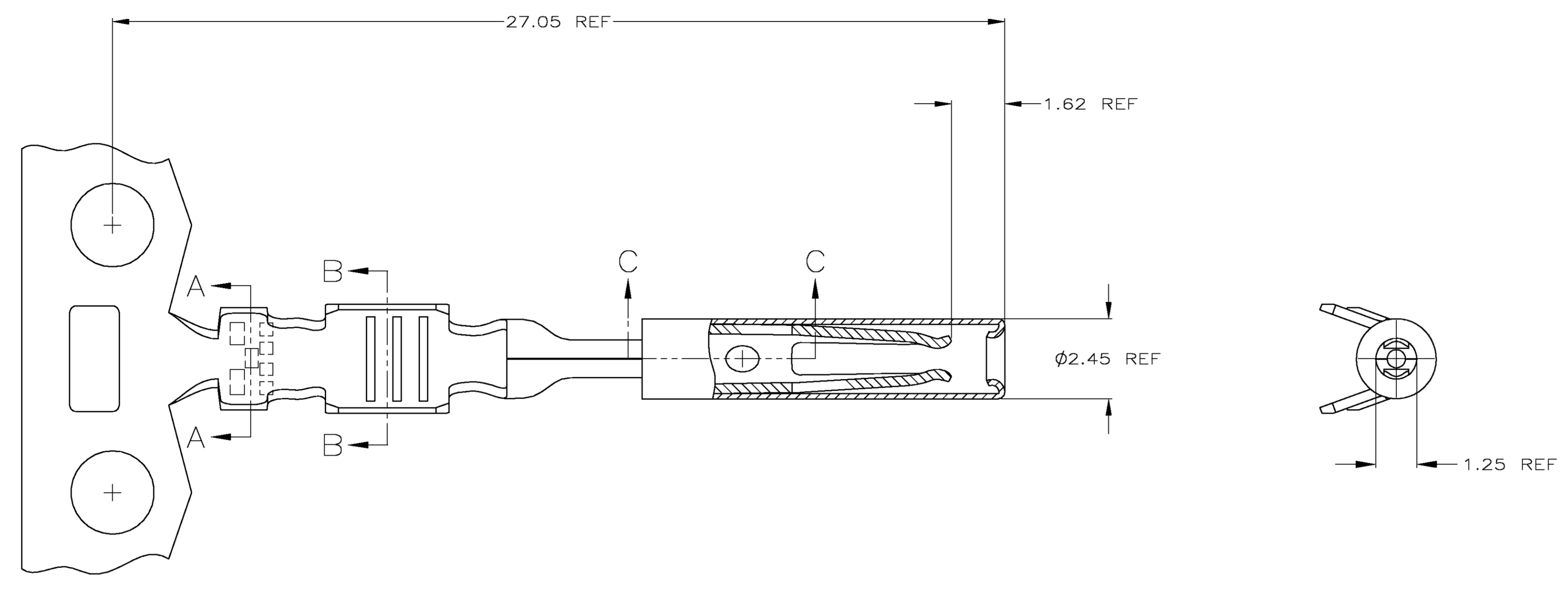
Email & Skype: info@chipsmall.com Web: www.chipsmall.com

Address: A1208, Overseas Decoration Building, #122 Zhenhua RD., Futian, Shenzhen, China



LOC		DIST		REVISIONS			
P	LR	DESCRIPTION	DATE	DRN	APPD		
D1	REV PER	OK40-0406-03	19JUN03	AH	JT		

- 1. NICKEL UNDER PLATE, GOLD PLATED CONTACT AREA WITH TIN PLATING IN WIRE BARREL.
- 2. REELING DIRECTION FOR 776235-1 IS PER AMP 107-3, FIG.2
- 3. REELING DIRECTION FOR 776235-4 IS PER AMP 107-3, FIG.4



567680	776235-4
-	776235-1
APPLICATOR NUMBER	PART NUMBER

THIS DRAWING IS A CONTROLLED DOCUMENT.		DRN P. COLLINS 1-26-98		Tyco Electronics Corporation Harrisburg, PA 17105-3608	
DIMENSIONS:		CHK D. STILLIE 1-26-98		NAME	
TOLERANCES UNLESS OTHERWISE SPECIFIED:		APVD D. SHIELDS 1-26-98	PRODUCT SPEC		
MM		PRODUCT SPEC	108-1805		
0 PLG ± -		APPLICATION SPEC	114-6071		
1 PLG ± 0.3		SIZE	A1	CAGE CODE	DRAWING NO
2 PLG ± 0.10		WEIGHT	-	00779	776235
3 PLG ± 0.013		CUSTOMER DRAWING			
4 PLG ± -		SCALE	10:1	SHEET	1 OF 1
ANGLES ± ± 0°30'		REV	D1		
MATERIAL		RESTRICTED TO			
SLEEVE: CU					
CONTACT: CU ALLOY					