



Chipsmall Limited consists of a professional team with an average of over 10 year of expertise in the distribution of electronic components. Based in Hongkong, we have already established firm and mutual-benefit business relationships with customers from,Europe,America and south Asia,supplying obsolete and hard-to-find components to meet their specific needs.

With the principle of “Quality Parts,Customers Priority,Honest Operation,and Considerate Service”,our business mainly focus on the distribution of electronic components. Line cards we deal with include Microchip,ALPS,ROHM,Xilinx,Pulse,ON,Everlight and Freescale. Main products comprise IC,Modules,Potentiometer,IC Socket,Relay,Connector.Our parts cover such applications as commercial,industrial, and automotives areas.

We are looking forward to setting up business relationship with you and hope to provide you with the best service and solution. Let us make a better world for our industry!



Contact us

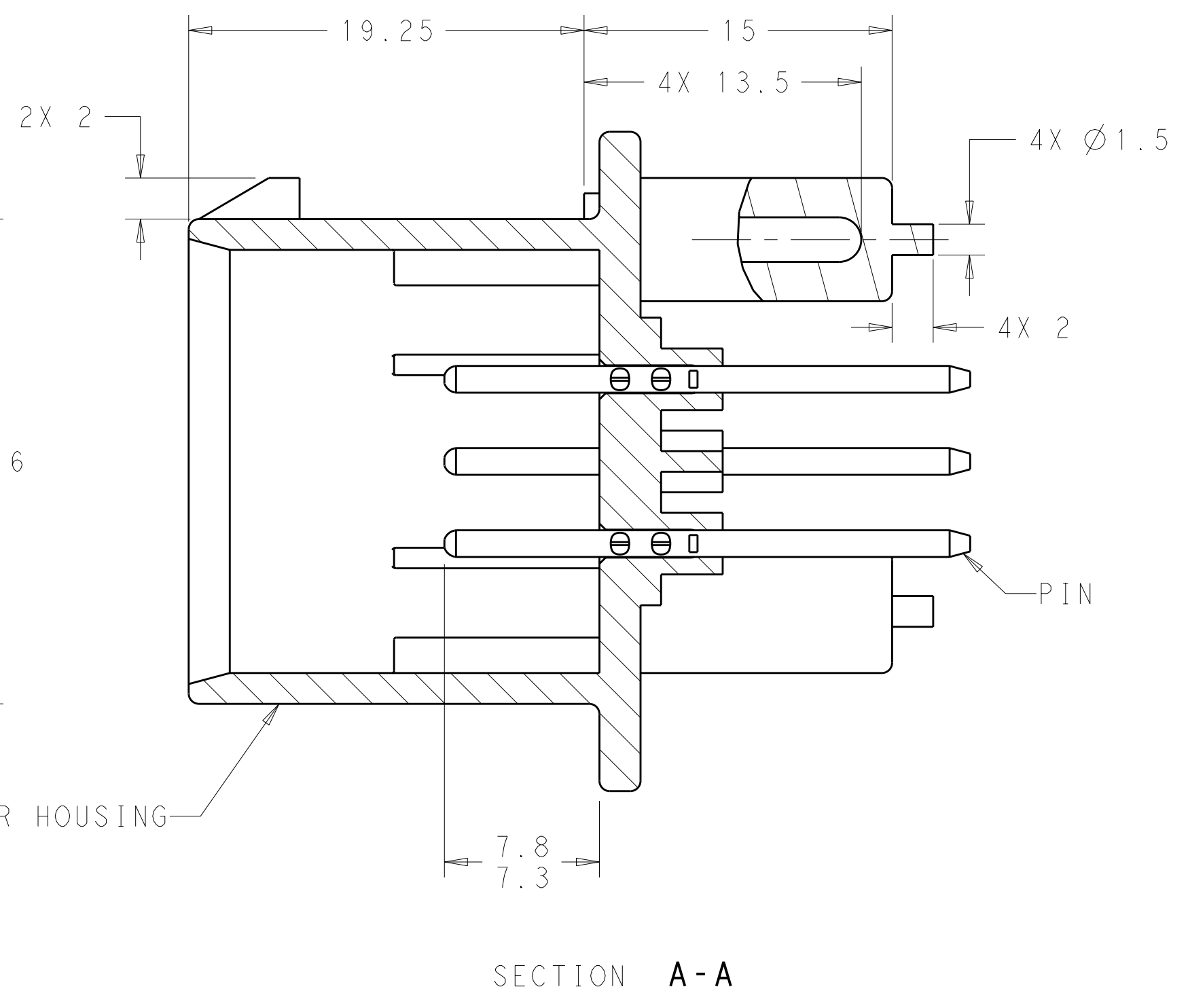
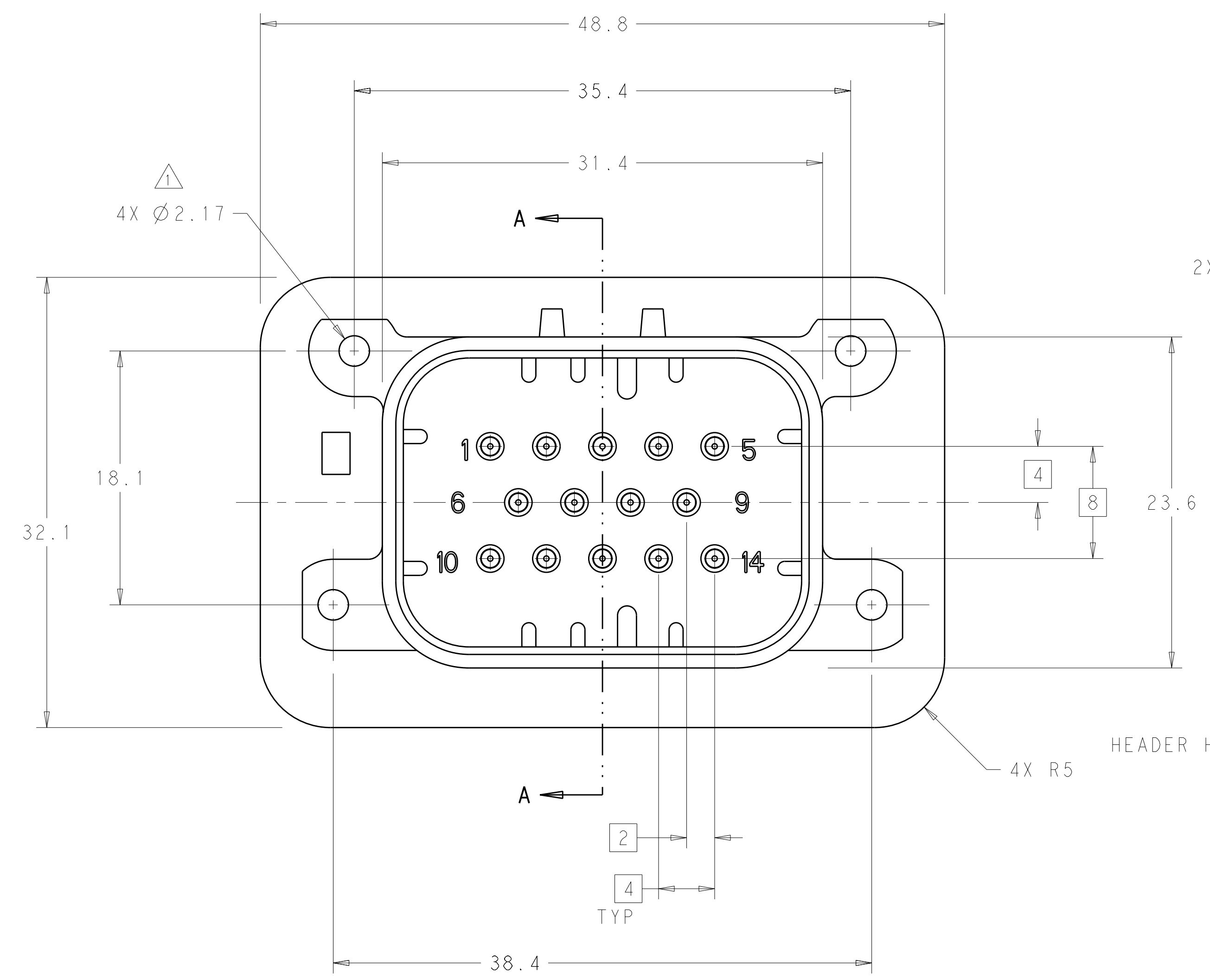
Tel: +86-755-8981 8866 Fax: +86-755-8427 6832

Email & Skype: info@chipsmall.com Web: www.chipsmall.com

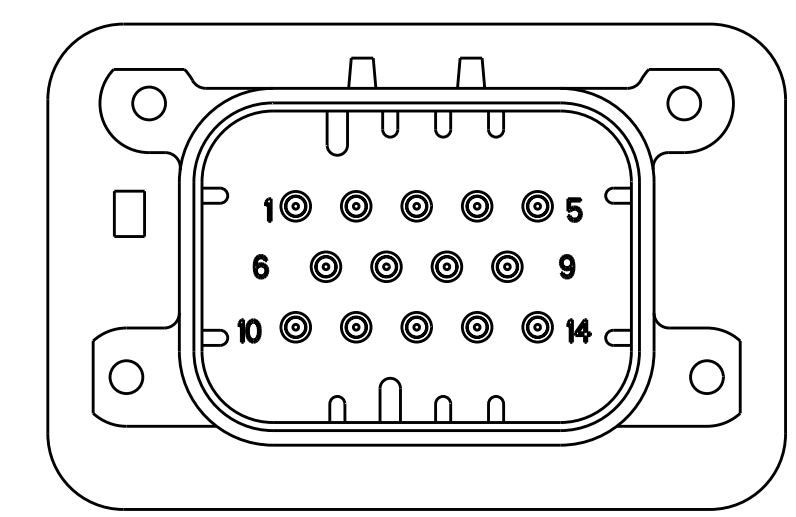
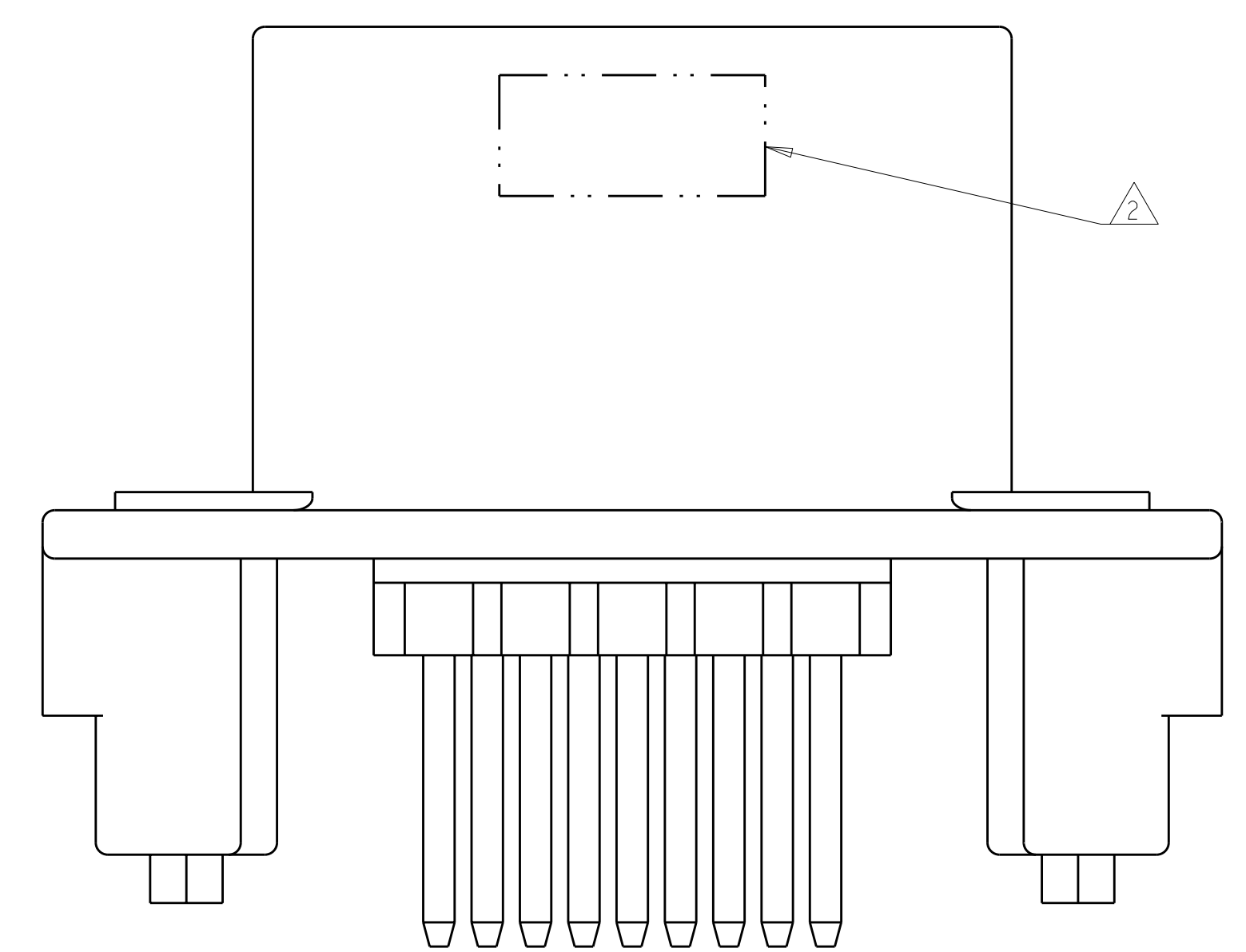
Address: A1208, Overseas Decoration Building, #122 Zhenhua RD., Futian, Shenzhen, China



LOC	DIST	REV	DATE	BY	APPD
GE	00	0	27APR2010	DS	DS
		A1	29MAY2012	DD	DS



- 1 ACCEPTS #4 SELF TAPPING THREAD FORMING SCREWS OR METRIC EQUIVALENT. DRIVE TO 0.6 N-m MAX
- 2 DATE CODE TO BE BRANDED IN THIS LOCATION PER TE SPEC 102-60. USE 5 DIGIT CODE: FIRST 2 DIGITS = YEAR, SECOND 2 DIGITS = WEEK, LAST DIGIT = DAY.
- 3 MATERIALS: HEADER HOUSING - GLASS FILLED PBT
PINS - TIN OR GOLD PLATED BRASS
- 4 HOUSING COLORS ARE MECHANICALLY KEYPED TO MATE ONLY WITH IDENTICALLY COLORED PLUG ASSEMBLIES.
- 5. HEADER MATES TO PLUG ASSEMBLY 776273 WHICH USES REELED TERMINAL 770520 OR LOOSE PIECE TERMINAL 770854



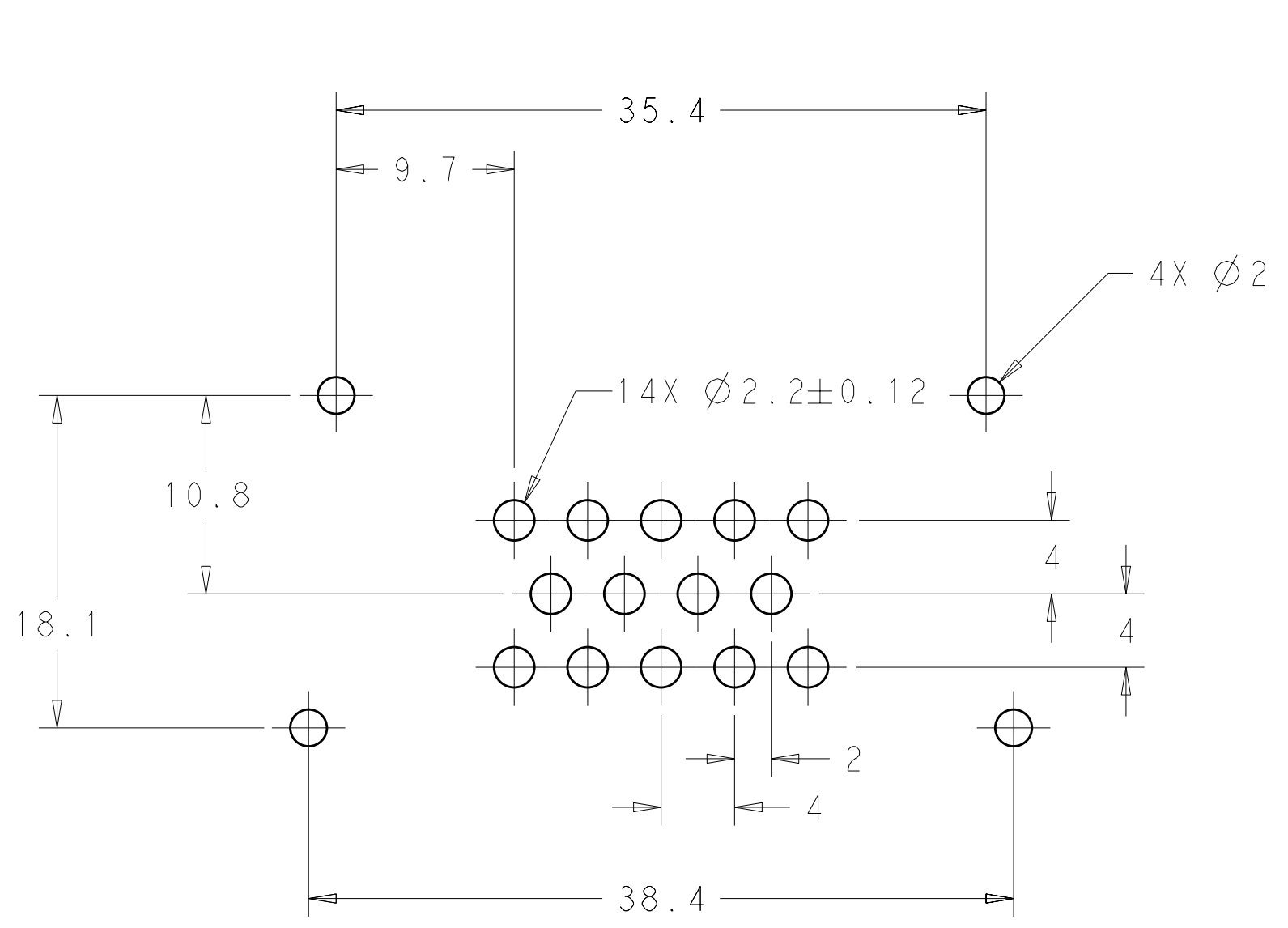
776375-2 AND 1-776375-2
 KEY LOCATION
 SCALE 2:1

776375-1 AND 1-776375-1 SHOWN

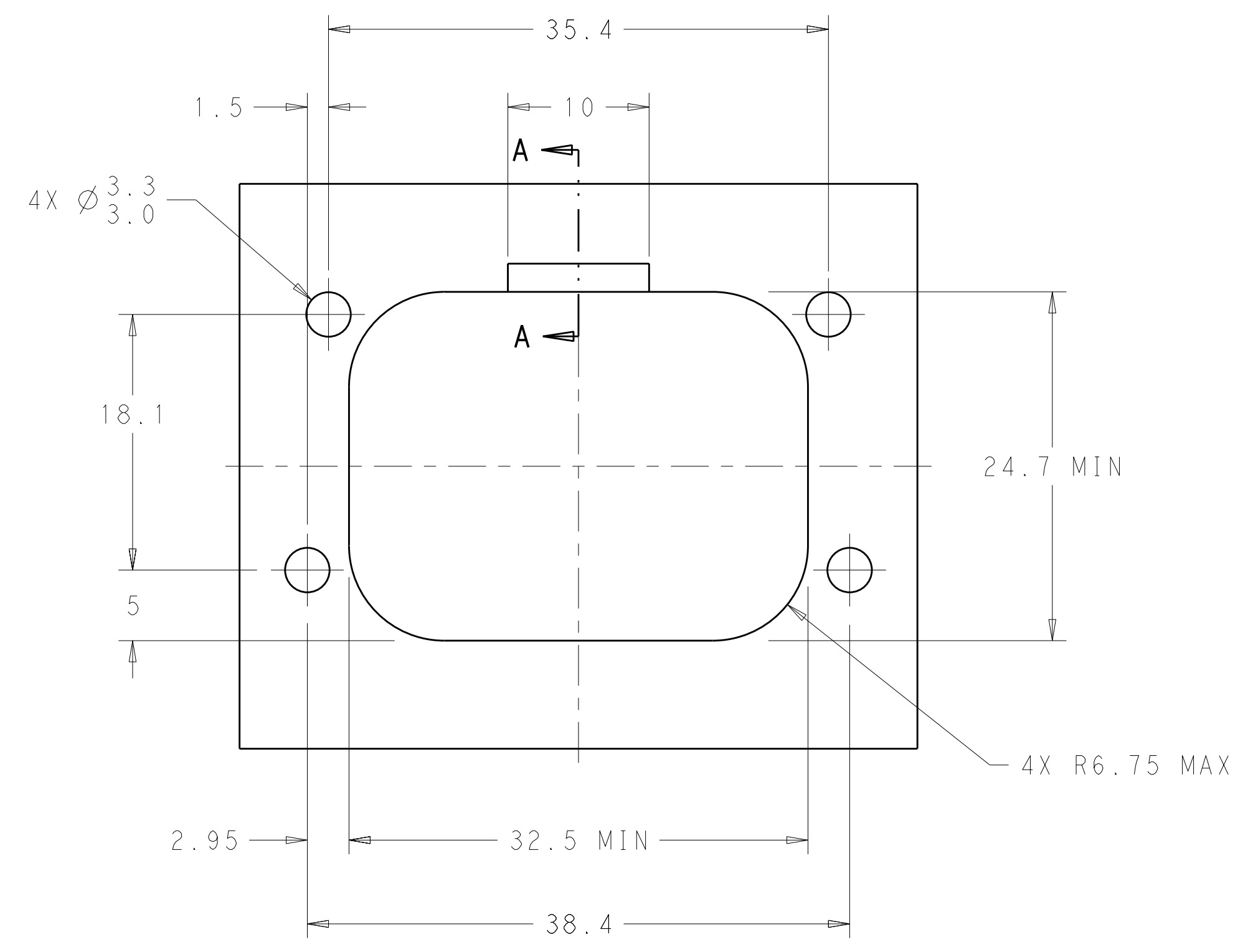
NATURAL	DURAGOLD	1-776375-2
BLACK	DURAGOLD	1-776375-1
NATURAL	TIN	776375-2
BLACK	TIN	776375-1
HEADER COLOR	PLATING	PART NUMBER

THIS DRAWING IS A CONTROLLED DOCUMENT.		DWN D. STRAUSSER 26APR2012	TE Connectivity	
DIMENSIONS: mm		CHK D. STRAUSSER 26APR2012	NAME	
TOLERANCES UNLESS OTHERWISE SPECIFIED:		APVD D. STRAUSSER 26APR2012	PRODUCT SPEC	
0 PLC ± 1 PLC ±0.2 2 PLC ±0.13 3 PLC ± 4 PLC ± ANGLES ±4°		108-1329	APPLICATION SPEC	
MATERIAL		114-16016	SIZE CAGE CODE DRAWING NO	
FINISH		WEIGHT	RESTRICTED TO	
CUSTOMER DRAWING		A100779C=776375	SCALE 2:1 SHEET 1 OF 2 REV A1	

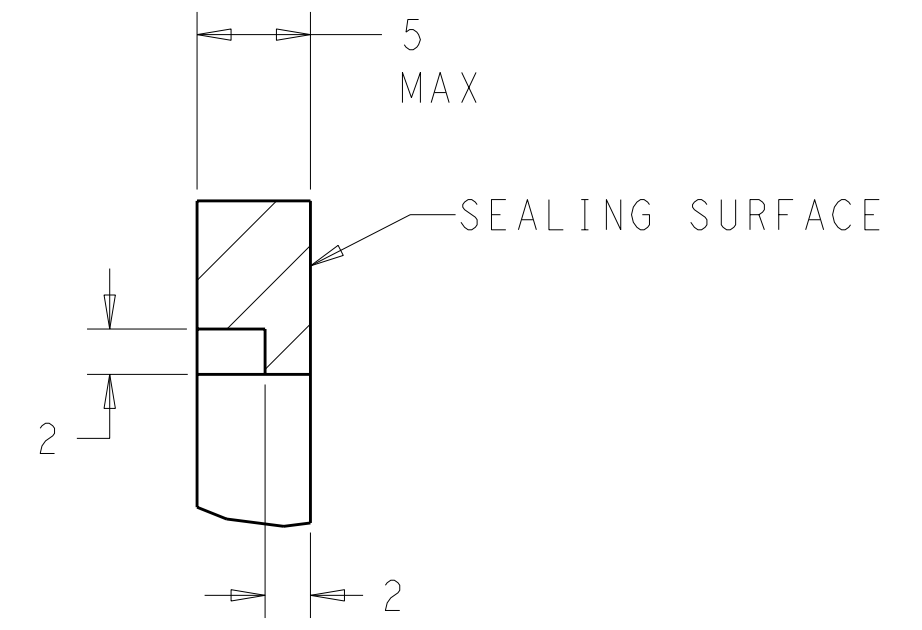
LOC	DIST	REVISIONS			
REV	DATE	DESCRIPTION	DATE	DWN	APVD
GE	00	SEE SHEET 1	-	-	-



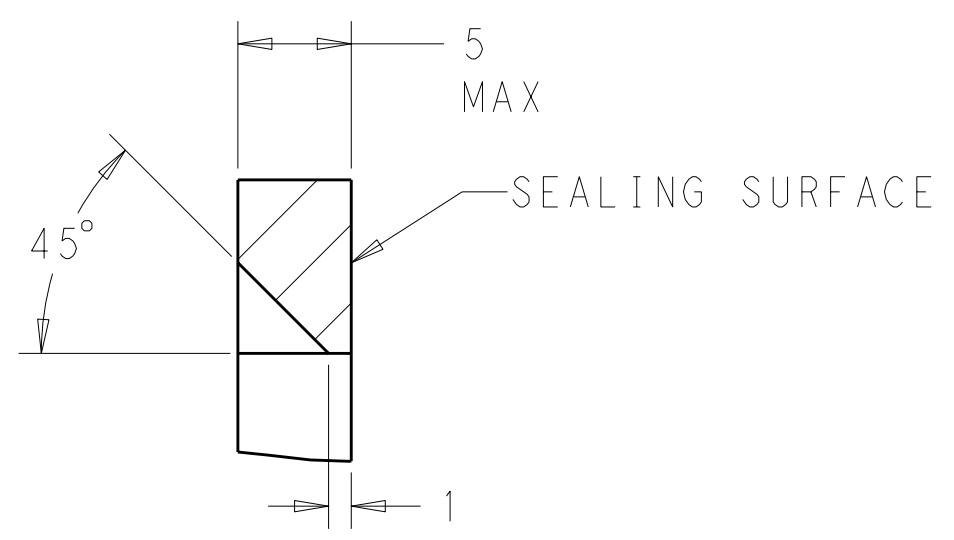
RECOMMENDED P.C. BOARD LAYOUT
 FOR 1.57 THICK P.C. BOARD



RECOMMENDED MOUNTING HOLE LAYOUT
 FOR 5.0 MAX THICK PANEL



SECTION A-A
 OPTIONAL CONSTRUCTION IF PANEL
 THICKNESS IS GREATER THAN 2.0



SECTION A-A
 OPTIONAL CONSTRUCTION IF PANEL
 THICKNESS IS GREATER THAN 2.0

THIS DRAWING IS A CONTROLLED DOCUMENT.		DWN: D. STRAUSSER 26APR2012	TE Connectivity
DIMENSIONS: mm		CHK: D. STRAUSSER 26APR2012	
TOLERANCES UNLESS OTHERWISE SPECIFIED:		APVD: D. STRAUSSER 26APR2012	NAME: 108-1329
0 PLC	±	PRODUCT SPEC	APPLICATION SPEC
1 PLC	±0.2	114-16016	114-16016
2 PLC	±0.13	WEIGHT	WEIGHT
3 PLC	±	FINISH	FINISH
4 PLC	±	CUSTOMER DRAWING	CUSTOMER DRAWING
5 PLC	±	SCALE: 2:1	SHEET 2 OF 2
ANGLES	±4°	RESTRICTED TO	REV A1