



Chipsmall Limited consists of a professional team with an average of over 10 year of expertise in the distribution of electronic components. Based in Hongkong, we have already established firm and mutual-benefit business relationships with customers from,Europe,America and south Asia,supplying obsolete and hard-to-find components to meet their specific needs.

With the principle of “Quality Parts,Customers Priority,Honest Operation,and Considerate Service”,our business mainly focus on the distribution of electronic components. Line cards we deal with include Microchip,ALPS,ROHM,Xilinx,Pulse,ON,Everlight and Freescale. Main products comprise IC,Modules,Potentiometer,IC Socket,Relay,Connector.Our parts cover such applications as commercial,industrial, and automotives areas.

We are looking forward to setting up business relationship with you and hope to provide you with the best service and solution. Let us make a better world for our industry!



Contact us

Tel: +86-755-8981 8866 Fax: +86-755-8427 6832

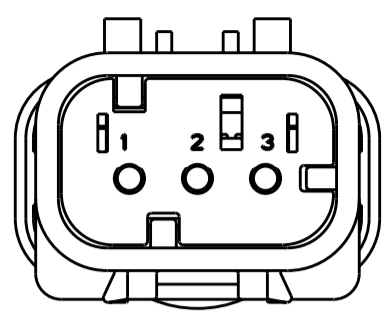
Email & Skype: info@chipsmall.com Web: www.chipsmall.com

Address: A1208, Overseas Decoration Building, #122 Zhenhua RD., Futian, Shenzhen, China

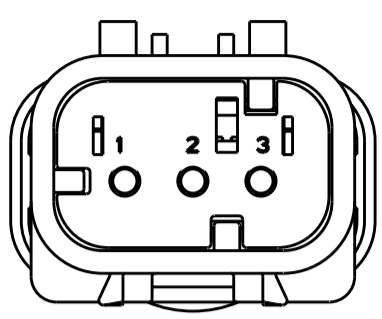


THIS DRAWING IS UNPUBLISHED. RELEASED FOR PUBLICATION
 © COPYRIGHT 20 BY - ALL RIGHTS RESERVED.

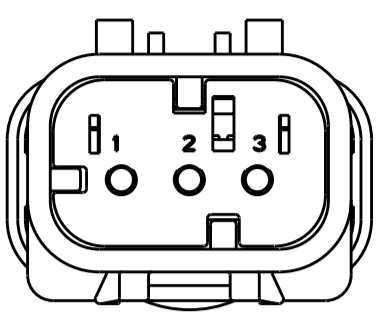
LOC	DIST	REVISIONS					
GE	00	P	LTR	DESCRIPTION	DATE	DWN	APVD
		D3		REVISED PER ECO-11-005030	12MAR2011	RK	HMR



776430-2
SCALE 2:1
KEY B

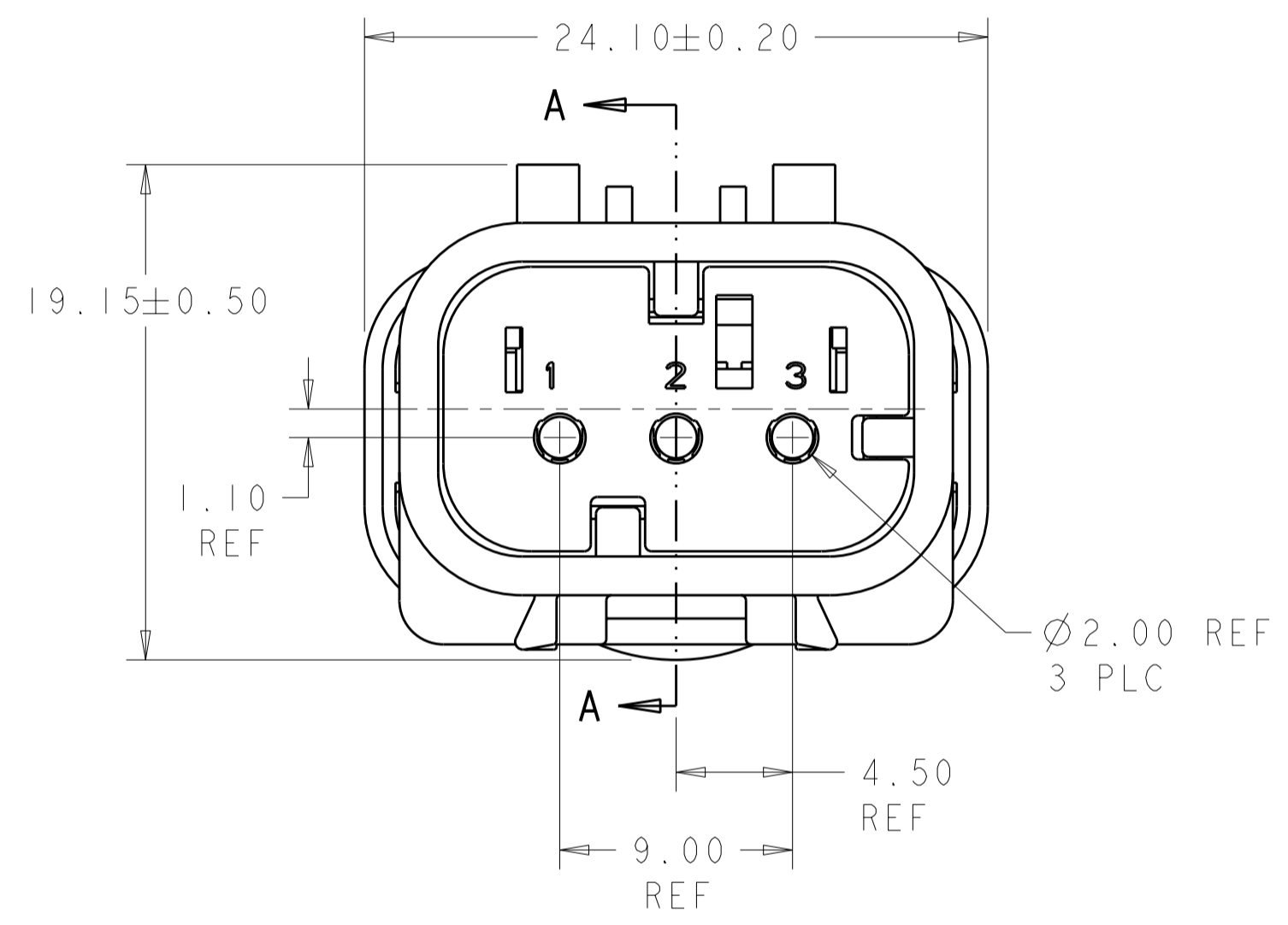


776430-3
SCALE 2:1
KEY C

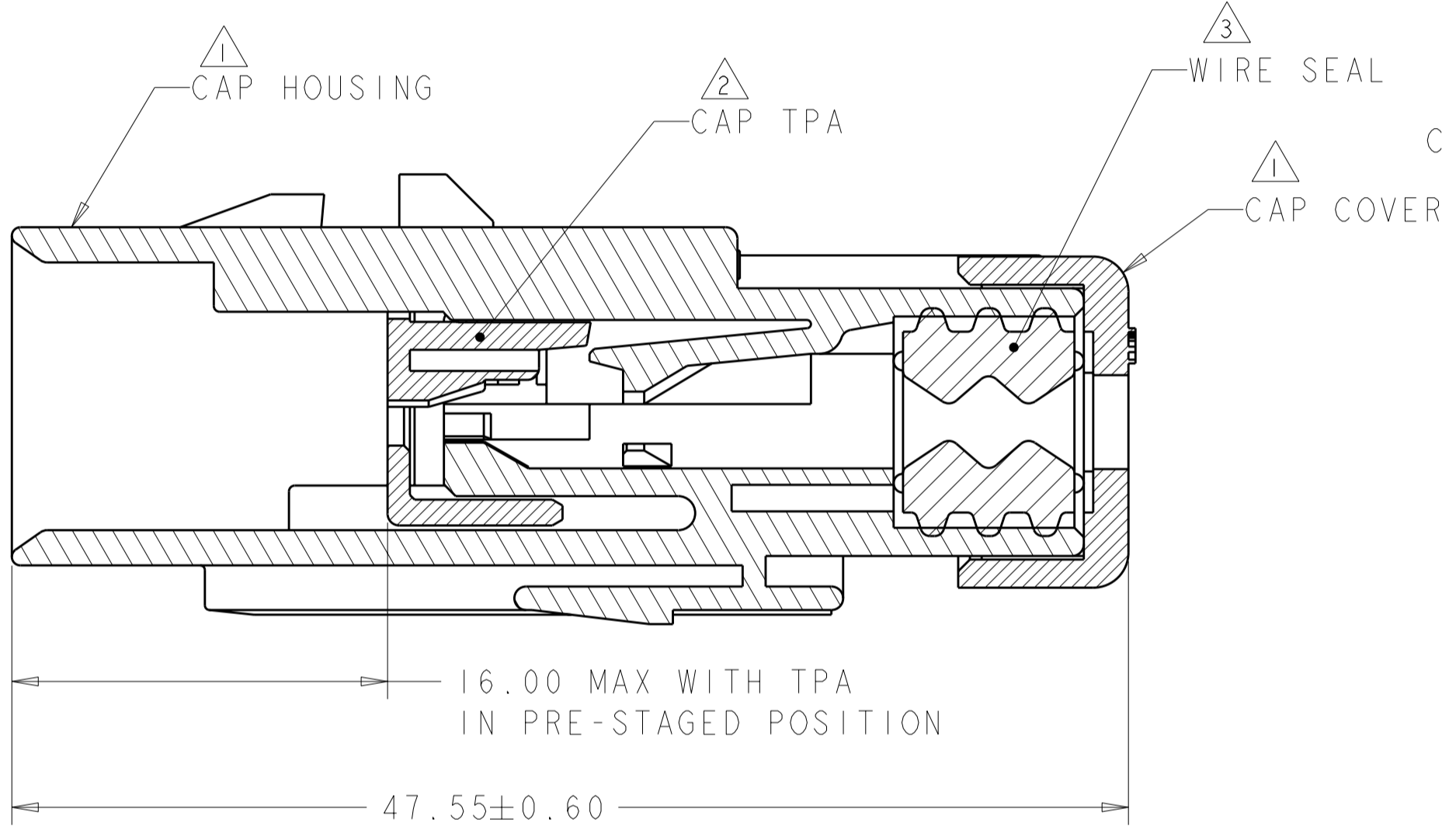


776430-4
SCALE 2:1
KEY D

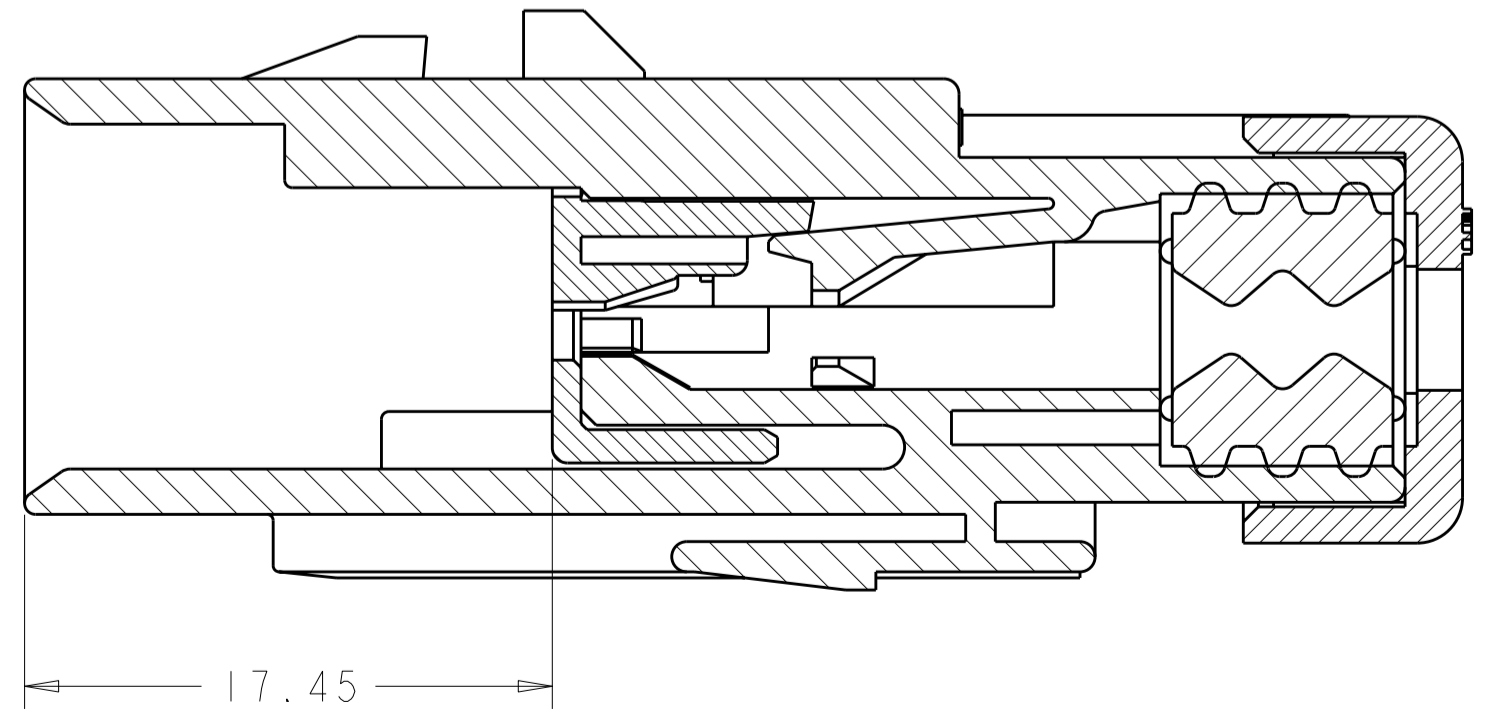
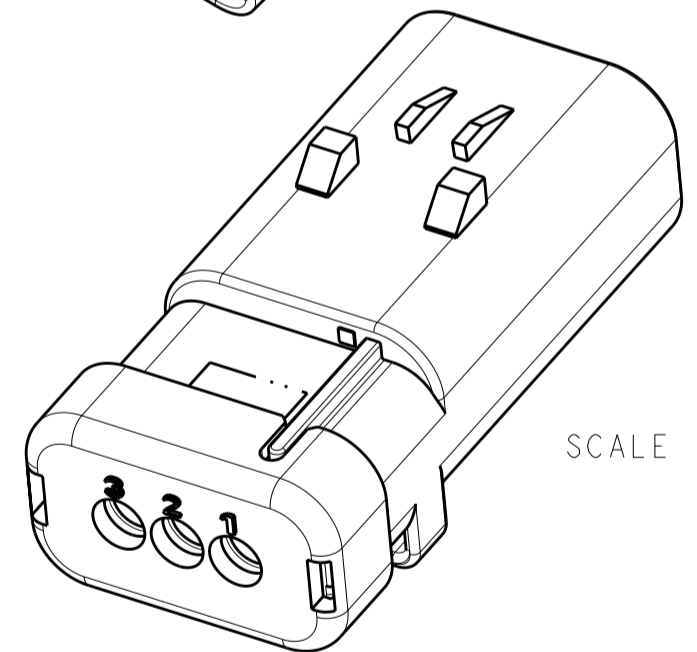
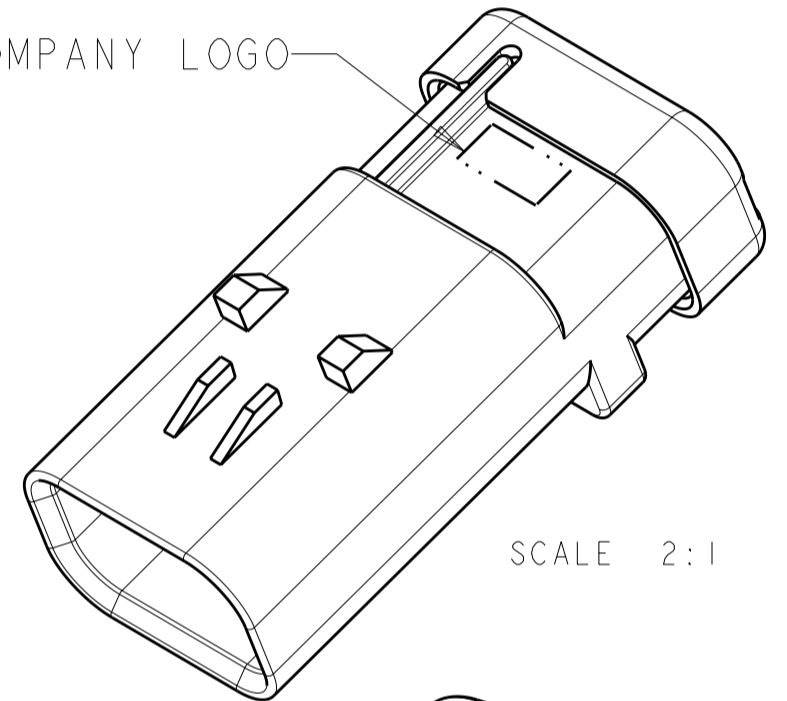
- 1 MATERIAL: 15% GLASS FILLED THERMOPLASTIC
COLOR: BLACK
- 2 MATERIAL: 15% GLASS FILLED THERMOPLASTIC
COLOR: (SEE TABLE)
- 3 MATERIAL: SILICONE
COLOR: YELLOW
- 4. RECOMMENDED WIRE DIAMETER RANGE IS 2.18 TO 3.67mm.



776430-1 SHOWN
KEY A



SECTION A-A



SECTION A-A
WITH TPA IN CLOSED POSITION

D	GREEN	776430-4
C	YELLOW	776430-3
B	GRAY	776430-2
A	RED	776430-1
KEY	TPA COLOR	PART NUMBER

THIS DRAWING IS A CONTROLLED DOCUMENT.

DIMENSIONS:	TOLERANCES UNLESS OTHERWISE SPECIFIED:	DWN Y. PETERSON 22FEB00	TE Connectivity CAP ASSEMBLY, 3 POSITION, SINGLE ROW, AMPSEAL 16
mm	0 PLC ± 1 PLC ± 2 PLC ± 3 PLC ± 4 PLC ±	CHK R. GREINER 11DEC01	
	ANGLES ±	APVD M. TRULLI 11DEC01	
	FINISH	PRODUCT SPEC 108-2184	
MATERIAL		APPLICATION SPEC 114-13065	SIZE CAGE CODE DRAWING NO RESTRICTED TO
		WEIGHT 10 ± 1g	A200779 C-776430
		CUSTOMER DRAWING	SCALE 4:1 SHEET OF REV D3