



Chipsmall Limited consists of a professional team with an average of over 10 year of expertise in the distribution of electronic components. Based in Hongkong, we have already established firm and mutual-benefit business relationships with customers from,Europe,America and south Asia,supplying obsolete and hard-to-find components to meet their specific needs.

With the principle of “Quality Parts,Customers Priority,Honest Operation,and Considerate Service”,our business mainly focus on the distribution of electronic components. Line cards we deal with include Microchip,ALPS,ROHM,Xilinx,Pulse,ON,Everlight and Freescale. Main products comprise IC,Modules,Potentiometer,IC Socket,Relay,Connector.Our parts cover such applications as commercial,industrial, and automotives areas.

We are looking forward to setting up business relationship with you and hope to provide you with the best service and solution. Let us make a better world for our industry!



Contact us

Tel: +86-755-8981 8866 Fax: +86-755-8427 6832

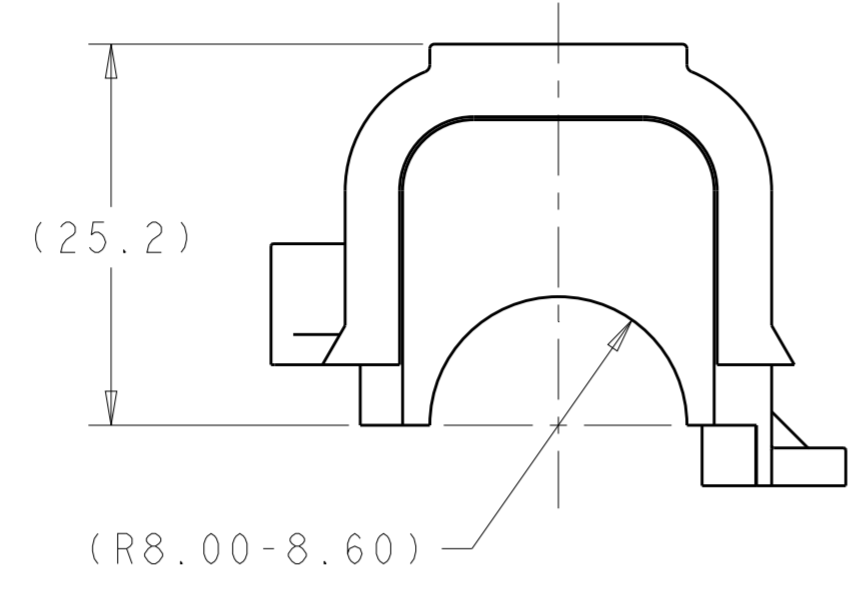
Email & Skype: info@chipsmall.com Web: www.chipsmall.com

Address: A1208, Overseas Decoration Building, #122 Zhenhua RD., Futian, Shenzhen, China

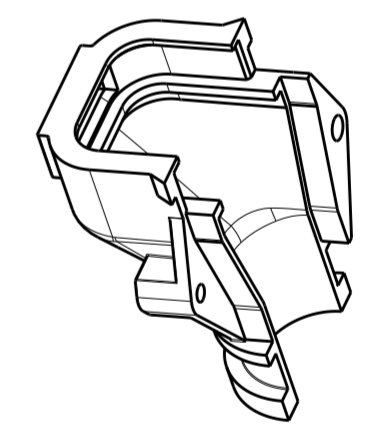
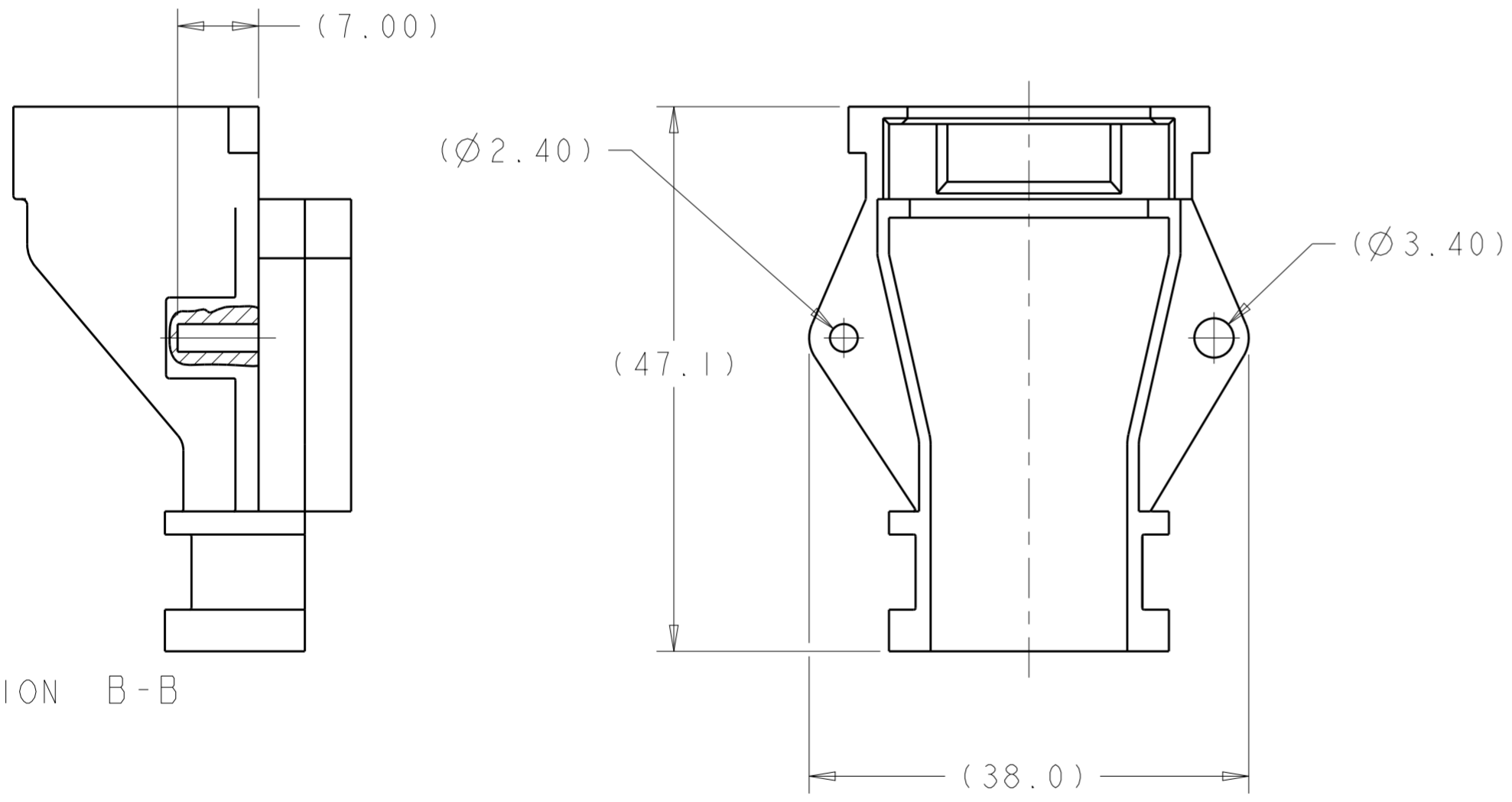


THIS DRAWING IS UNPUBLISHED. RELEASED FOR PUBLICATION 20
 © COPYRIGHT 20 BY - ALL RIGHTS RESERVED.

REVISIONS					
P	LTR	DESCRIPTION	DATE	DWN	APVD
B2		REVISED PER ECO-13-009966	18JUN2013	DD	DS
B3		REVISED PER ECO-15-007694	21MAY2015	DD	DS



- 1 MATERIAL: PBT, 15% GLASS FILLED, COLOR: BLACK
- 2. ACCEPTS #4 SELF TAPPING SCREW (ELCO HI-LO THREAD CUTTING STYLE OR EQUIVALENT) TO BE DRIVEN AT 0.6±0.2 N-M FOR INITIAL ASSEMBLY.
- 3 MATERIAL: PBT, 17% GLASS FILLED, UL RATED V-0/5VA, COLOR: GRAY



SCALE 1:1

3	776464-2
1	776464-1
MATERIAL	PART NUMBER

THIS DRAWING IS A CONTROLLED DOCUMENT.		DWN R. VESTAL 02APR2003	STE TE Connectivity	
		CHK M. TRULLI 02APR2003		
		APVD M. TRULLI 02APR2003	NAME WIRE RELIEF, 23 POSITION	
DIMENSIONS: mm		TOLERANCES UNLESS OTHERWISE SPECIFIED:		SIZE A200779
0 PLC ±-		1 PLC ±-		CAGE CODE C-776464
1 PLC ±-		2 PLC ±0.10		DRAWING NO -
2 PLC ±-		3 PLC ±-		RESTRICTED TO -
3 PLC ±-		4 PLC ±-		SCALE 2:1
4 PLC ±-		ANGLES ±2°		SHEET 1 OF 1
MATERIAL SEE NOTES		FINISH -		REV B3
		WEIGHT -		
		CUSTOMER DRAWING		