



Chipsmall Limited consists of a professional team with an average of over 10 year of expertise in the distribution of electronic components. Based in Hongkong, we have already established firm and mutual-benefit business relationships with customers from,Europe,America and south Asia,supplying obsolete and hard-to-find components to meet their specific needs.

With the principle of “Quality Parts,Customers Priority,Honest Operation,and Considerate Service”,our business mainly focus on the distribution of electronic components. Line cards we deal with include Microchip,ALPS,ROHM,Xilinx,Pulse,ON,Everlight and Freescale. Main products comprise IC,Modules,Potentiometer,IC Socket,Relay,Connector.Our parts cover such applications as commercial,industrial, and automotives areas.

We are looking forward to setting up business relationship with you and hope to provide you with the best service and solution. Let us make a better world for our industry!



## Contact us

Tel: +86-755-8981 8866 Fax: +86-755-8427 6832

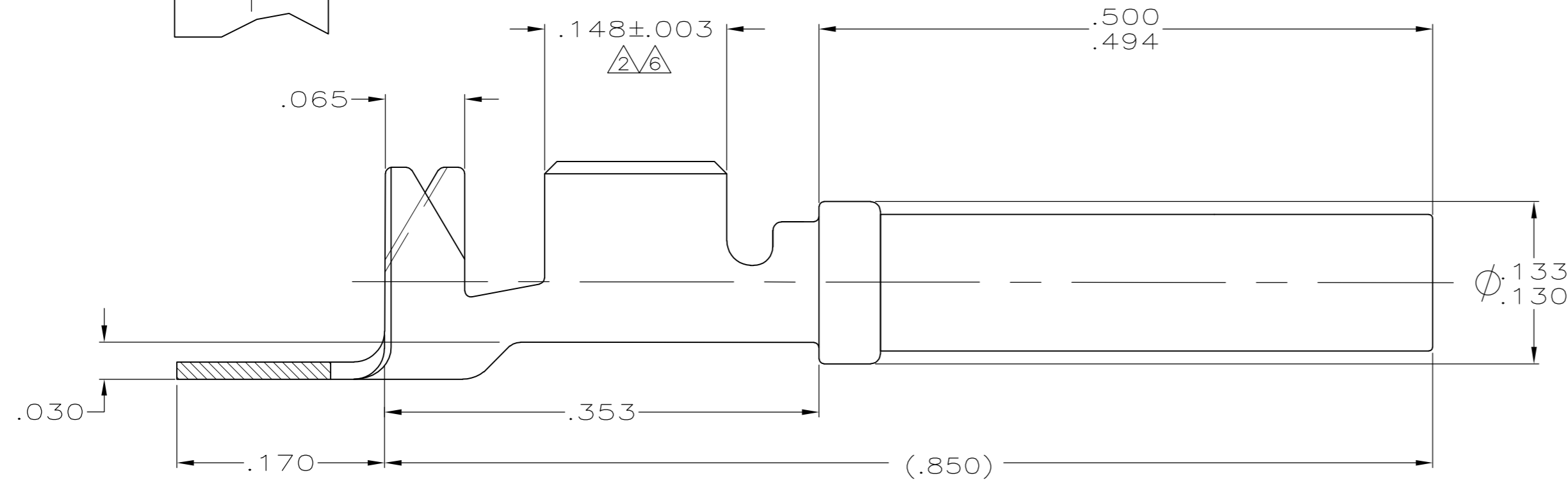
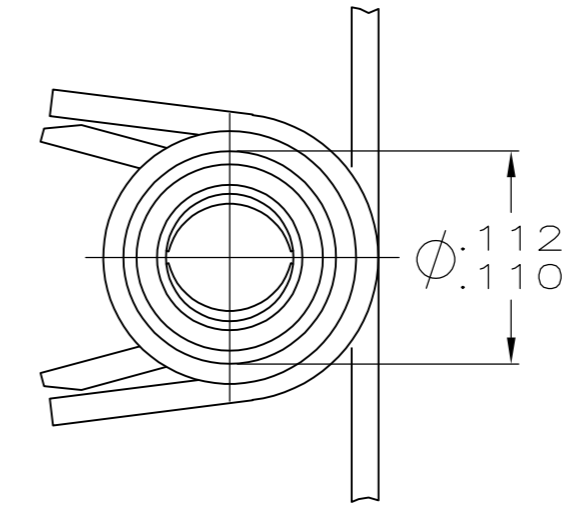
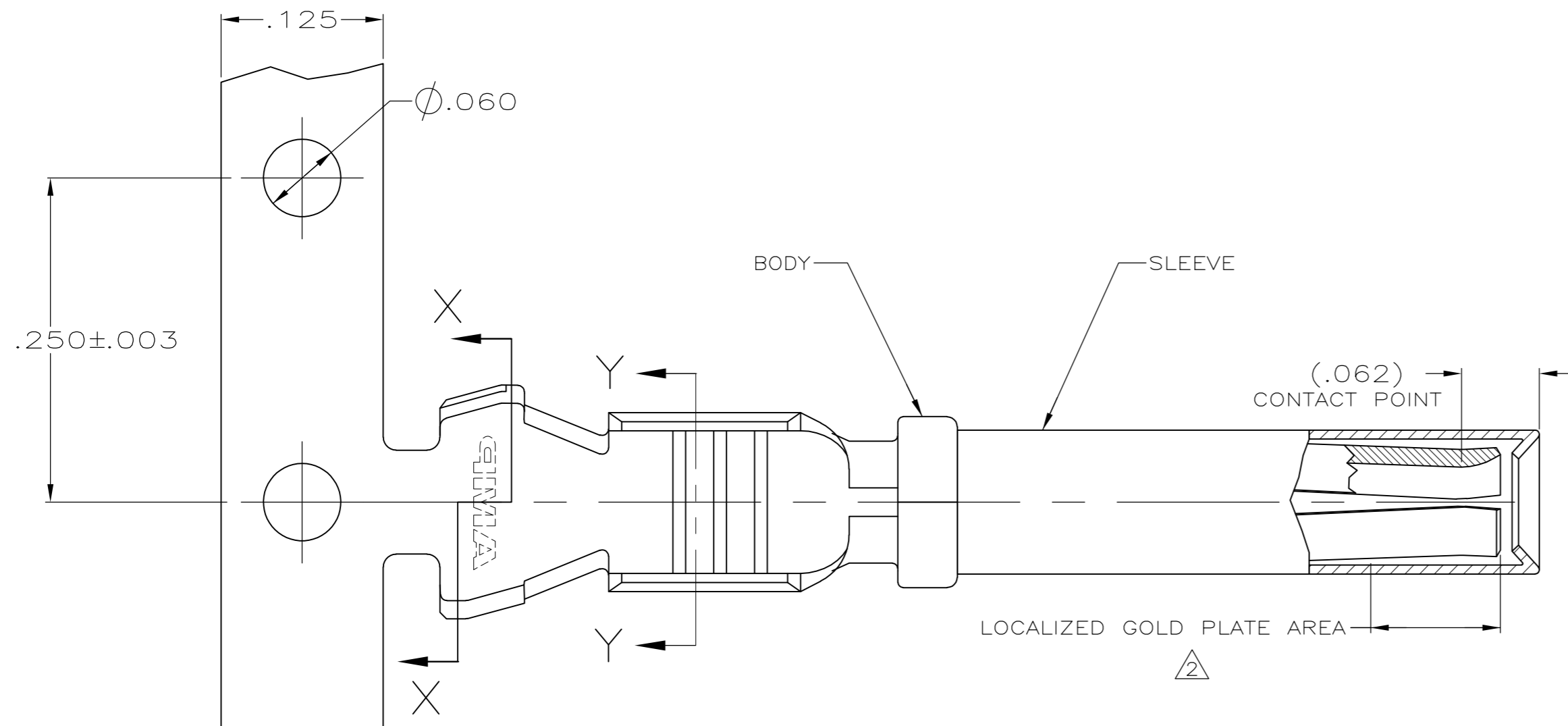
Email & Skype: info@chipsmall.com Web: www.chipsmall.com

Address: A1208, Overseas Decoration Building, #122 Zhenhua RD., Futian, Shenzhen, China

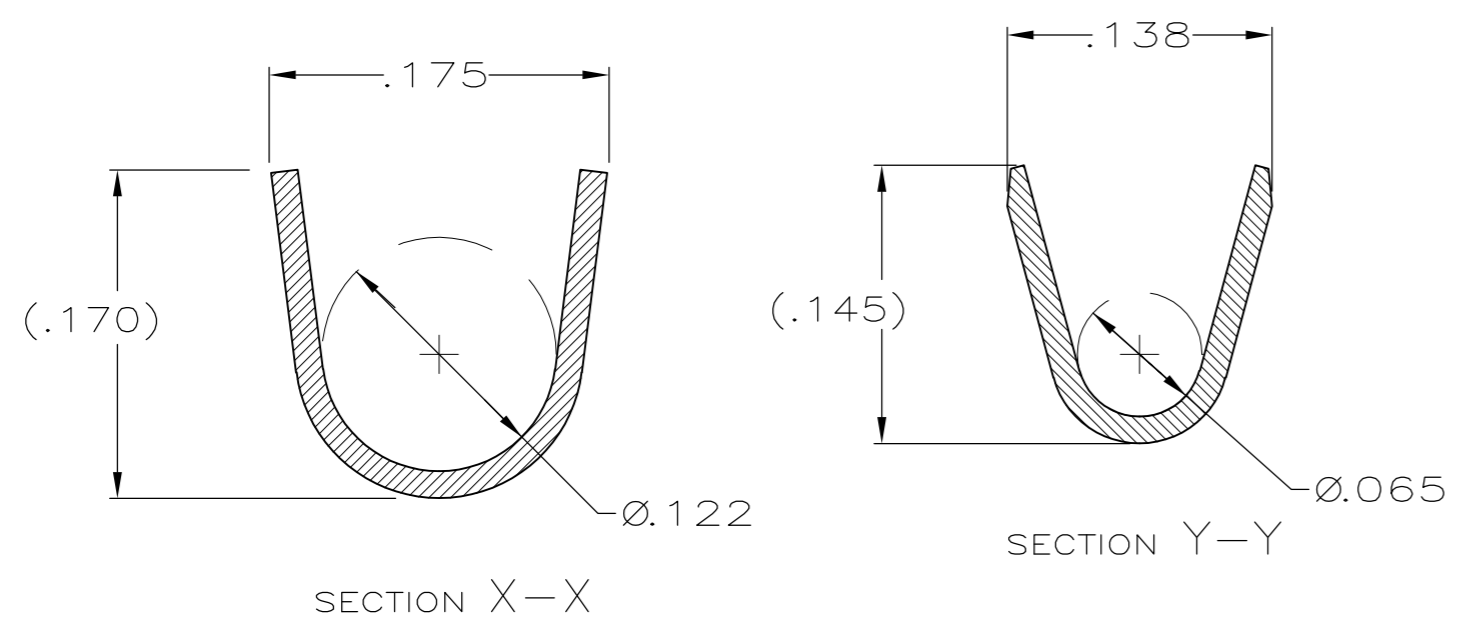


THIS DRAWING IS UNPUBLISHED. RELEASED FOR PUBLICATION  
 © COPYRIGHT - By - ALL RIGHTS RESERVED.

LOC	DIST	REVISIONS					
GE	00	P	LTR	DESCRIPTION	DATE	DWN	APVD
		P		REVISED PER ECO-11-005030	11MAR11	RK	HMR



- 1 MATERIAL:  
 BODY - .014 THK COPPER ALLOY  
 SLEEVE - .007 THK STAINLESS STEEL
- 2 FINISH:  
 BODY - .000030 MIN SELECT GOLD IN LOCALIZED GOLD PLATE AREA AND .000100-.000200 TIN IN LOCALIZED TIN PLATE AREA  
 ALL OVER .000040-.000080 THK NICKEL  
 SLEEVE - PASSIVATE PER 112-230-2, METHOD 1
- 3. CONTACT TO BE LUBED WITH LUBRICANT PER P/N 22014-4
- 4. WIRE RANGE: 18-14 AWG GXL AND 18-16 AWG SXL WIRE WITH INSULATION DIAMETERS OF .089-.131 INCHES
- 5. SLEEVE MUST WITHSTAND PULL OFF FORCE IN DIRECTION PARALLEL TO CENTER OF TERMINAL OF 10 LBS MIN
- 6 FINISH:  
 BODY - .000100-.000200 TIN IN LOCALIZED TIN PLATE AREA.  
 ALL OVER .000040-.000080 THK NICKEL.  
 SLEEVE - PASSIVATE PER 112-230-2, METHOD 1



THIS DRAWING IS A CONTROLLED DOCUMENT.		DWN DL DRUMMOND 07MAY2004	776492-2	
DIMENSIONS: INCHES		CHK MP TRULL 07MAY2004	776492-1	
TOLERANCES UNLESS OTHERWISE SPECIFIED:		APVD MP TRULL 07MAY2004	FINISH PART NUMBER	
0 PLC ± -		PRODUCT SPEC	TE Connectivity	
1 PLC ± -		APPLICATION SPEC	ASSEMBLY, SOCKET	
2 PLC ± .02		WEIGHT -	SIZE A2	CAGE CODE 00779
3 PLC ± .005		CUSTOMER DRAWING	DRAWING NO C=776492	RESTRICTED TO -
4 PLC ± -		SCALE 10:1	SHEET 1 of 1	REV P
ANGLES ± -				
FINISH SEE TABLE				