



Chipsmall Limited consists of a professional team with an average of over 10 year of expertise in the distribution of electronic components. Based in Hongkong, we have already established firm and mutual-benefit business relationships with customers from,Europe,America and south Asia,supplying obsolete and hard-to-find components to meet their specific needs.

With the principle of “Quality Parts,Customers Priority,Honest Operation,and Considerate Service”,our business mainly focus on the distribution of electronic components. Line cards we deal with include Microchip,ALPS,ROHM,Xilinx,Pulse,ON,Everlight and Freescale. Main products comprise IC,Modules,Potentiometer,IC Socket,Relay,Connector.Our parts cover such applications as commercial,industrial, and automotives areas.

We are looking forward to setting up business relationship with you and hope to provide you with the best service and solution. Let us make a better world for our industry!



Contact us

Tel: +86-755-8981 8866 Fax: +86-755-8427 6832

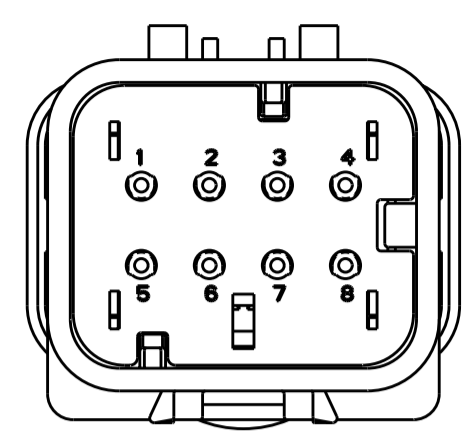
Email & Skype: info@chipsmall.com Web: www.chipsmall.com

Address: A1208, Overseas Decoration Building, #122 Zhenhua RD., Futian, Shenzhen, China

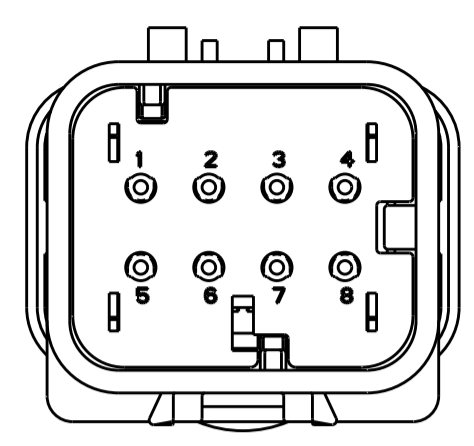


THIS DRAWING IS UNPUBLISHED. RELEASED FOR PUBLICATION
 © COPYRIGHT 20 BY - ALL RIGHTS RESERVED.

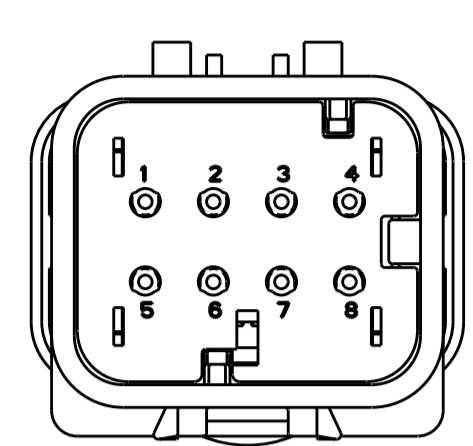
LOC	DIST	REVISIONS					
GE	00	P	LTR	DESCRIPTION	DATE	DWN	APVD
		B4		REVISED PER ECO-11-005030	11MAR2011	RK	HMR



776538-2
SCALE 2:1

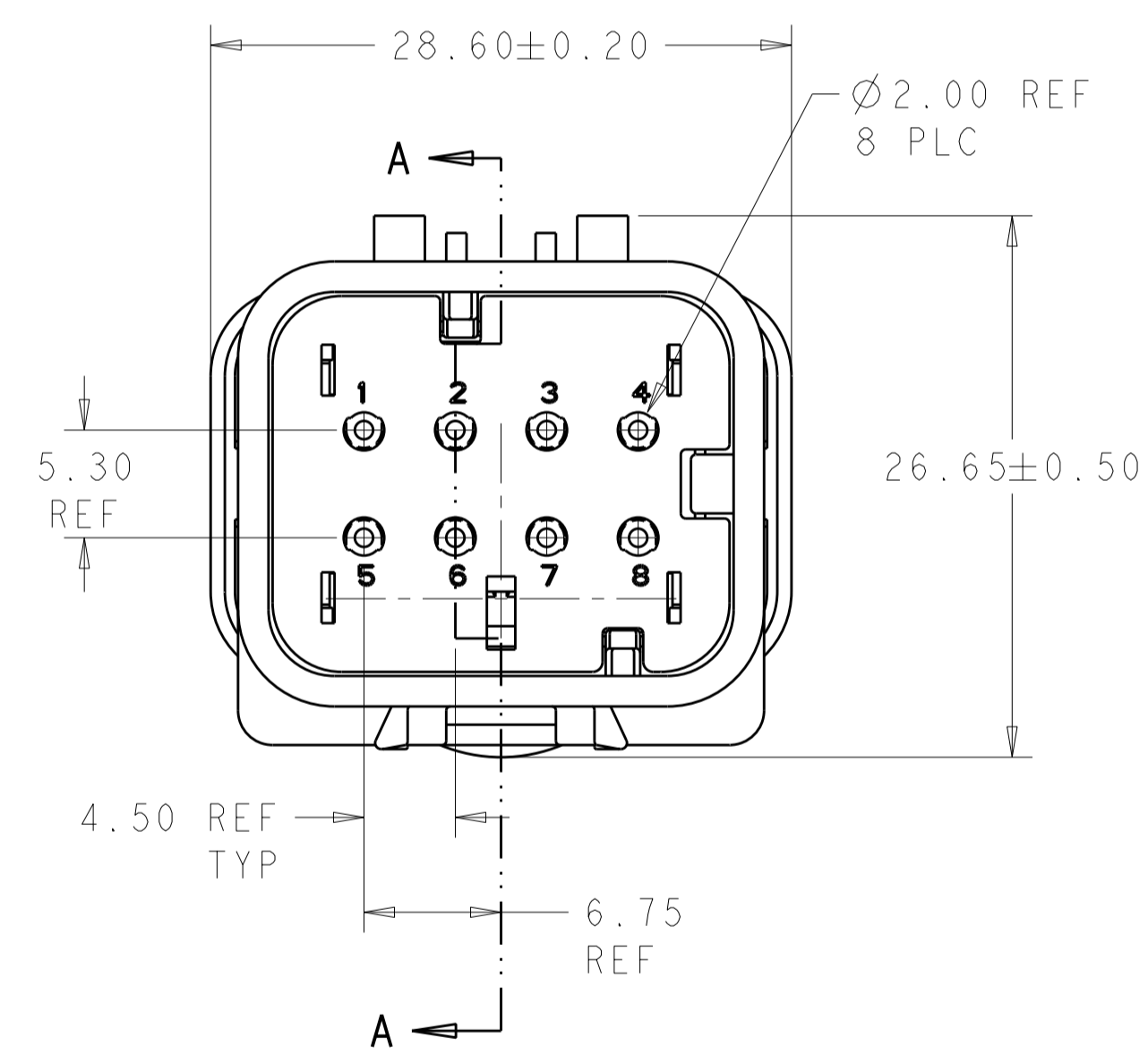


776538-3
SCALE 2:1

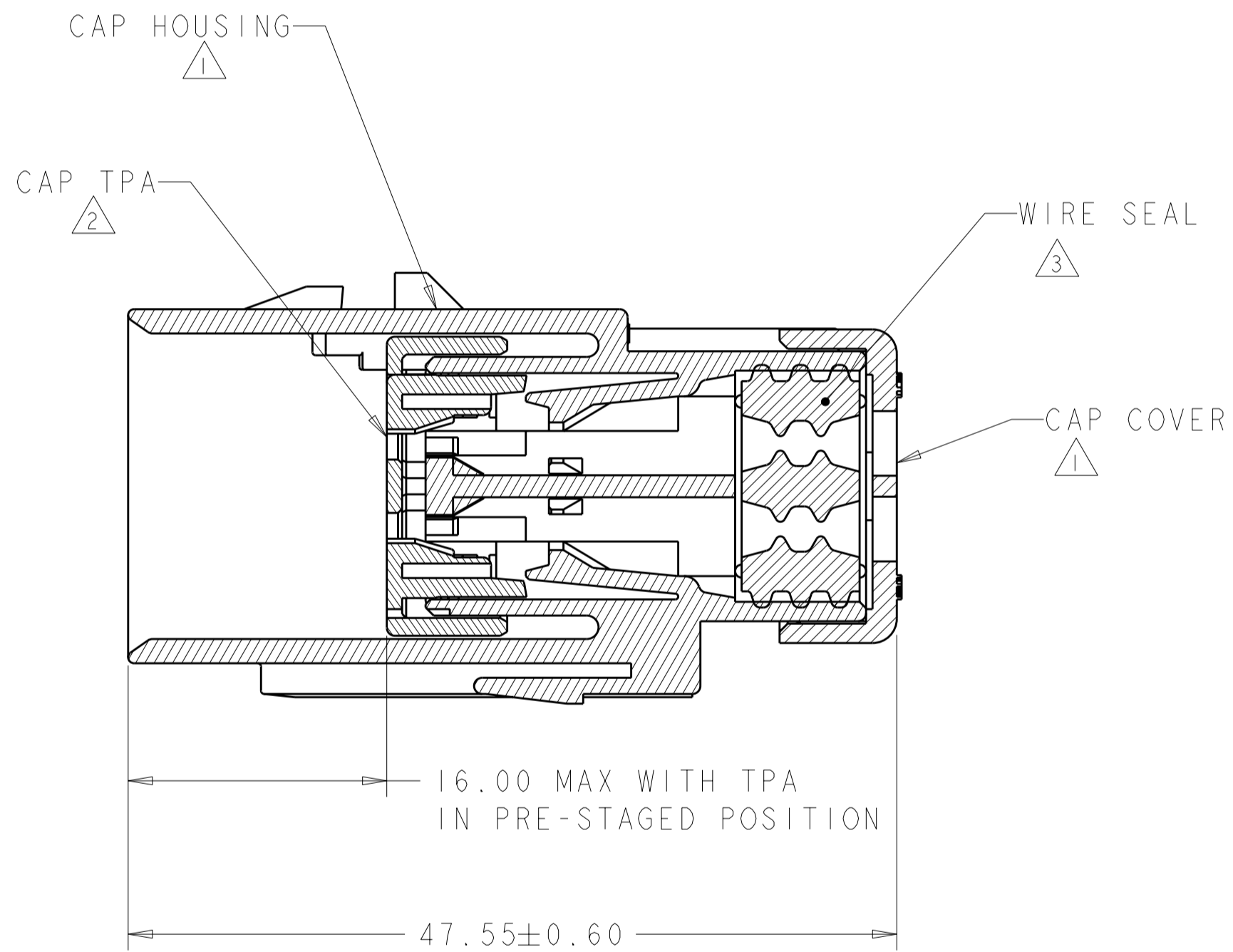


776538-4
SCALE 2:1

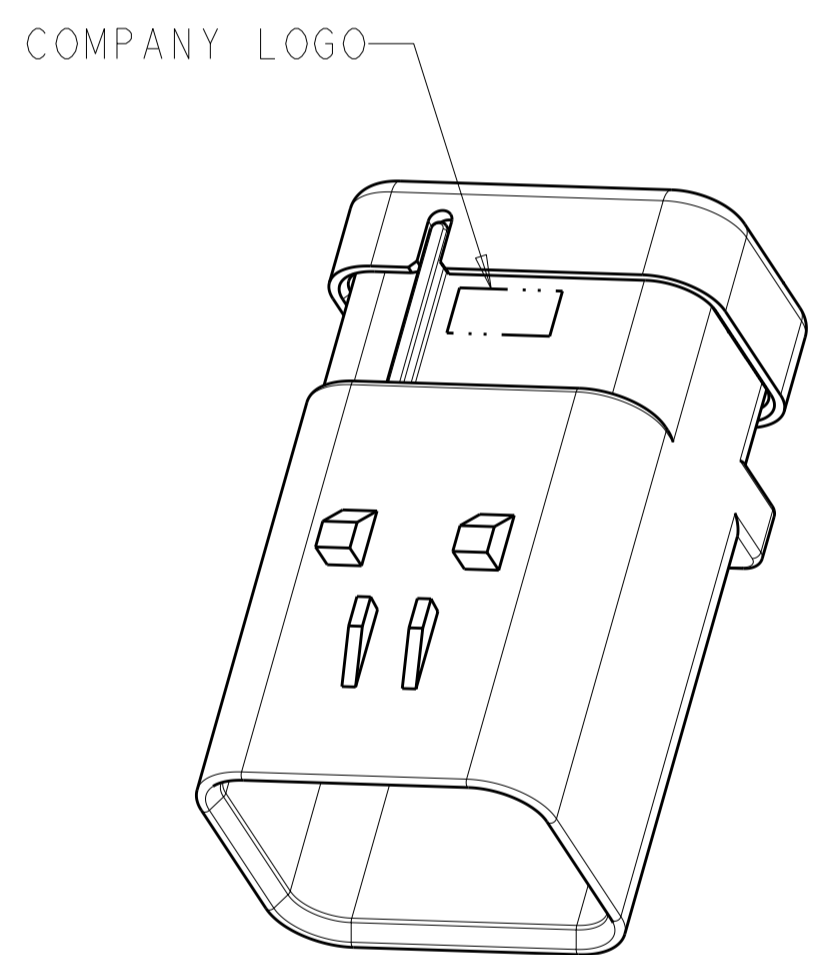
- ① MATERIAL: 15% GLASS FILLED THERMOPLASTIC
COLOR: BLACK
 - ② MATERIAL: 15% GLASS FILLED THERMOPLASTIC
COLOR: (SEE TABLE)
 - ③ MATERIAL: SILICONE
COLOR: ORANGE
4. RECOMMENDED WIRE DIAMETER RANGE IS 1.30 TO 2.54mm



776538-1 SHOWN



SECTION A-A



SCALE 2:1

GREEN	776538-4
YELLOW	776538-3
GRAY	776538-2
RED	776538-1
TPA COLOR	PART NUMBER

THIS DRAWING IS A CONTROLLED DOCUMENT.		DWN Y. PETERSON 17DEC02	TE Connectivity	
DIMENSIONS: mm		CHK R. GREINER 17DEC02		
TOLERANCES UNLESS OTHERWISE SPECIFIED:		APVD R. GREINER 17DEC02	NAME CAP ASSEMBLY, 8 POSITION, 2 ROW, AMPSEAL 16 CONNECTOR REDUCED DIA WIRE SEAL	
0 PLC ±		PRODUCT SPEC -	SIZE CAGE CODE DRAWING NO	
1 PLC ±		APPLICATION SPEC 114-13065	A200779C-776538	
2 PLC ±		WEIGHT -	RESTRICTED TO -	
3 PLC ±		CUSTOMER DRAWING	SCALE 2:1 SHEET 1 OF 1 REV B4	
4 PLC ±				
ANGLES ±				
FINISH				