



Chipsmall Limited consists of a professional team with an average of over 10 year of expertise in the distribution of electronic components. Based in Hongkong, we have already established firm and mutual-benefit business relationships with customers from,Europe,America and south Asia,supplying obsolete and hard-to-find components to meet their specific needs.

With the principle of “Quality Parts,Customers Priority,Honest Operation,and Considerate Service”,our business mainly focus on the distribution of electronic components. Line cards we deal with include Microchip,ALPS,ROHM,Xilinx,Pulse,ON,Everlight and Freescale. Main products comprise IC,Modules,Potentiometer,IC Socket,Relay,Connector.Our parts cover such applications as commercial,industrial, and automotives areas.

We are looking forward to setting up business relationship with you and hope to provide you with the best service and solution. Let us make a better world for our industry!



Contact us

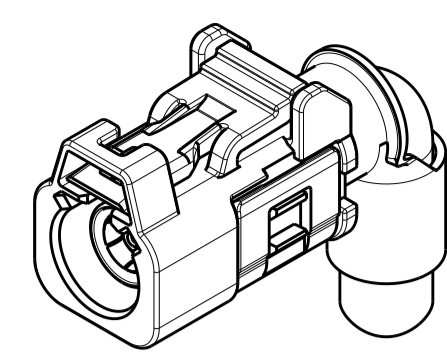
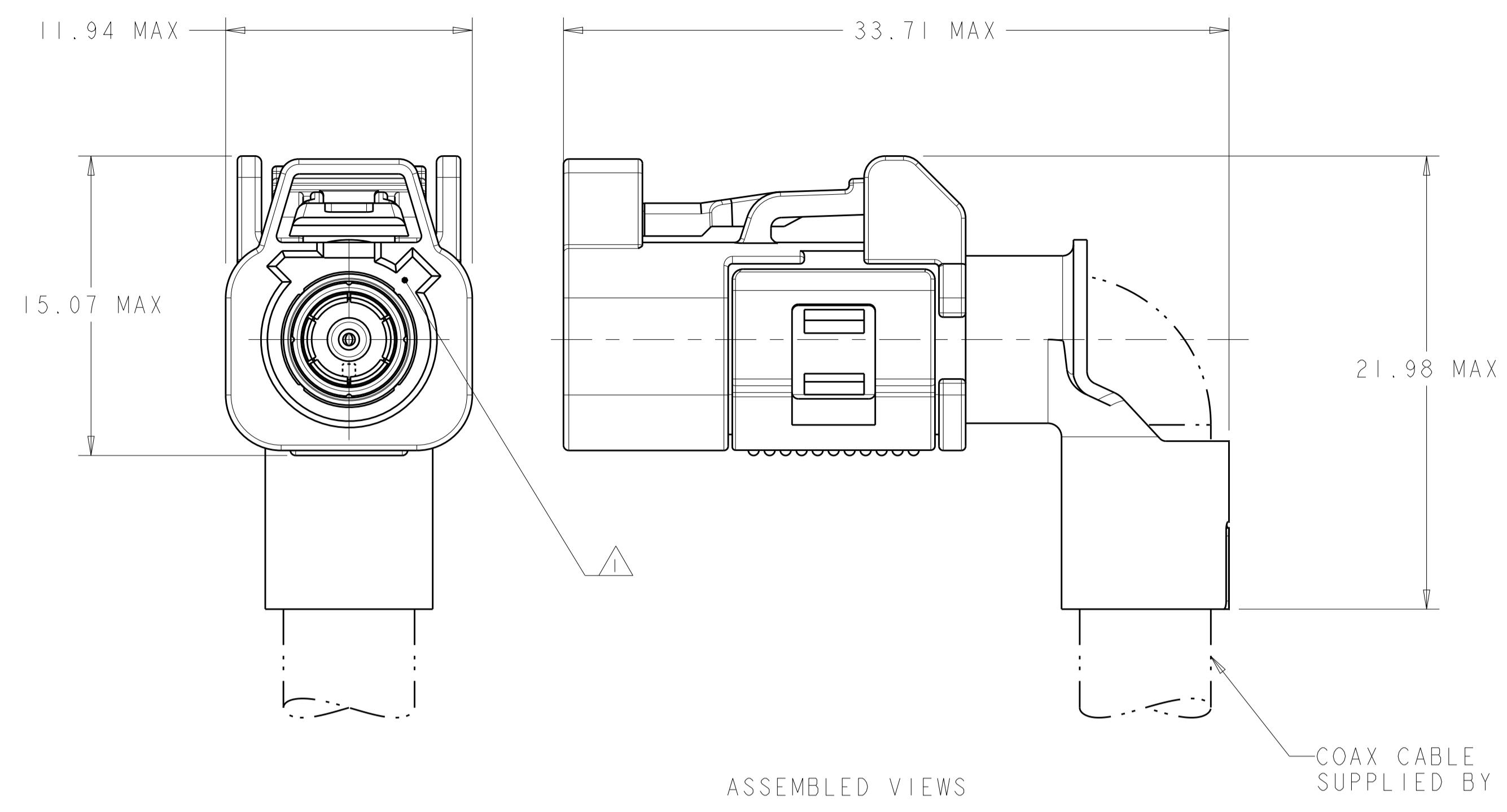
Tel: +86-755-8981 8866 Fax: +86-755-8427 6832

Email & Skype: info@chipsmall.com Web: www.chipsmall.com

Address: A1208, Overseas Decoration Building, #122 Zhenhua RD., Futian, Shenzhen, China

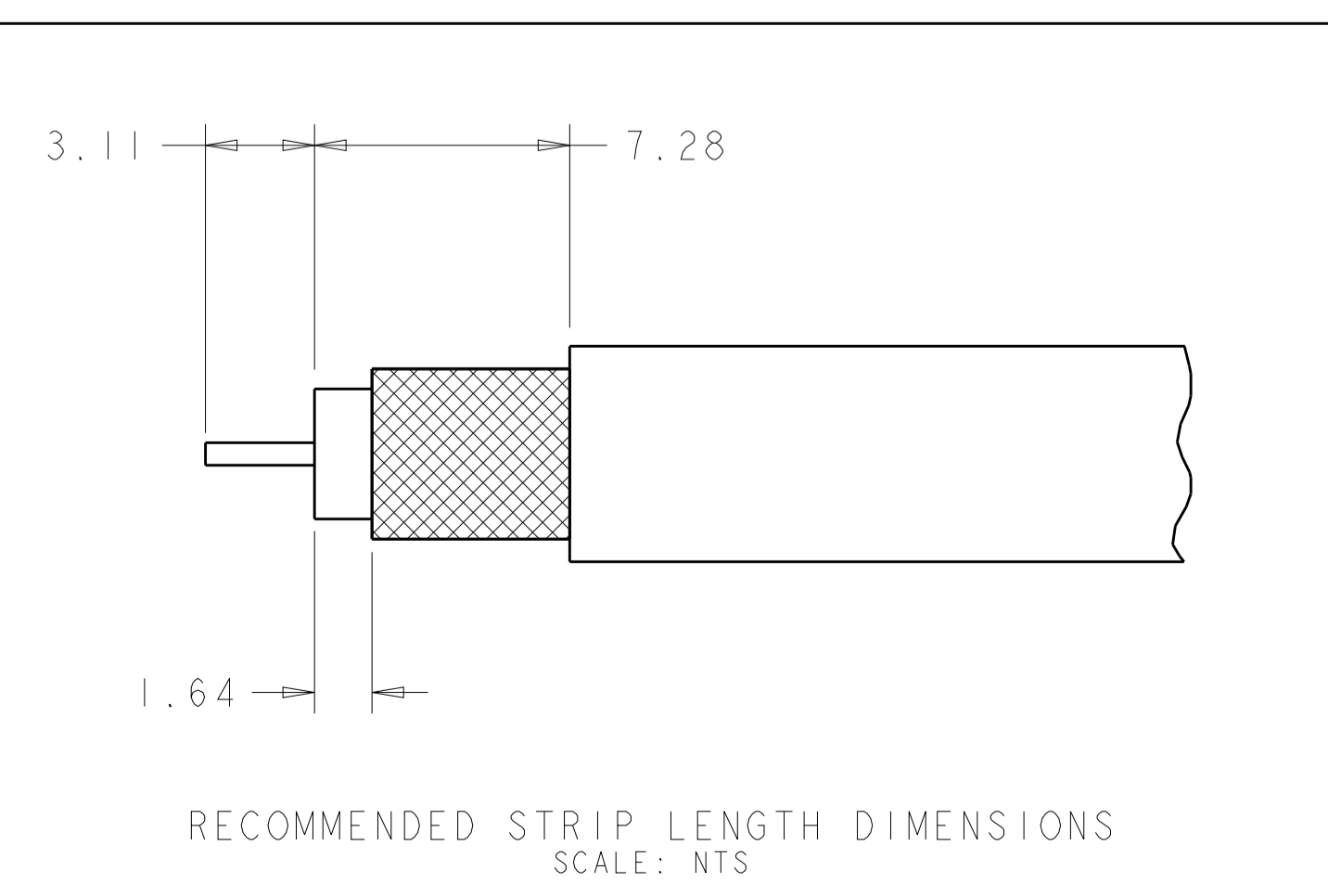
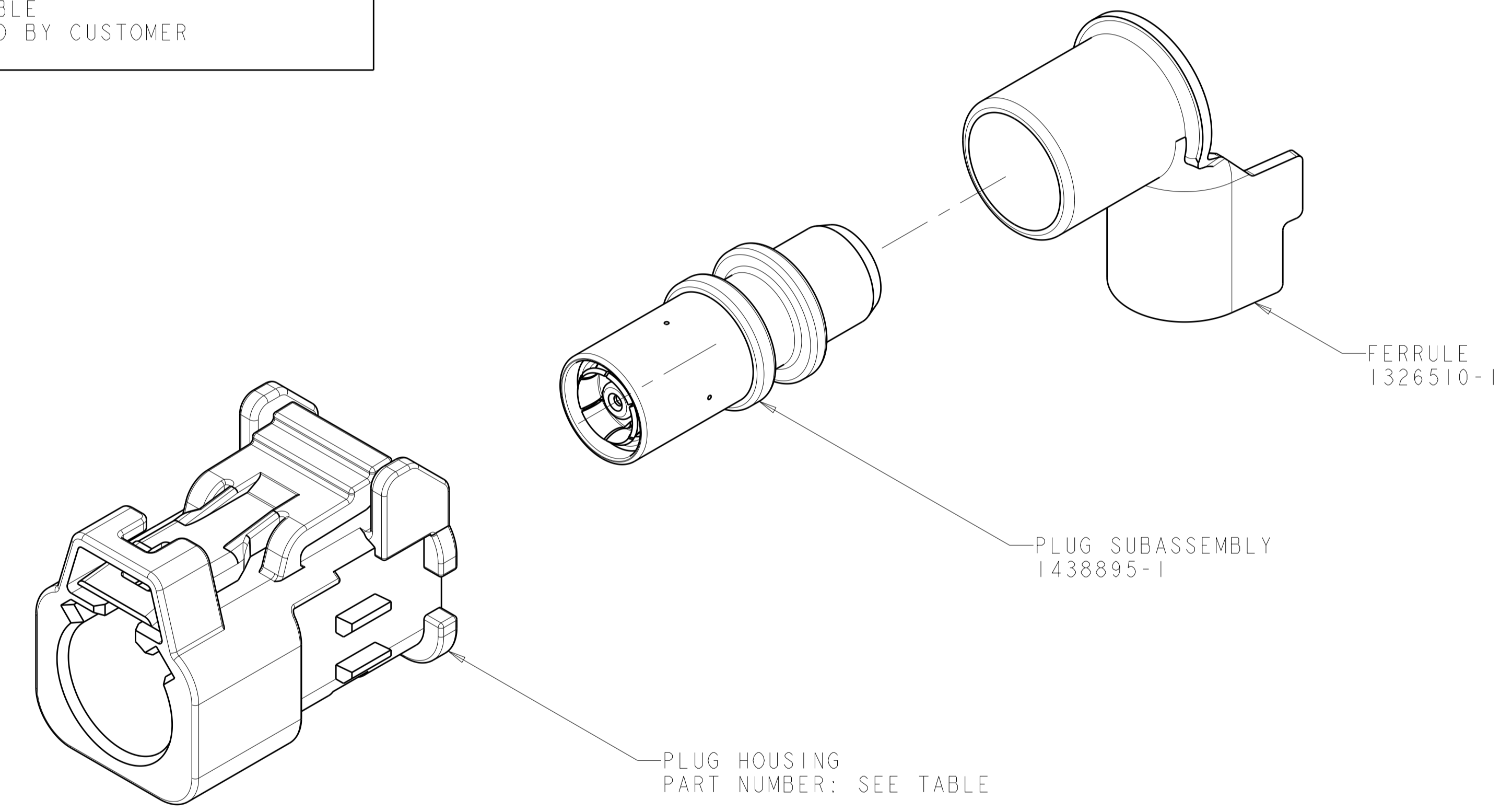


LOC		DIST		REVISIONS			
P	LTN	DESCRIPTION	DATE	DWN	APVD		
B1		ECO-13-012147	29AUG2013	KP	LV		



ISOMETRIC VIEW
SCALE 2:1

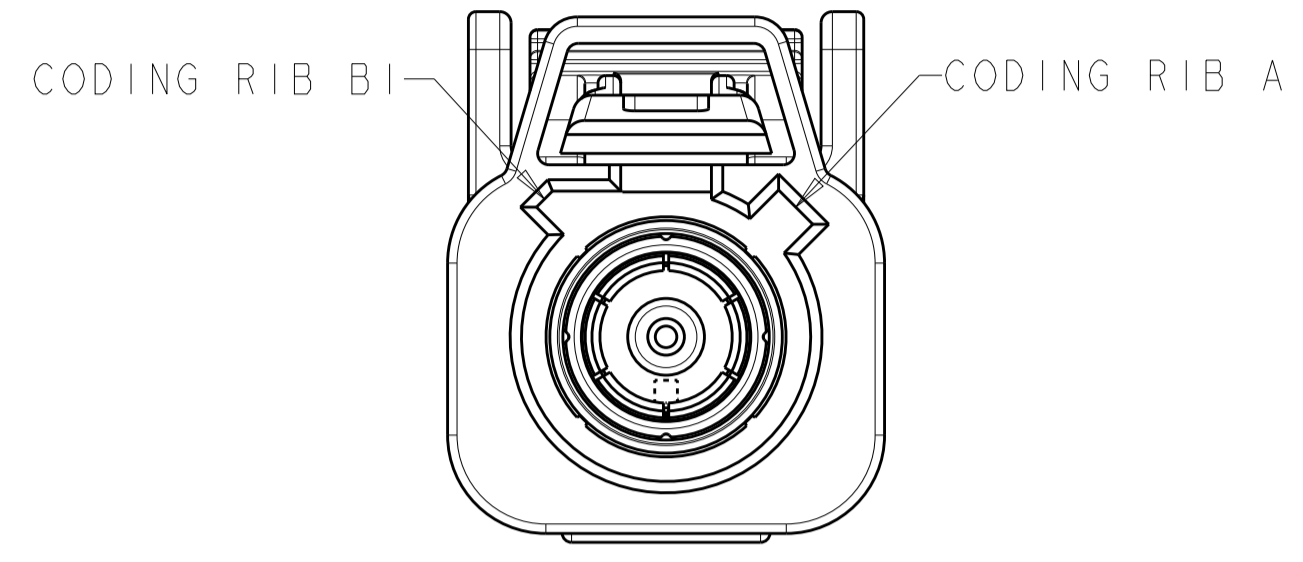
- 1. PLUG ACCEPTS JACKS MEETING DIN 72594-1, ROAD VEHICLES - RADIO FREQUENCY INTERFACE - DIMENSIONS AND ELECTRICAL REQUIREMENTS.
- 2. PLUG SUBASSEMBLY WILL ACCEPT RG-59 COAXIAL CABLE.
- 3. SEE INSTRUCTION SHEET 408-10028.
- 4. SOCKET CONTACT 1438896-4 MUST BE PURCHASED SEPERATELY.



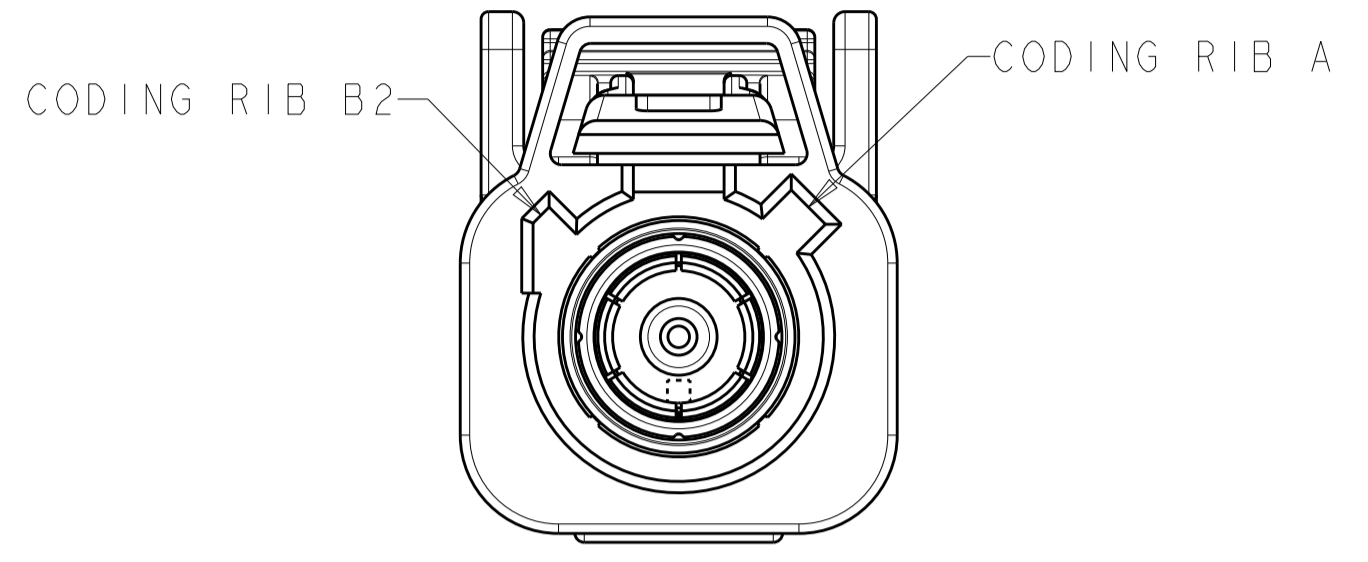
PER DETAIL M	M	PASTEL ORANGE	1-1438893-2	1-776683-2
PER DETAIL K	K	CURRY	1-1438893-0	1-776683-0
PER DETAIL H	H	HEATHER VIOLET	1438893-8	776683-8
PER DETAIL D	D	CLARET VIOLET	1438893-4	776683-4
PER DETAIL C	C	SIGNAL BLUE	1438893-3	776683-3
PER DETAIL B	B	SIGNAL WHITE	1438893-2	776683-2
PER DETAIL A	A	JET BLACK	1438893-1	776683-1
KEYING	KEY CODING	HOUSING COLOR	PLUG HOUSING PART NUMBER	PART NUMBER

THIS DRAWING IS A CONTROLLED DOCUMENT.		DWN	D. J. HARDY	05JUN2005	TE Connectivity
DIMENSIONS:		CHK	J. W. HALL	25AUG2005	
TOLERANCES UNLESS OTHERWISE SPECIFIED:		APVD	J. W. HALL	25AUG2005	NAME
mm	0 PLC ±	PRODUCT SPEC		PLUG KIT, UNASSEMBLED, 1 POSITION, RG-59, 90 DEGREE, FAKRA, SMB	
	1 PLC ±0.25	APPLICATION SPEC		SIZE	CAGE CODE DRAWING NO
	3 PLC ±	114-13157		A100779	776683
	4 PLC ±	WEIGHT		RESTRICTED TO	
	ANGLES ±	CUSTOMER DRAWING		SCALE	4:1
MATERIAL	FINISH	SHEET		1	OF 2
		REV		B1	

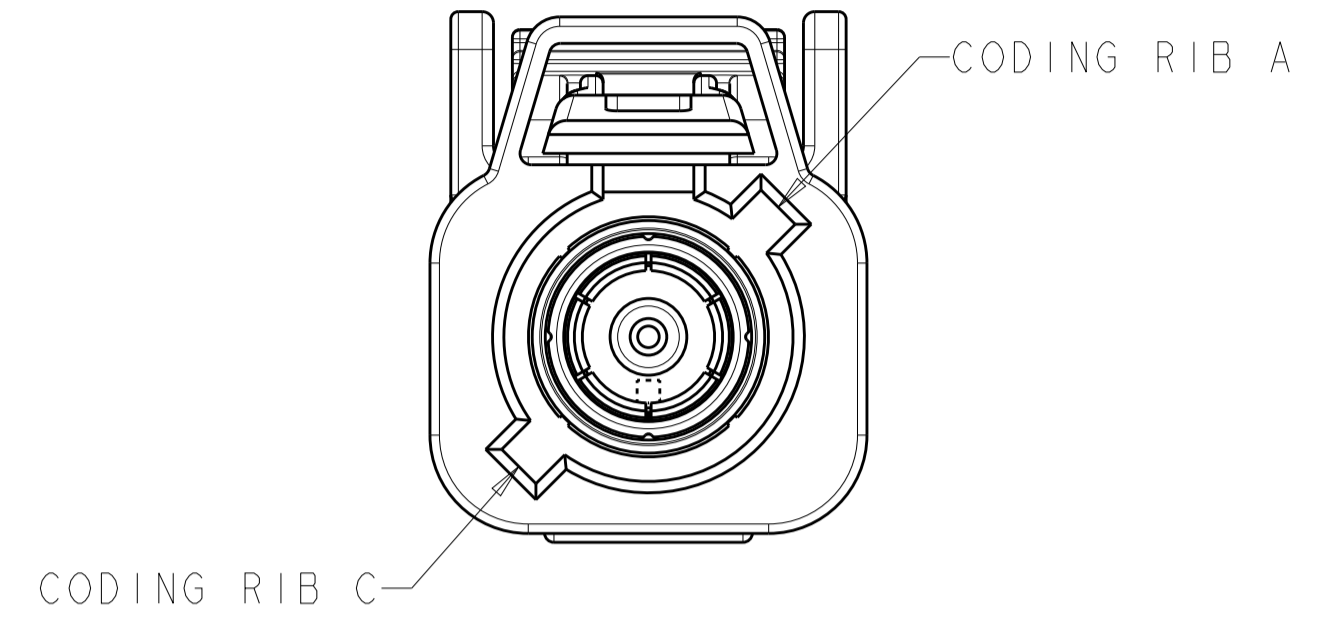
LOC		DIST		REVISIONS				
P	LTN	DATE	DMN	APVD	DESCRIPTION	DATE	DMN	APVD
-	-	-	-	-	SEE SHEET 1	-	-	-



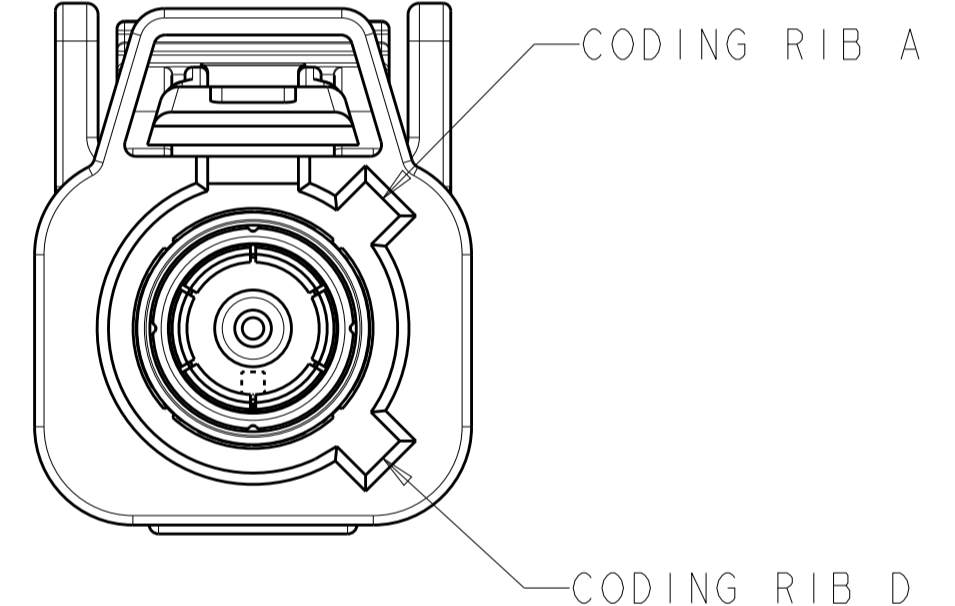
DETAIL A



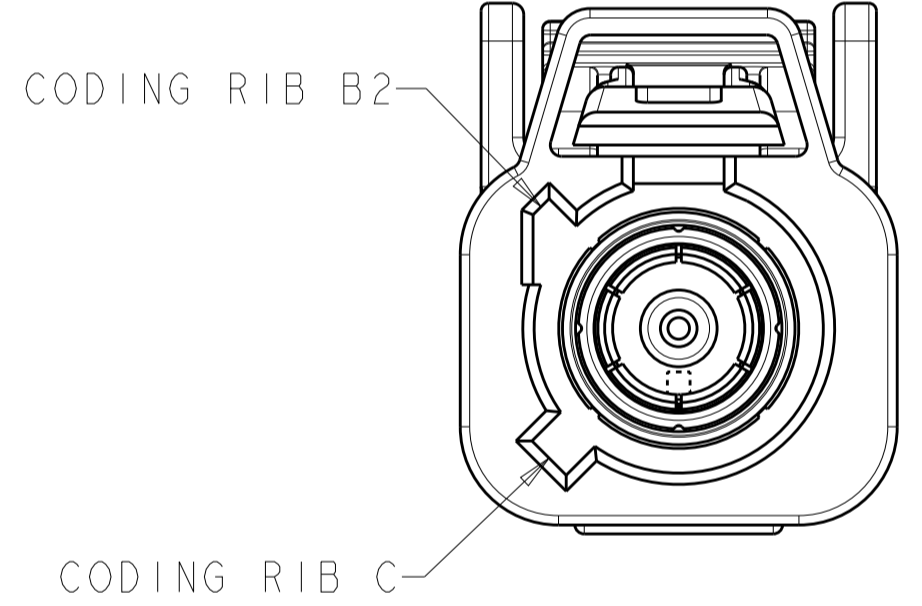
DETAIL B



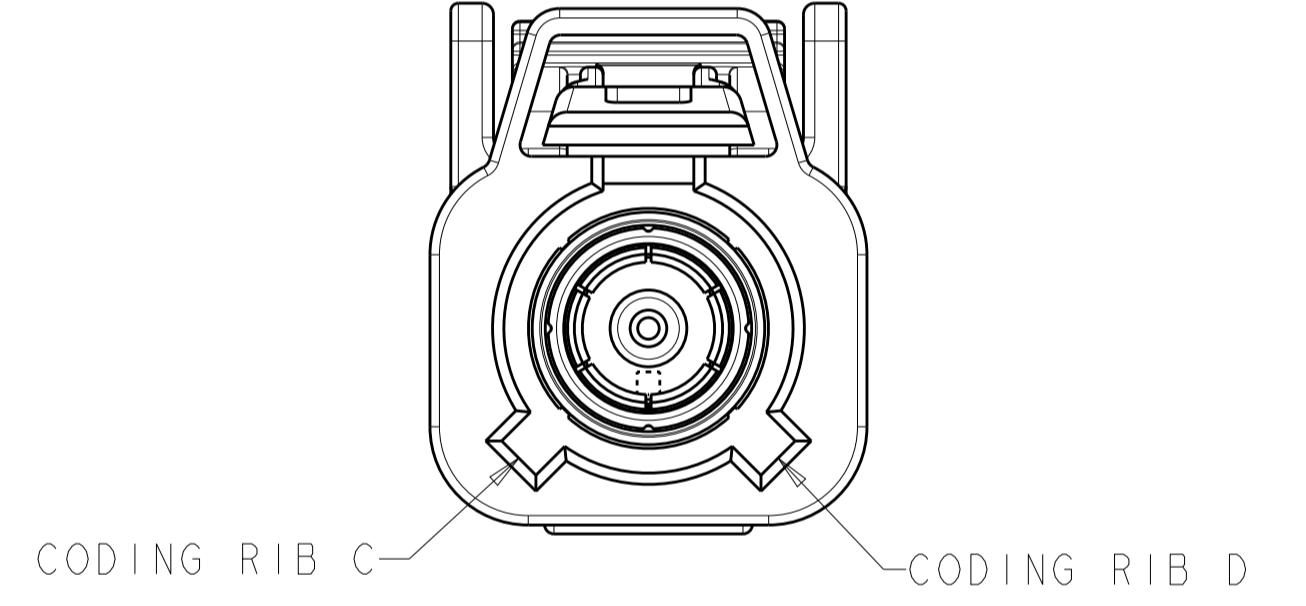
DETAIL C



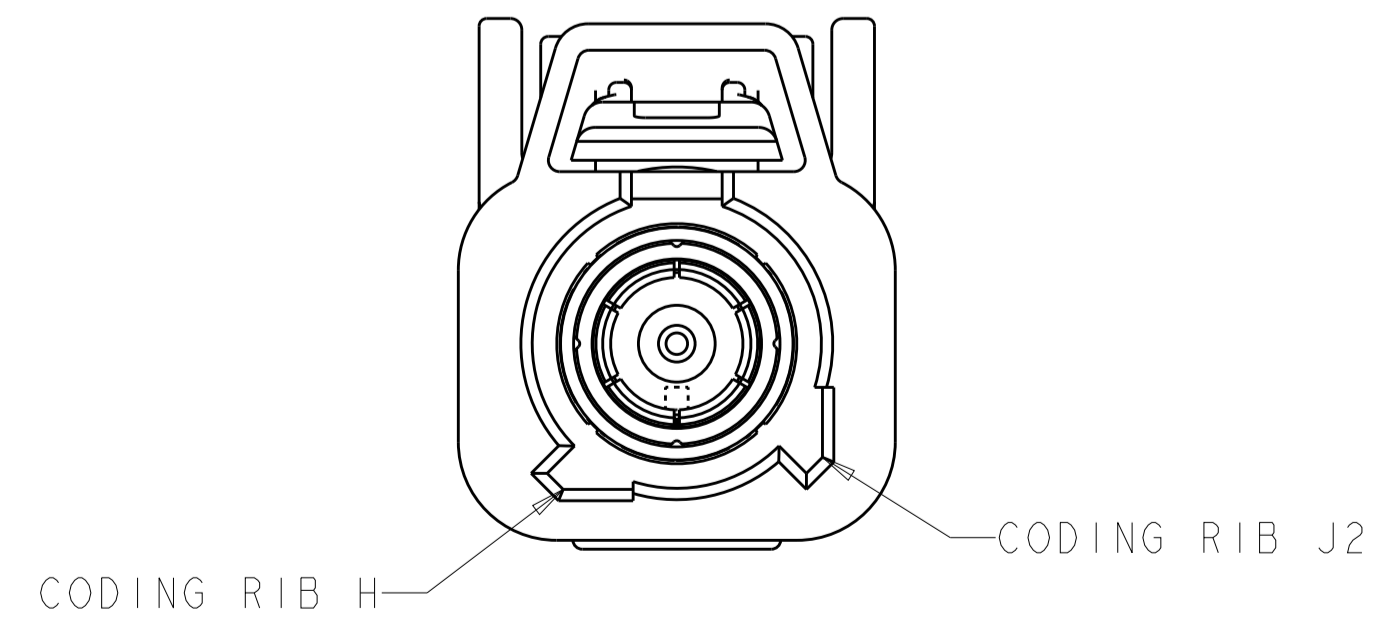
DETAIL D



DETAIL H



DETAIL K



DETAIL M

THIS DRAWING IS A CONTROLLED DOCUMENT.		DMN D. J. HARDY 05JUN2005	TE Connectivity
DIMENSIONS:		CHK J. W. HALL 25AUG2005	
mm	0 PLC ± 1 PLC ± 2 PLC ±0.25 3 PLC ± 4 PLC ± ANGLES ±	APVD J. W. HALL 25AUG2005	NAME PLUG KIT, UNASSEMBLED, 1 POSITION, RG-59, 90 DEGREE, FAKRA, SMB
TOLERANCES UNLESS OTHERWISE SPECIFIED:		PRODUCT SPEC	APPLICATION SPEC
MATERIAL		114-13157	RESTRICTED TO
FINISH		WEIGHT	SIZE A100779C=776683
CUSTOMER DRAWING		SCALE 5:1	SHEET 2 OF 2 REV B1