



Chipsmall Limited consists of a professional team with an average of over 10 year of expertise in the distribution of electronic components. Based in Hongkong, we have already established firm and mutual-benefit business relationships with customers from,Europe,America and south Asia,supplying obsolete and hard-to-find components to meet their specific needs.

With the principle of “Quality Parts,Customers Priority,Honest Operation,and Considerate Service”,our business mainly focus on the distribution of electronic components. Line cards we deal with include Microchip,ALPS,ROHM,Xilinx,Pulse,ON,Everlight and Freescale. Main products comprise IC,Modules,Potentiometer,IC Socket,Relay,Connector.Our parts cover such applications as commercial,industrial, and automotives areas.

We are looking forward to setting up business relationship with you and hope to provide you with the best service and solution. Let us make a better world for our industry!



## Contact us

Tel: +86-755-8981 8866 Fax: +86-755-8427 6832

Email & Skype: info@chipsmall.com Web: www.chipsmall.com

Address: A1208, Overseas Decoration Building, #122 Zhenhua RD., Futian, Shenzhen, China



# Fixed Attenuators

DC-18 GHz

## Type N Medium Power Bi-Directional Fixed Coaxial Attenuators

- Excellent VSWR
- 50 Watts



### Specifications

Type N (M/F), DC to 18 GHz, 50 W

FREQUENCY RANGE (GHz)	MODEL	ATTENUATION (dB)		POWER INPUT (W max.)		VSWR (max.)				WEIGHT (max.)	
		NOMINAL	DEVIATION	AVERAGE*	PEAK	DC-4	4-12.4	12.4-15	15-18	oz.	gr.
DC-18	776C-10	10	±0.5	50	1000	1.30	1.40	1.50	1.50	12	340
	776C-20	20	±0.75	50	1000	1.30	1.35	1.40	1.50	12	340
	776C-30	30	±1.0	50	1000	1.30	1.35	1.40	1.50	12	340

Type N (M/F), DC to 18 GHz, 50 W

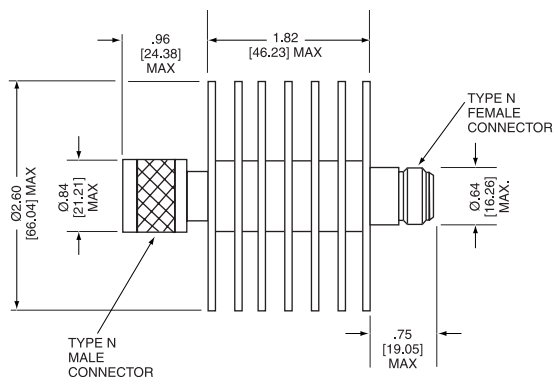
FREQUENCY RANGE (GHz)	MODEL	ATTENUATION (dB)		POWER INPUT (W max.)		VSWR (max.)			WEIGHT (max.)	
		NOMINAL	DEVIATION	AVERAGE*	PEAK	DC-8	8-12.4	12.4-18	oz.	gr.
DC-18	776-40	40	±2.0	50	1000	1.20	1.25	1.35	14	400
	776-50	50	±2.5	50	1000	1.20	1.25	1.35	14	400
	776-60	60	±3.0	50	1000	1.20	1.25	1.35	14	400

\* Power ratings for horizontal operation at +25°C derate linearly to 5 watts at +125°C – see page 53 for derating curve

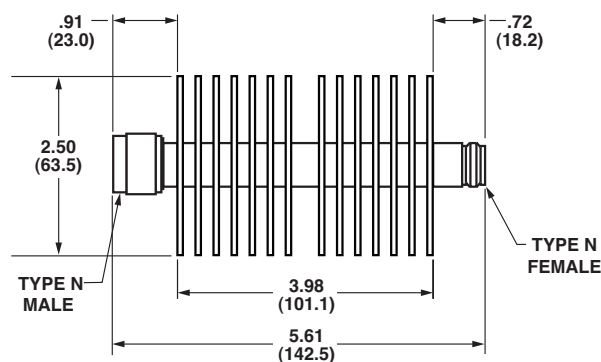
#### NOTE:

Temperature Coefficient: 0.0006 dB/dB/°C; Power Coefficient: 0.0005 dB/dB/W

### Outline Drawings



Model 776C Series



Model 776 Series

Dimensions in inches (mm in parentheses), unless otherwise specified.



50

**narda**  
microwave-east  
an IBC company

www.nardamicrowave.com

E-MAIL: nardaeast@L-3com.com

TEL: +1 631 231-1700