



Chipsmall Limited consists of a professional team with an average of over 10 year of expertise in the distribution of electronic components. Based in Hongkong, we have already established firm and mutual-benefit business relationships with customers from,Europe,America and south Asia,supplying obsolete and hard-to-find components to meet their specific needs.

With the principle of "Quality Parts,Customers Priority,Honest Operation,and Considerate Service",our business mainly focus on the distribution of electronic components. Line cards we deal with include Microchip,ALPS,ROHM,Xilinx,Pulse,ON,Everlight and Freescale. Main products comprise IC,Modules,Potentiometer,IC Socket,Relay,Connector.Our parts cover such applications as commercial,industrial, and automotives areas.

We are looking forward to setting up business relationship with you and hope to provide you with the best service and solution. Let us make a better world for our industry!



Contact us

Tel: +86-755-8981 8866 Fax: +86-755-8427 6832

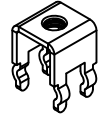
Email & Skype: info@chipsmall.com Web: www.chipsmall.com

Address: A1208, Overseas Decoration Building, #122 Zhenhua RD., Futian, Shenzhen, China

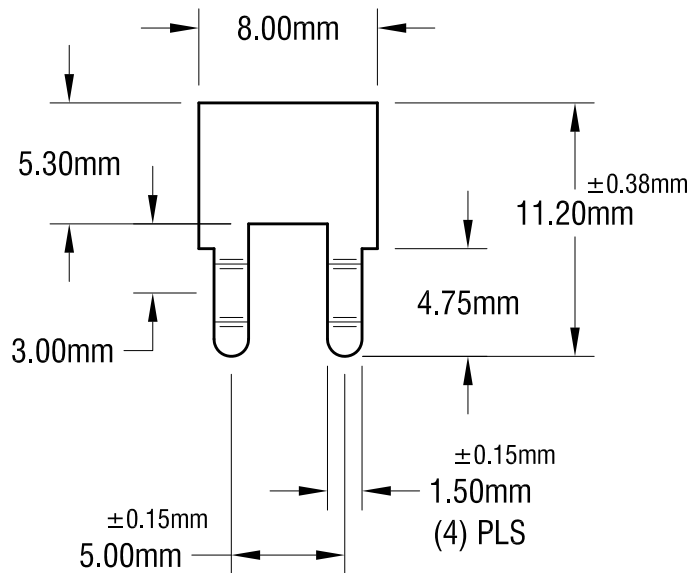
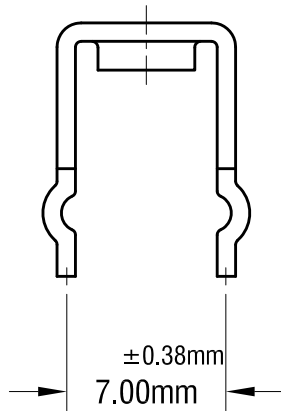
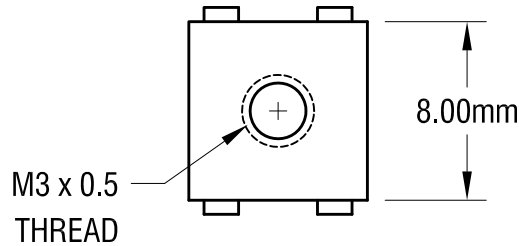
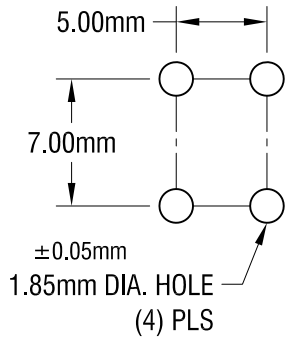


THIS DOCUMENT IS THE PROPERTY OF KEYSTONE ELECTRONICS CORP. AND SHALL NOT BE REPRODUCED, DISTRIBUTED OR USED AS A BASIS FOR MANUFACTURE WITHOUT PRIOR WRITTEN PERMISSION FROM KEYSTONE ELECTRONICS CORP.

ACTUAL SIZE



MOUNTING DETAIL



NOTE:

1. ALL DIMENSIONS ARE IN MILLIMETERS.

9.27.16	CHANGE AS PER ECN16-089	E	KEYSTONE ELECTRONICS CORP. www.keyelco.com • ASTORIA, N.Y. 11105-2017 • Tel (718) 956-8900			
6.18.16	CHANGE AS PER ECN16-070	D	PART NAME PC METRIC SCREW TERMINAL			
3.26.15	CHANGE AS PER ECN15-039	C	MATERIAL 0.8mm TH'K BRASS			
7.15.09	CHANGE AS PER ECN 09-104	B	FINISH MATTE TIN PLATE		DRN BY BOONE	DATE 9.28.01
1.31.08	CHANGE AS PER ECN 089-068	A			APP'D LN	SCALE 3X
DATE	DESCRIPTION	REV.	TOLERANCES DECIMAL ANGULAR	INCH ± ± 1°	[MM] [± 0.25]	CODE DWG NO. 7788
			UNLESS OTHERWISE SPECIFIED			