



Chipsmall Limited consists of a professional team with an average of over 10 year of expertise in the distribution of electronic components. Based in Hongkong, we have already established firm and mutual-benefit business relationships with customers from,Europe,America and south Asia,supplying obsolete and hard-to-find components to meet their specific needs.

With the principle of "Quality Parts,Customers Priority,Honest Operation,and Considerate Service",our business mainly focus on the distribution of electronic components. Line cards we deal with include Microchip,ALPS,ROHM,Xilinx,Pulse,ON,Everlight and Freescale. Main products comprise IC,Modules,Potentiometer,IC Socket,Relay,Connector.Our parts cover such applications as commercial,industrial, and automotives areas.

We are looking forward to setting up business relationship with you and hope to provide you with the best service and solution. Let us make a better world for our industry!



## Contact us

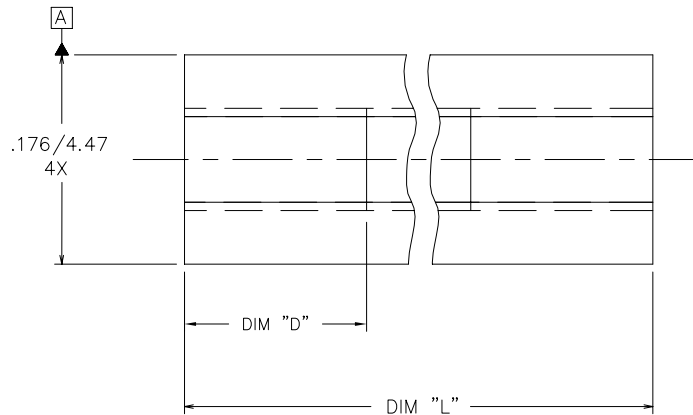
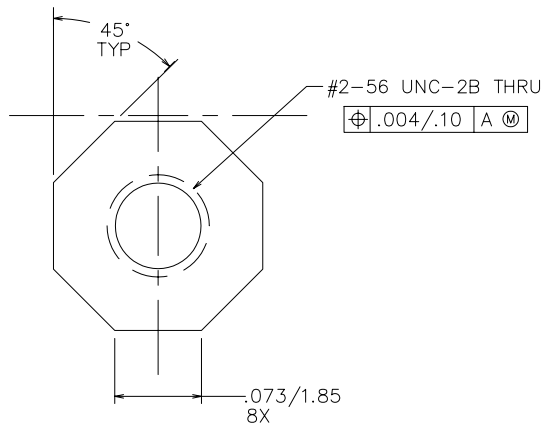
Tel: +86-755-8981 8866 Fax: +86-755-8427 6832

Email & Skype: info@chipsmall.com Web: www.chipsmall.com

Address: A1208, Overseas Decoration Building, #122 Zhenhua RD., Futian, Shenzhen, China



PRODUCT NUMBER	DIM L	DIM D
78059-001	.065/1.65	THRU
78059-001LF		
78059-002	.394/10.00	.157/3.99 (2x)
78059-002LF		



NOTES:

- ① MATERIAL: 416 OR 430 STAINLESS STEEL.
- ② ADD AN LF SUFFIX TO PART NUMBERS FOR PRODUCT THAT MEETS EUROPEAN UNION DIRECTIVES AND OTHER COUNTRY REGULATIONS AS DESCRIBED IN GS-22-008.
3. THIS PRODUCT IS NOT INTENDED TO BE EXPOSED TO MANUFACTURING SOLDER PROCESSES.

mat'l. code		surface ISO 1302 <input checked="" type="checkbox"/>		tolerance ISO 406 ISO 1101		projection 		product family HPC	
ltr		ecn no		date		tolerances unless otherwise specified		title	
A	V12227	SAR	8/27/91	angles	linear	.XX±.01/.3	INCH/MM		OCTAGON NO. 2 MOUNTING NUT
B	V00711	LSS	3/16/00	0'±2'		.xxx±.005/.13	scale 1:1		
C	V05-0964	HTB	10/18/05			.xxxx±.0020/.051			78059
D	M06-0285	AGS	7/10/06	dr	L. SANDERS	3/16/00			
				enr		M. GRAY	3/16/00		A3
				chr		M. GRAY	3/16/00		
				appd		M. GRAY	3/16/00		type Product Customer Drawing
sheet index		revision sheet		D					
		1							

