



Chipsmall Limited consists of a professional team with an average of over 10 year of expertise in the distribution of electronic components. Based in Hongkong, we have already established firm and mutual-benefit business relationships with customers from,Europe,America and south Asia,supplying obsolete and hard-to-find components to meet their specific needs.

With the principle of “Quality Parts,Customers Priority,Honest Operation,and Considerate Service”,our business mainly focus on the distribution of electronic components. Line cards we deal with include Microchip,ALPS,ROHM,Xilinx,Pulse,ON,Everlight and Freescale. Main products comprise IC,Modules,Potentiometer,IC Socket,Relay,Connector.Our parts cover such applications as commercial,industrial, and automotives areas.

We are looking forward to setting up business relationship with you and hope to provide you with the best service and solution. Let us make a better world for our industry!



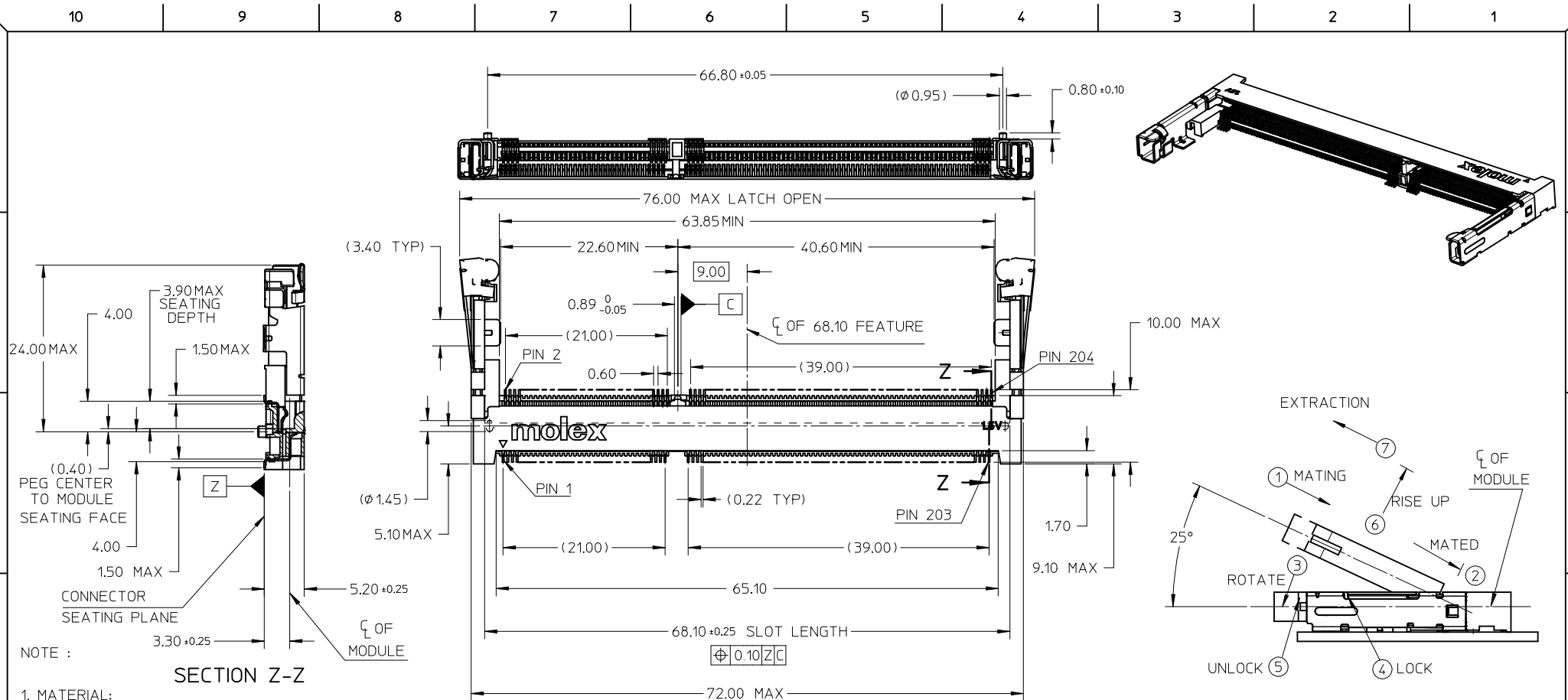
Contact us

Tel: +86-755-8981 8866 Fax: +86-755-8427 6832

Email & Skype: info@chipsmall.com Web: www.chipsmall.com

Address: A1208, Overseas Decoration Building, #122 Zhenhua RD., Futian, Shenzhen, China



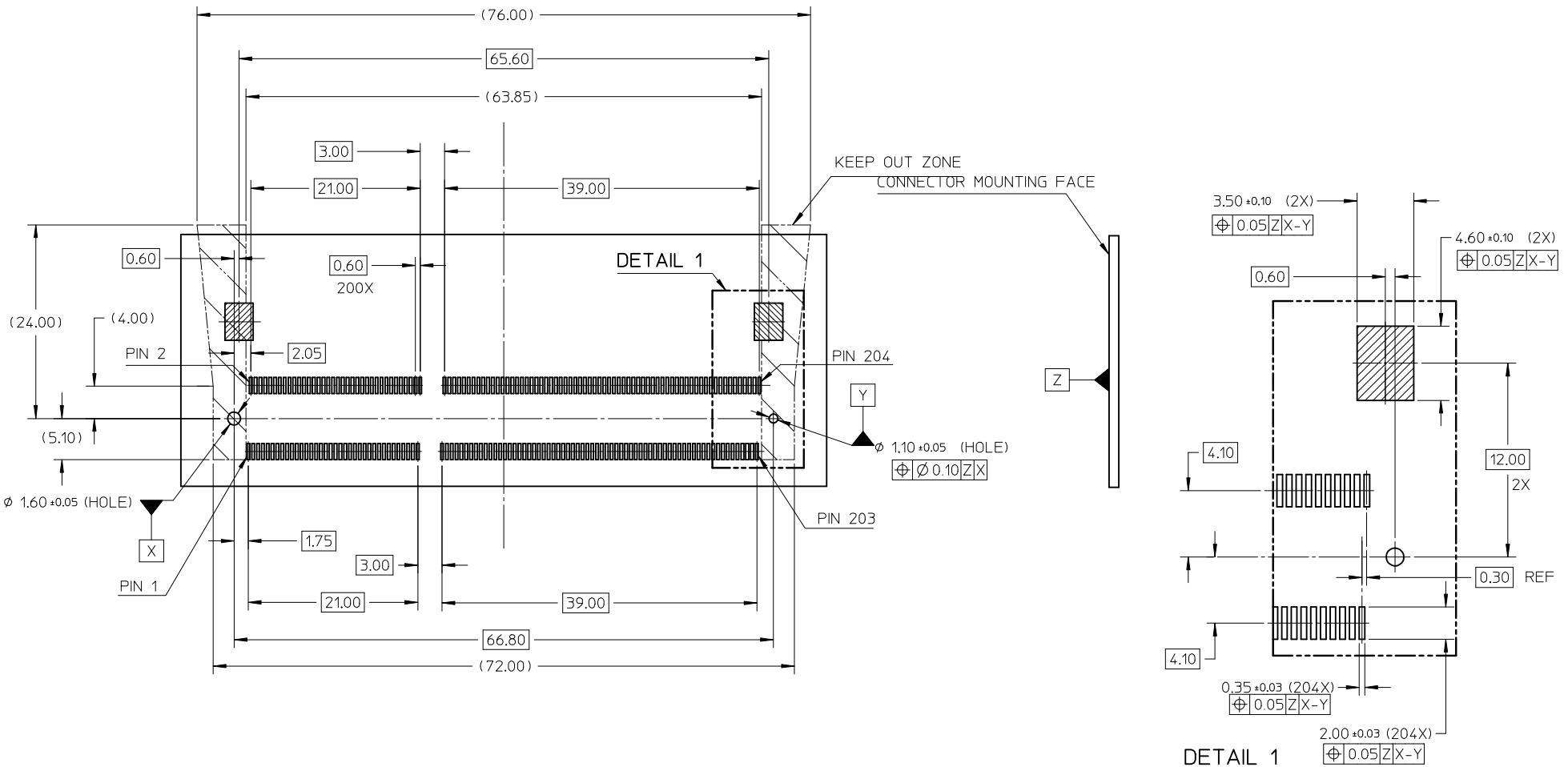


- NOTE :
- SECTION Z-Z**
- MATERIAL:
HOUSING : LCP - UL94V-0. COLOR: BLACK
CONTACTS : COPPER ALLOY
LOCK LEVER : STAINLESS STEEL
 - FINISHES:
CONTACT AREA : REFER TABLE IN SHT 6
SOLDER TAIL AREA : REFER TABLE IN SHT 6
LOCK LEVER SOLDER PAD: 100 MICRINCH / 2.54 MICROMETER MATTE TIN OVER 50 MICRINCH / 1.27 MICROMETER NICKEL.
 - RECOMMENDED MODULE LAYOUT SHALL BE AS PER JEDEC MO-268
 - PRODUCT SPECIFICATION : REFER TABLE IN SHT 6
 - PACKAGING SPECIFICATION : PART SHALL BE PACKED IN TRAY / TAPE & REEL
 - EDGE OF CONTACT PADS SHALL BE FREE OF BURRS AND EXTERNAL TIE BARS
 - THE ADDITION OF THIS BEVEL IS A FABRICATION OPTION AND IS NOT REQUIRED. THE BEVEL AIDS THE INSERTION OF THE MODULES INTO THE CONNECTOR. THE BEVEL MUST NOT ENCORACH ONTO GOLD PADS.
 - COPLANARITY INCLUDES HOLD DOWN 0.1 MAX

THIS DESIGN IS BASED ON DESIGN OBJECTIVES AND IS STRICTLY TENTATIVE IT MAY CHANGE BASED ON RESULTS OF ADDITIONAL DESIGN REVIEWS AND VERIFICATIONS.

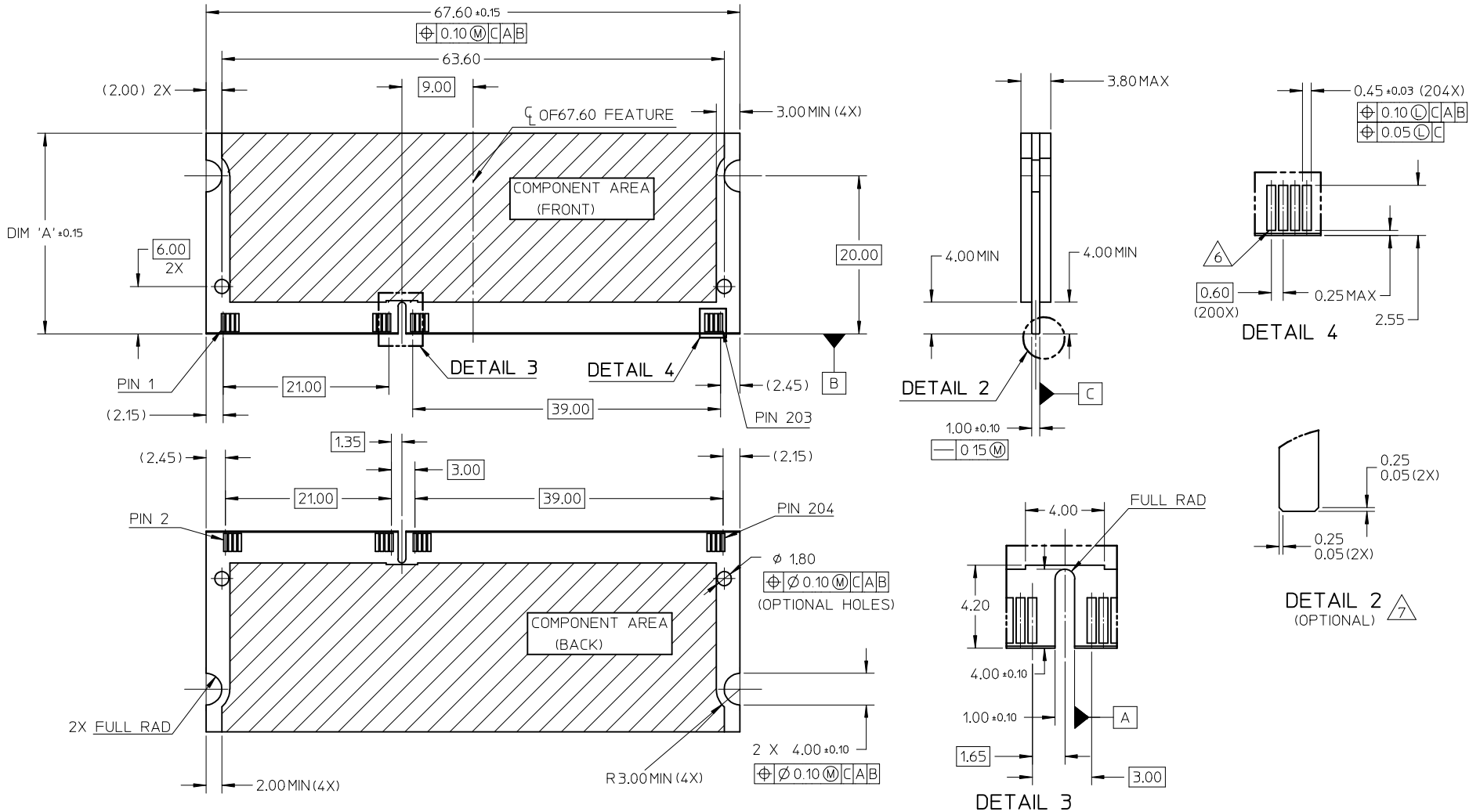
CUST REQ DIM ADD EC NO: S2010-0146 DRWN: VMANICKAM 2009/08/18 CHKD: CCTEH 2009/08/20 APPR: SHLENI 2009/08/20	QUALITY SYMBOLS ▽=0 ◻=0	GENERAL TOLERANCES (UNLESS SPECIFIED)		DIMENSION STYLE MM ONLY		SCALE NTS	DESIGN UNITS METRIC	THIRD ANGLE PROJECTION		
			mm	INCH	DRAWN BY VMANICKAM	DATE 2006/08/08	TITLE DDR3 SO DIMM, 204 CKTS 5.2MM HEIGHT STANDARD ORIENTATION			
		4 PLACES	± ---	± ---	CHECKED BY SHLENI	DATE 2006/09/12	MOLEX INCORPORATED DOCUMENT NO. SD-78121-001 SHEET NO. 1 OF 6			
		3 PLACES	± ---	± ---	APPROVED BY GGLEE	DATE 2006/09/12				
2 PLACES	± 0.2	± ---	ANGULAR ± 1 °		DRAFT WHERE APPLICABLE MUST REMAIN WITHIN DIMENSIONS		SEE TABLE			
1 PLACE	± ---	± ---	MATERIAL NO.		THIS DRAWING CONTAINS INFORMATION THAT IS PROPRIETARY TO MOLEX INCORPORATED AND SHOULD NOT BE USED WITHOUT WRITTEN PERMISSION					

RECOMMENDED PCB LAYOUT FOR STANDARD ORIENTATION (TOP VIEW)



CUST REQ DIM ADD EC NO: S2010-0146 DRWN:VMANICKAM 2009/08/18 CHKD:CCTEH 2009/08/20 APPR:SHLENI 2009/08/20	QUALITY SYMBOLS ▽=0 ◻=0	GENERAL TOLERANCES (UNLESS SPECIFIED) mm INCH 4 PLACES ± --- ± --- 3 PLACES ± --- ± --- 2 PLACES ± 0.2 ± --- 1 PLACE ± --- ± --- ANGULAR ± 1°	DIMENSION STYLE MM ONLY DRAWN BY: VMANICKAM CHECKED BY: SHLENI APPROVED BY: GGLEE MATERIAL NO.	DATE: 2006/08/08 DATE: 2006/09/12 DATE: 2006/09/12	SCALE: NTS DESIGN UNITS: METRIC THIRD ANGLE PROJECTION	TITLE: DDR3 SO DIMM, 204 CKTS 5.2MM HEIGHT STANDARD ORIENTATION MOLEX INCORPORATED	SHEET NO. 2 OF 6
	DRAFT WHERE APPLICABLE MUST REMAIN WITHIN DIMENSIONS	SEE TABLE	DOCUMENT NO. SD-78121-001	THIS DRAWING CONTAINS INFORMATION THAT IS PROPRIETARY TO MOLEX INCORPORATED AND SHOULD NOT BE USED WITHOUT WRITTEN PERMISSION			
	A4	REV					

RECOMMENDED MATING PCB CONFIGURATION



SDRAM VARIATIONS FROM JEDEC MO-268			
	AA	BB	CC
DIM 'A'	25.40	31.75	30.00

CUST REQ DIM ADD	2009/08/18
EC NO: S2010-0146	2009/08/20
DRWN: VMANICKAM	2009/08/20
CHKD: CCTEH	2009/08/20
APPR: SHLENI	2009/08/20
REV	
A4	

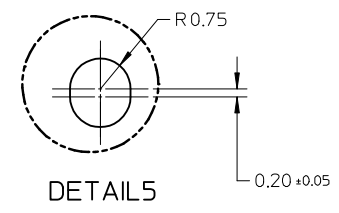
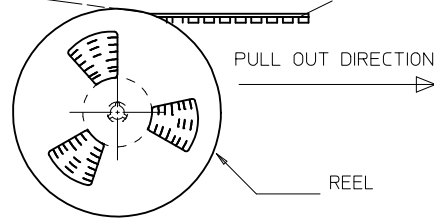
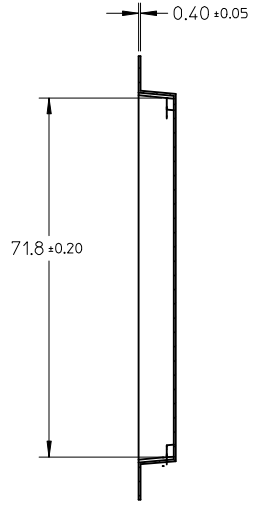
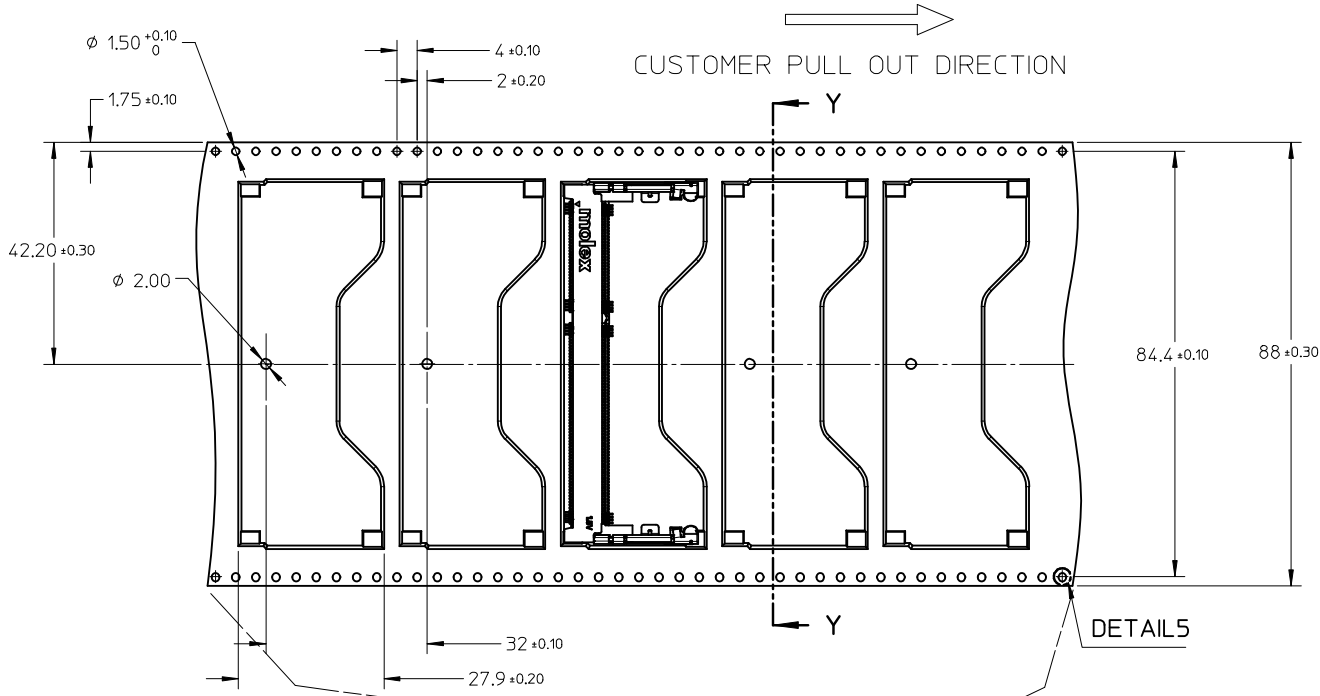
QUALITY SYMBOLS	DESCRIPTION
▽=0	
∇=0	

GENERAL TOLERANCES (UNLESS SPECIFIED)	
mm	INCH
4 PLACES ± ---	± ---
3 PLACES ± ---	± ---
2 PLACES ± 0.2	± ---
1 PLACE ± ---	± ---
ANGULAR ± 1 °	
DRAFT WHERE APPLICABLE MUST REMAIN WITHIN DIMENSIONS	

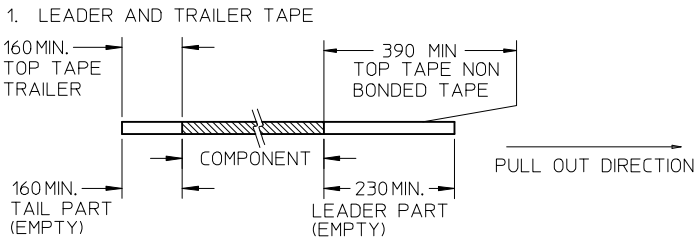
DIMENSION STYLE	
MM ONLY	
DRAWN BY	DATE
VMANICKAM	2006/08/08
CHECKED BY	DATE
SHLENI	2006/09/12
APPROVED BY	DATE
GGLEE	2006/09/12
MATERIAL NO.	
SEE TABLE	
SIZE	
A3	

SCALE	DESIGN UNITS	THIRD ANGLE PROJECTION
NTS	METRIC	
TITLE		
DDR3 SO DIMM, 204 CKTS		
5.2MM HEIGHT		
STANDARD ORIENTATION		
molex MOLEX INCORPORATED		
MATERIAL NO.	DOCUMENT NO.	SHEET NO.
	SD-78121-001	3 OF 6
THIS DRAWING CONTAINS INFORMATION THAT IS PROPRIETARY TO MOLEX INCORPORATED AND SHOULD NOT BE USED WITHOUT WRITTEN PERMISSION		

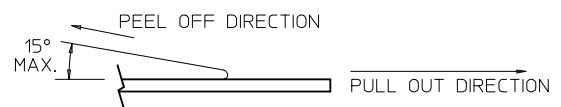
10 9 8 7 6 5 4 3 2 1



NOTES:



2. PEELING OFF FORCE OF THE TOP TAPE: 10 - 150gf. (PEELING DIRECTION AS SHOWN IN FOLLOWING FIGURE)

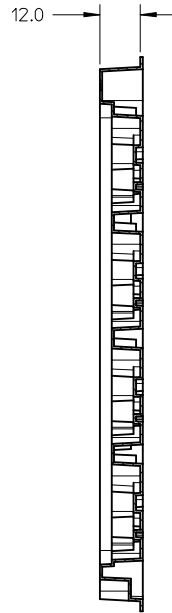


- 3. TAPE AND REEL SPECIFICATION IS AS PER EIA-481.
- 4. TAPE AND REEL QUANTITY : 200 PCS/ REEL.
- 5. THE TAPE IS TREATED FOR ANTI-STATIC.

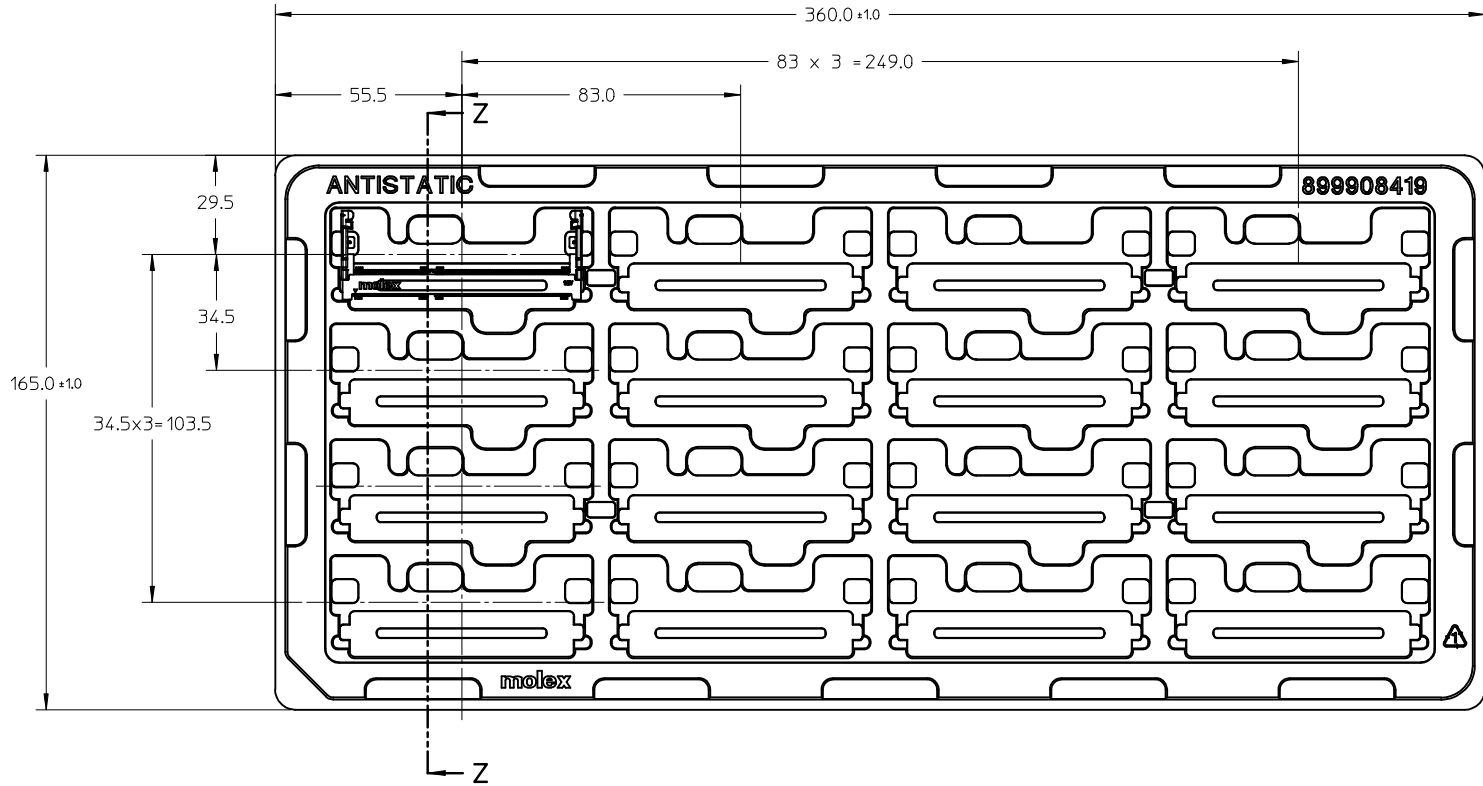
CUST REQ DIM ADD EC NO: S2010-0146 DRWN:VMANICKAM 2009/08/18 CHKD:CCTEH 2009/08/20 APPR:SHLENI 2009/08/20	QUALITY SYMBOLS	GENERAL TOLERANCES (UNLESS SPECIFIED)		DIMENSION STYLE MM ONLY		SCALE NTS	DESIGN UNITS METRIC	THIRD ANGLE PROJECTION	
	▽=0 ⊕=0	mm	INCH	DRAWN BY VMANICKAM	DATE 2006/08/08	TITLE DDR3 SO DIMM, 204 CKTS 5.2MM HEIGHT STANDARD ORIENTATION			
		4 PLACES ± --- ± ---	3 PLACES ± --- ± ---	CHECKED BY SHLENI	DATE 2006/09/12	MOLEX INCORPORATED			
		2 PLACES ± 0.2 ± ---	1 PLACE ± --- ± ---	APPROVED BY GGLEE	DATE 2006/09/12	DOCUMENT NO. SD-78121-001			
	ANGULAR ± 1 °		MATERIAL NO.		SEE TABLE		SHEET NO. 4 OF 6		
	DRAFT WHERE APPLICABLE MUST REMAIN WITHIN DIMENSIONS		SIZE A3		THIS DRAWING CONTAINS INFORMATION THAT IS PROPRIETARY TO MOLEX INCORPORATED AND SHOULD NOT BE USED WITHOUT WRITTEN PERMISSION				

9 8 7 6 5 4 3 2 1

10 9 8 7 6 5 4 3 2 1



SECTION Z-Z



NOTES:

- 1. NO OF CAVITY : 4 X 4 = 16
- 2. UNSPECIFIED TOLERANCE FOR TRAY ±0.5

CUST REQ DIM ADD EC NO: S2010-0146 DRWN: VMANICKAM 2009/08/18 CHKD: CCTE 2009/08/20 APPR: SHLENI 2009/08/20	QUALITY SYMBOLS	GENERAL TOLERANCES (UNLESS SPECIFIED)		DIMENSION STYLE	SCALE	DESIGN UNITS	THIRD ANGLE PROJECTION	
	▽ = 0 ◻ = 0	mm	INCH	MM ONLY	NTS	METRIC		
		4 PLACES ± --- ± ---	3 PLACES ± --- ± ---	DRAWN BY	DATE	TITLE		
		2 PLACES ± 0.2 ± ---	1 PLACE ± --- ± ---	CHECKED BY	DATE	DDR3 SO DIMM, 204 CKTS 5.2MM HEIGHT STANDARD ORIENTATION		
	ANGULAR ± 1 °		APPROVED BY	DATE	MOLEX INCORPORATED			
	DRAFT WHERE APPLICABLE MUST REMAIN WITHIN DIMENSIONS		MATERIAL NO.	DOCUMENT NO.		SHEET NO.		
A4	REV	SEE TABLE		SD-78121-001		5 OF 6		
		SIZE A3		THIS DRAWING CONTAINS INFORMATION THAT IS PROPRIETARY TO MOLEX INCORPORATED AND SHOULD NOT BE USED WITHOUT WRITTEN PERMISSION				

9 8 7 6 5 4 3 2 1

PART NO	CONTACT AREA FINISH	SOLDER TAIL FINISH	PACKAGING	PRODUCT SPECIFICATION
78121-0001	3µN GOLD OVER 50µN/1.27µM NICKEL	100 MICROINCH /2.54 MICROMETER MATTE TIN OVER 50 MICEOINCH / 1.27 MICROMETER.	TRAY (360X165MM)	PS-78121-003
78121-1501	15µN/0.38µM GOLD OVER 50µN/1.27µM NICKEL			PS-78121-002
78121-3001	30µN/0.76µM GOLD OVER 50µN/1.27µM NICKEL			PS-78121-001
78121-0002	3µN GOLD OVER 50µN/1.27µM NICKEL			PS-78121-003
78121-1502	15µN/0.38µM GOLD OVER 50µN/1.27µM NICKEL			PS-78121-002
78121-3002	30µN/0.76µM GOLD OVER 50µN/1.27µM NICKEL			PS-78121-001
78121-0011	3µN GOLD OVER 50µN/1.27µM NICKEL	100 MICROINCH /2.54 MICROMETER MATTE TIN OVER 50 MICEOINCH / 1.27 MICROMETER.	TAPE&REEL	PS-78121-003
78121-1511	15µN/0.38µM GOLD OVER 50µN/1.27µM NICKEL			PS-78121-002
78121-3011	30µN/0.76µM GOLD OVER 50µN/1.27µM NICKEL			PS-78121-001
78121-0012	3µN GOLD OVER 50µN/1.27µM NICKEL			PS-78121-003
78121-1512	15µN/0.38µM GOLD OVER 50µN/1.27µM NICKEL			PS-78121-002
78121-3012	30µN/0.76µM GOLD OVER 50µN/1.27µM NICKEL			PS-78121-001

CUST REQ DIM ADD EC NO: S2010-0146 DRWN:VMANICKAM 2009/08/18 CHKD:CCTEH 2009/08/20 APPR:SHLENI 2009/08/20	QUALITY SYMBOLS ▽=0 ◻=0	GENERAL TOLERANCES (UNLESS SPECIFIED) <table border="1"> <tr> <td></td> <td>mm</td> <td>INCH</td> </tr> <tr> <td>4 PLACES</td> <td>± ---</td> <td>± ---</td> </tr> <tr> <td>3 PLACES</td> <td>± ---</td> <td>± ---</td> </tr> <tr> <td>2 PLACES</td> <td>± 0.2</td> <td>± ---</td> </tr> <tr> <td>1 PLACE</td> <td>± ---</td> <td>± ---</td> </tr> </table>		mm	INCH	4 PLACES	± ---	± ---	3 PLACES	± ---	± ---	2 PLACES	± 0.2	± ---	1 PLACE	± ---	± ---	DIMENSION STYLE MM ONLY	SCALE NTS	DESIGN UNITS METRIC	THIRD ANGLE PROJECTION
		mm	INCH																		
	4 PLACES	± ---	± ---																		
	3 PLACES	± ---	± ---																		
2 PLACES	± 0.2	± ---																			
1 PLACE	± ---	± ---																			
DRAWN BY VMANICKAM	DATE 2006/08/08	TITLE DDR3 SO DIMM, 204 CKTS 5.2MM HEIGHT STANDARD ORIENTATION																			
CHECKED BY SHLENI	DATE 2006/09/12	MOLEX INCORPORATED																			
APPROVED BY GGLEE	DATE 2006/09/12	MATERIAL NO. SEE TABLE	DOCUMENT NO. SD-78121-001	SHEET NO. 6 OF 6																	