



Chipsmall Limited consists of a professional team with an average of over 10 year of expertise in the distribution of electronic components. Based in Hongkong, we have already established firm and mutual-benefit business relationships with customers from,Europe,America and south Asia,supplying obsolete and hard-to-find components to meet their specific needs.

With the principle of “Quality Parts,Customers Priority,Honest Operation,and Considerate Service”,our business mainly focus on the distribution of electronic components. Line cards we deal with include Microchip,ALPS,ROHM,Xilinx,Pulse,ON,Everlight and Freescale. Main products comprise IC,Modules,Potentiometer,IC Socket,Relay,Connector.Our parts cover such applications as commercial,industrial, and automotives areas.

We are looking forward to setting up business relationship with you and hope to provide you with the best service and solution. Let us make a better world for our industry!



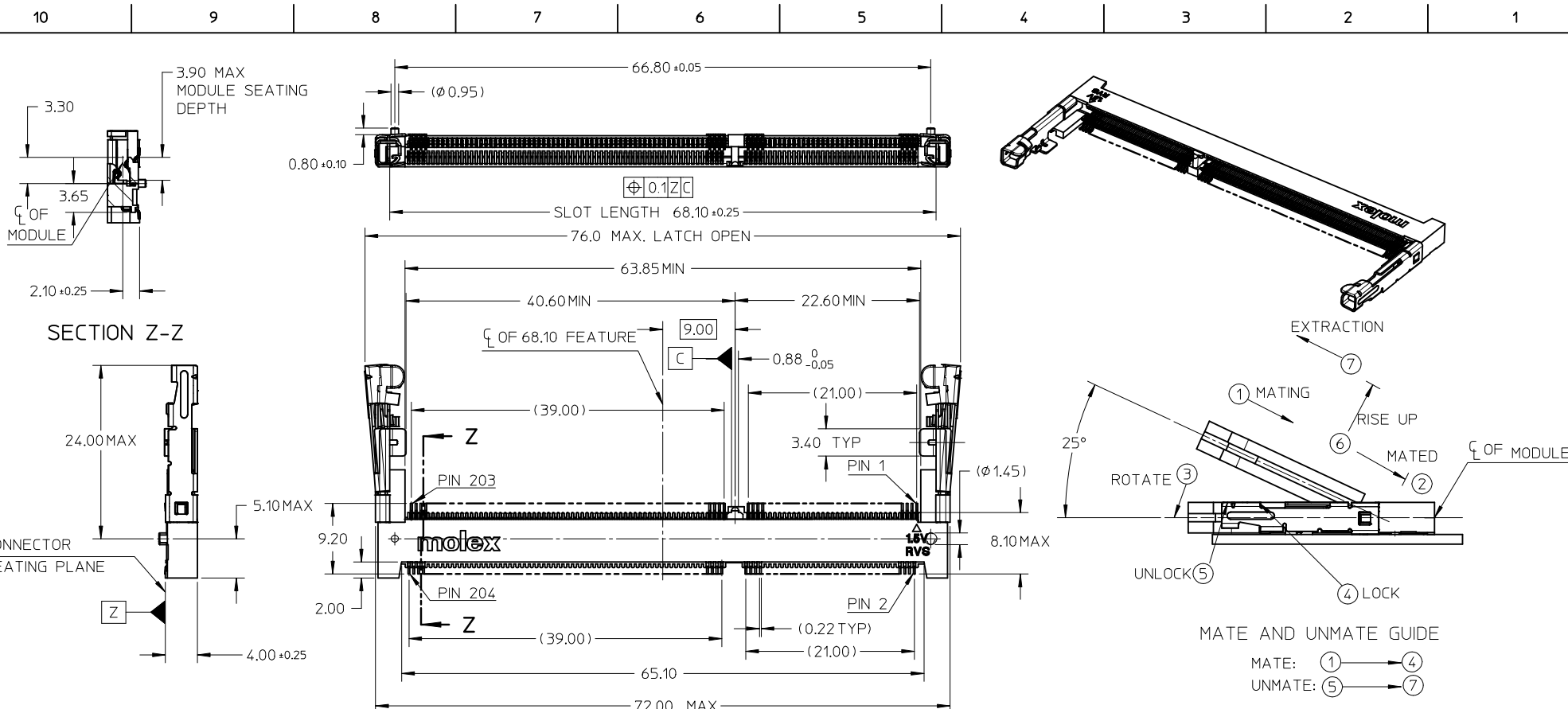
Contact us

Tel: +86-755-8981 8866 Fax: +86-755-8427 6832

Email & Skype: info@chipsmall.com Web: www.chipsmall.com

Address: A1208, Overseas Decoration Building, #122 Zhenhua RD., Futian, Shenzhen, China





NOTE :

1.MATERIAL:
 HOUSING : LCP - UL94V-0, COLOR: BLACK
 CONTACTS : COPPER ALLOY
 LOCK LEVER : STAINLESS STEEL

2.FINISHES:
 CONTACT AREA : REFER TABLE.
 SOLDER TAIL AREA : GOLD FLASH OVER 50μN/1.27μM NICKEL.
 LOCK LEVER SOLDER PAD:100μN/2.54μM MATTE TIN OVER 50μN/1.27μM NICKEL.

3.RECOMMENDED MODULE LAYOUT SHALL BE AS PER JEDEC MO-268

4.PRODUCT SPEC AS PER - PS-78195-001 & PS-78195-003

5.PART SHALL BE PACKED IN TRAY / TAPE & REEL

PART NO.	CONTACT AREA FINISH	SOLDER TAIL FINISH	PACKAGING
78195-0001	3μN/0.076μM GOLD OVER 50μN/1.27μM NICKEL	GOLD FLASH OVER 50μN/1.27μM NICKEL	TRAY
78195-1501	15μN/0.38μM GOLD OVER 50μN/1.27μM NICKEL		
78195-3001	30μN/0.76μM GOLD OVER 50μN/1.27μM NICKEL	GOLD FLASH OVER 50μN/1.27μM NICKEL	TAPE & REEL
78195-0011	3μN/0.076μM GOLD OVER 50μN/1.27μM NICKEL		
78195-1511	15μN/0.38μM GOLD OVER 50μN/1.27μM NICKEL		
78195-3011	30μN/0.76μM GOLD OVER 50μN/1.27μM NICKEL		

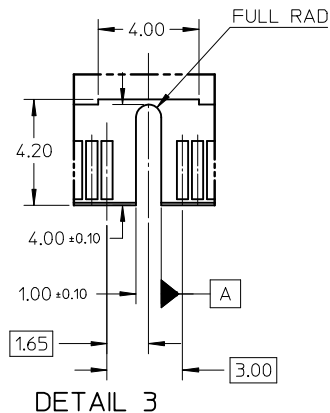
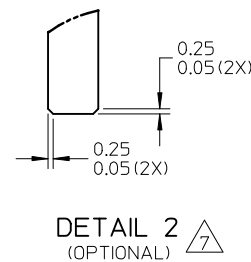
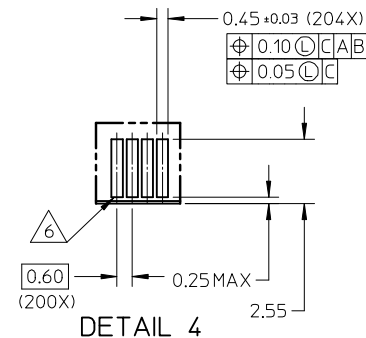
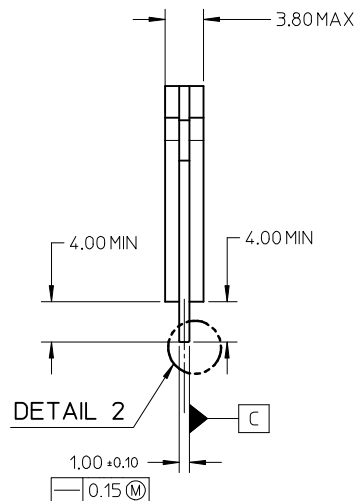
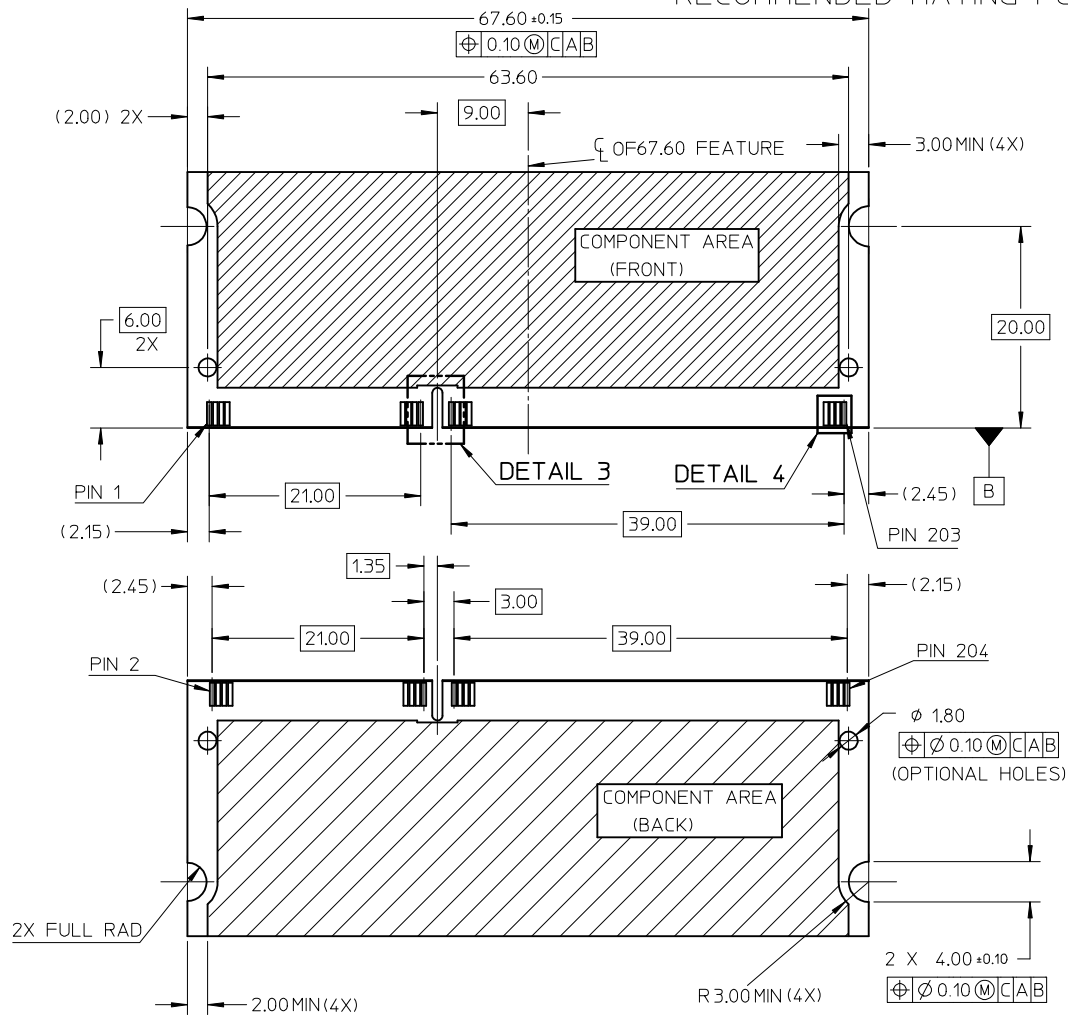
6.EDGE OF CONTACT PADS SHALL BE FREE OF BURRS AND EXTERNAL TIE BARS

7.THE ADDITION OF THIS BEVEL IS A FABRICATION OPTION AND IS NOT REQUIRED. THE BEVEL AIDS THE INSERTION OF THE MODULES INTO THE CONNECTOR. THE BEVEL MUST NOT ENCR OACH ONTO GOLD PADS.

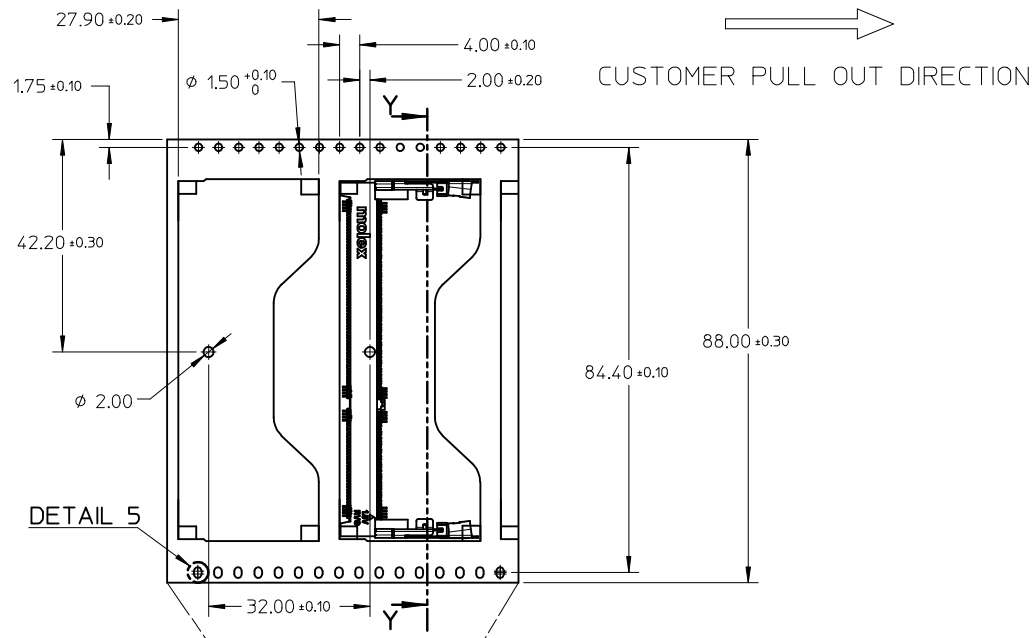
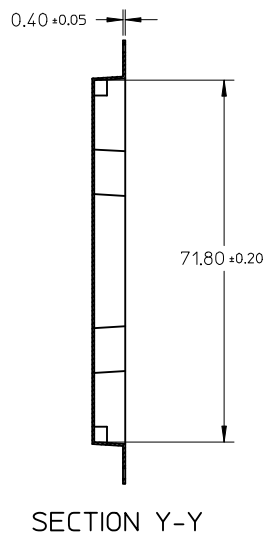
8.COPLANARITY INCLUDES HOLD DOWN 0.1 MAX

ADD GF DETAILS EC NO: S2010-0162 DRWN:TARUMUGHAM 2009/08/28 CHKD:CGTAN 2009/08/28 APPR:SHLENI 2009/09/02 A3	QUALITY SYMBOLS ▽=0 ◻=0	GENERAL TOLERANCES (UNLESS SPECIFIED)		DIMENSION STYLE MM ONLY	SCALE NTS	DESIGN UNITS METRIC	THIRD ANGLE PROJECTION
		4 PLACES ± --- ± --- 3 PLACES ± --- ± --- 2 PLACES ± 0.2 ± --- 1 PLACE ± --- ± ---	mm INCH	DRAWN BY: VMANICKAM DATE: 2007/08/07	TITLE: DDR3 SODIMM 204 CKTS, 4.0MM HEIGHT REVERSE ORIENTATION		
		ANGULAR ± 2 °		CHECKED BY: CCTEH DATE: 2007/09/03	MOLEX INCORPORATED		
		DRAFT WHERE APPLICABLE MUST REMAIN WITHIN DIMENSIONS		APPROVED BY: SHLENI DATE: 2007/09/03	MOLEX INCORPORATED DOCUMENT NO: SD-78195-001 SHEET NO: 1 OF 5		

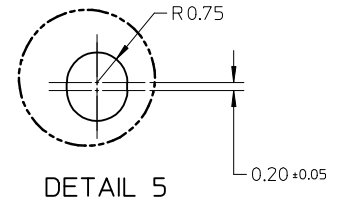
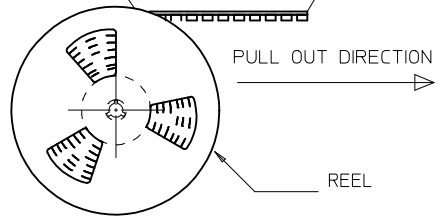
RECOMMENDED MATING PCB CONFIGURATION



ADD GF DETAILS EC NO: S2010-0162 DRWN: TARUIGHAM 2009/08/28 CHKD: CGTAN 2009/08/28 APPR: SHLENI 2009/09/02	QUALITY SYMBOLS	GENERAL TOLERANCES (UNLESS SPECIFIED)		DIMENSION STYLE MM ONLY		SCALE NTS	DESIGN UNITS METRIC	THIRD ANGLE PROJECTION	
	▽=0	mm	INCH	DRAWN BY	DATE	TITLE			
	∠=0	4 PLACES ± ---	± ---	VMANICKAM	2007/08/07	DDR3 SODIMM			
		3 PLACES ± ---	± ---	CCTEH	2007/09/03	204 CKTS, 4.0MM HEIGHT REVERSE ORIENTATION			
	2 PLACES ± 0.2	± ---	APPROVED BY		DATE	MOLEX INCORPORATED			
	1 PLACE ± ---	± ---	SHLENI		2007/09/03	DOCUMENT NO. SD-78195-001			
	ANGULAR ± 2 °	DRAFT WHERE APPLICABLE MUST REMAIN WITHIN DIMENSIONS		MATERIAL NO. SEE TABLE		SHEET NO. 3 OF 5			
A3	REV	SIZE A3		THIS DRAWING CONTAINS INFORMATION THAT IS PROPRIETARY TO MOLEX INCORPORATED AND SHOULD NOT BE USED WITHOUT WRITTEN PERMISSION					

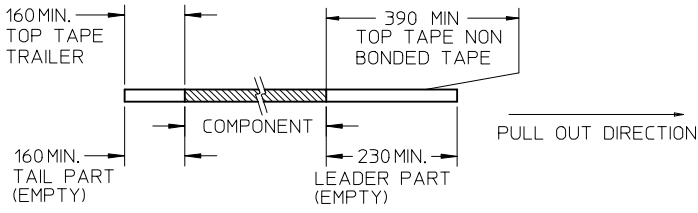


DETAIL 5

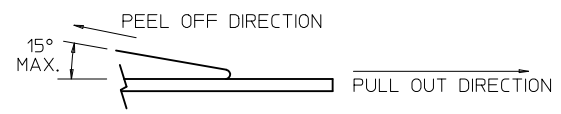


NOTES:

1. LEADER AND TRAILER TAPE



2. PEELING OFF FORCE OF THE TOP TAPE: 10 - 150gf AS PER EIA-481-B (PEELING DIRECTION AS SHOWN IN FOLLOWING FIGURE)



- 3. TAPE AND REEL SPECIFICATION IS AS PER EIA-481.
- 4. TAPE AND REEL QUANTITY : 250 PCS/ REEL.
- 5. THE TAPE IS TREATED FOR ANTI-STATIC.

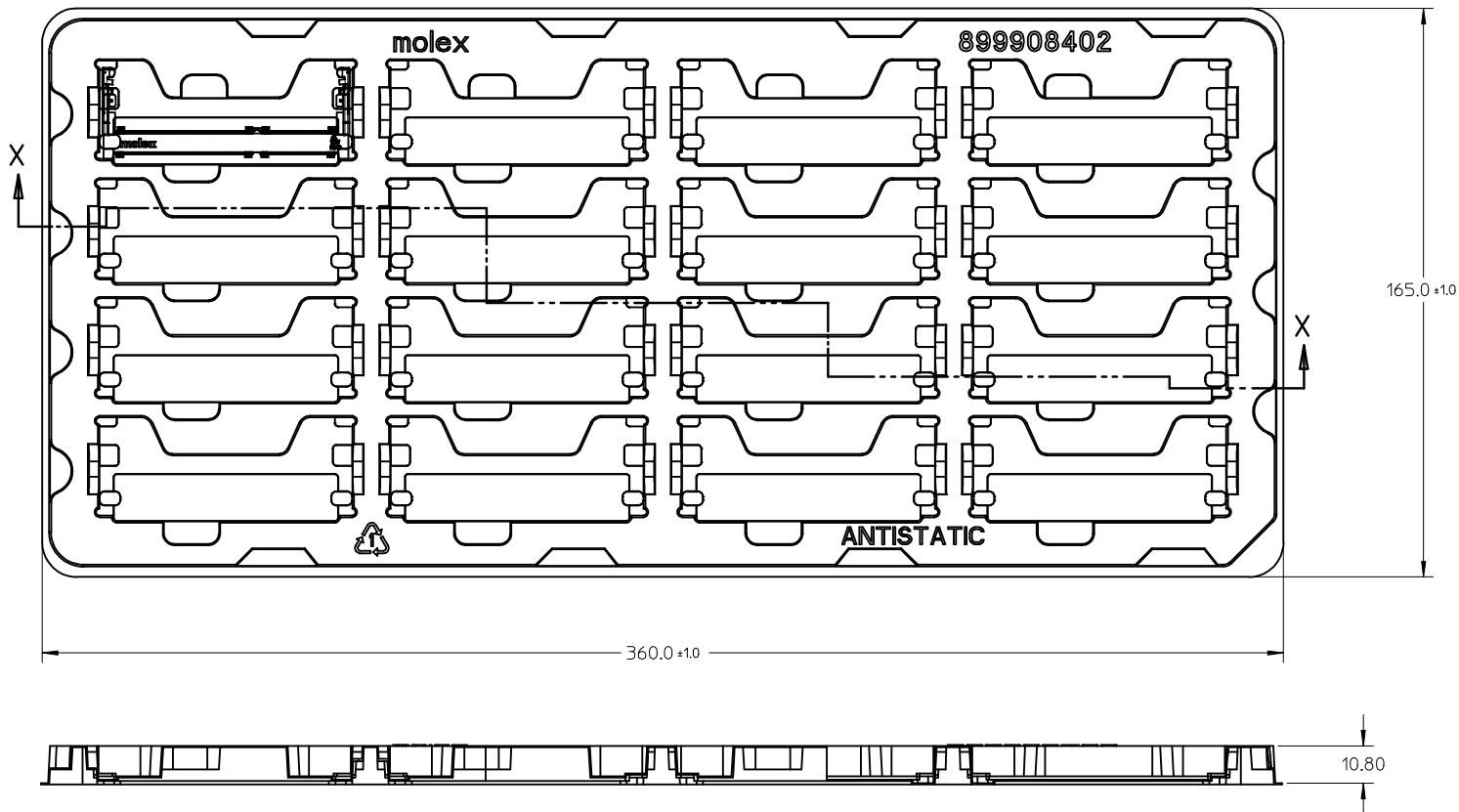
ADD GF DETAILS EC NO: S2010-0162 DRWN: TARUNGHAM 2009/08/28 CHKD: CGTAN 2009/08/28 APPR: SHLENI 2009/09/02	QUALITY SYMBOLS	GENERAL TOLERANCES (UNLESS SPECIFIED)	DIMENSION STYLE	SCALE	DESIGN UNITS	THIRD ANGLE PROJECTION														
	<p>▽=0</p> <p>□=0</p>	<table border="1"> <thead> <tr> <th></th> <th>mm</th> <th>INCH</th> </tr> </thead> <tbody> <tr> <td>4 PLACES</td> <td>± ---</td> <td>± ---</td> </tr> <tr> <td>3 PLACES</td> <td>± ---</td> <td>± ---</td> </tr> <tr> <td>2 PLACES</td> <td>± 0.2</td> <td>± ---</td> </tr> <tr> <td>1 PLACE</td> <td>± ---</td> <td>± ---</td> </tr> </tbody> </table> <p>ANGULAR ± 2 °</p>		mm	INCH	4 PLACES	± ---	± ---	3 PLACES	± ---	± ---	2 PLACES	± 0.2	± ---	1 PLACE	± ---	± ---	MM ONLY	NTS	METRIC
	mm	INCH																		
4 PLACES	± ---	± ---																		
3 PLACES	± ---	± ---																		
2 PLACES	± 0.2	± ---																		
1 PLACE	± ---	± ---																		

DRAWN BY VMANICKAM	DATE	2007/08/07
	CHECKED BY CCTEH	DATE
APPROVED BY SHLENI	DATE	2007/09/03
MATERIAL NO.	SEE TABLE	

TITLE	
DDR3 SODIMM 204 CKTS, 4.0MM HEIGHT REVERSE ORIENTATION	
MOLEX INCORPORATED	
DOCUMENT NO.	SD-78195-001
SHEET NO.	4 OF 5

THIS DRAWING CONTAINS INFORMATION THAT IS PROPRIETARY TO MOLEX INCORPORATED AND SHOULD NOT BE USED WITHOUT WRITTEN PERMISSION	
---	--

10 9 8 7 6 5 4 3 2 1



SECTION X-X

- NOTES:
 1. DRAFT ANGLE OF 3° UNLESS OTHERWISE SPECIFIED
 2. CAVITY QTY: 4X4=16

ADD GF DETAILS EC NO: S2010-0162 DRWN: TARUIGHAM 2009/08/28 CHKD: CGTAN 2009/08/28 APPR: SHLENI 2009/09/02	QUALITY SYMBOLS ▽=0 ◻=0	GENERAL TOLERANCES (UNLESS SPECIFIED)		DIMENSION STYLE MM ONLY	SCALE NTS	DESIGN UNITS METRIC	THIRD ANGLE PROJECTION		
			mm	INCH	DRAWN BY VMANICKAM	DATE 2007/08/07	TITLE DDR3 SODIMM 204 CKTS, 4.0MM HEIGHT REVERSE ORIENTATION		
		4 PLACES	± ---	± ---	CHECKED BY CCTEH	DATE 2007/09/03	MOLEX INCORPORATED		
		3 PLACES	± ---	± ---	APPROVED BY SHLENI	DATE 2007/09/03	MATERIAL NO. SEE TABLE	DOCUMENT NO. SD-78195-001	SHEET NO. 5 OF 5
2 PLACES	± 0.2	± ---	ANGULAR ± 2 °		THIS DRAWING CONTAINS INFORMATION THAT IS PROPRIETARY TO MOLEX INCORPORATED AND SHOULD NOT BE USED WITHOUT WRITTEN PERMISSION				
1 PLACE	± ---	± ---	DRAFT WHERE APPLICABLE MUST REMAIN WITHIN DIMENSIONS						

9 8 7 6 5 4 3 2 1