



Chipsmall Limited consists of a professional team with an average of over 10 year of expertise in the distribution of electronic components. Based in Hongkong, we have already established firm and mutual-benefit business relationships with customers from,Europe,America and south Asia,supplying obsolete and hard-to-find components to meet their specific needs.

With the principle of "Quality Parts,Customers Priority,Honest Operation,and Considerate Service",our business mainly focus on the distribution of electronic components. Line cards we deal with include Microchip,ALPS,ROHM,Xilinx,Pulse,ON,Everlight and Freescale. Main products comprise IC,Modules,Potentiometer,IC Socket,Relay,Connector.Our parts cover such applications as commercial,industrial, and automotives areas.

We are looking forward to setting up business relationship with you and hope to provide you with the best service and solution. Let us make a better world for our industry!



## Contact us

Tel: +86-755-8981 8866 Fax: +86-755-8427 6832

Email & Skype: info@chipsmall.com Web: www.chipsmall.com

Address: A1208, Overseas Decoration Building, #122 Zhenhua RD., Futian, Shenzhen, China



10 9 8 7 6 5 4 3 2 1

F

E

D

C

B

A

F

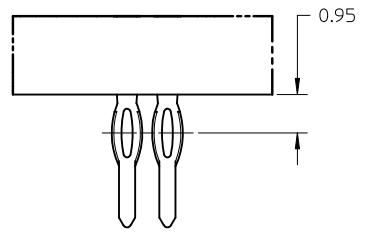
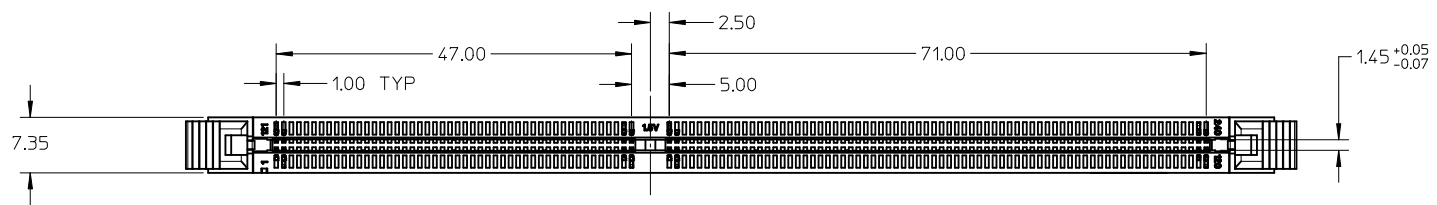
E

D

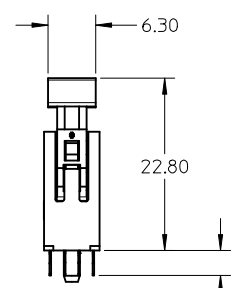
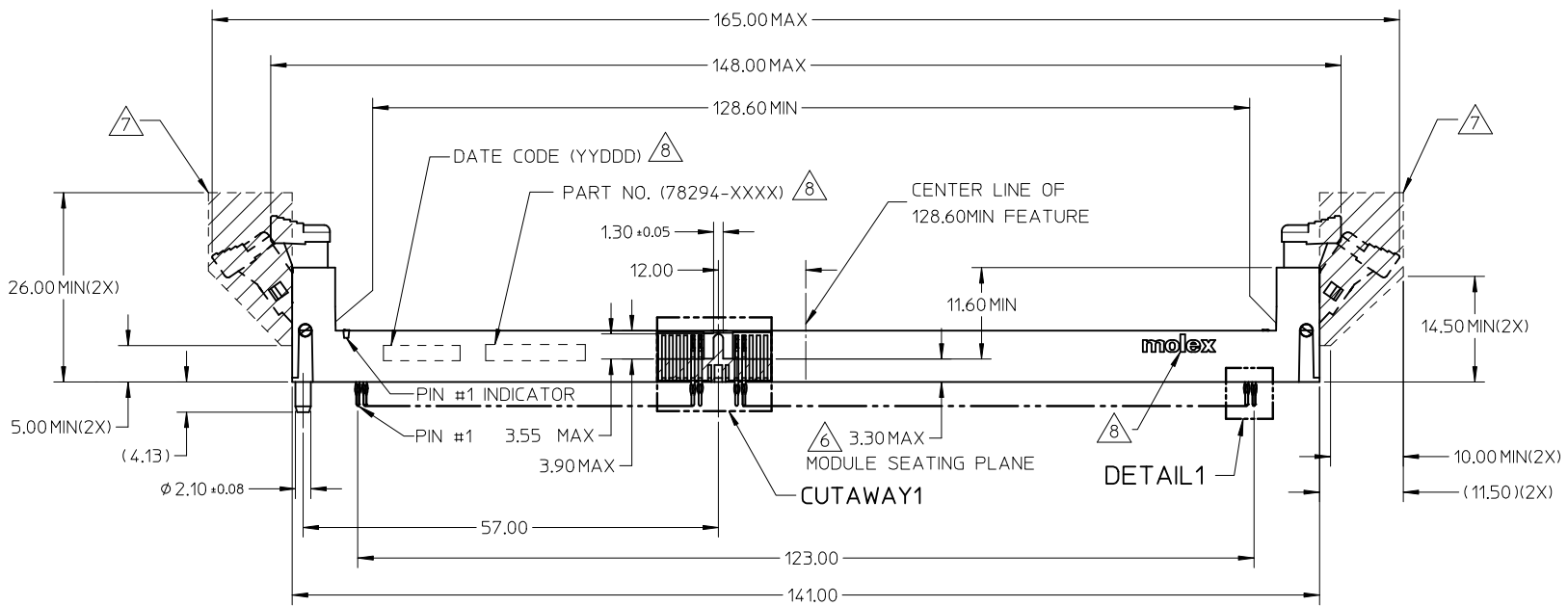
C

B

A



DETAIL1



DIM 'P' +0.25

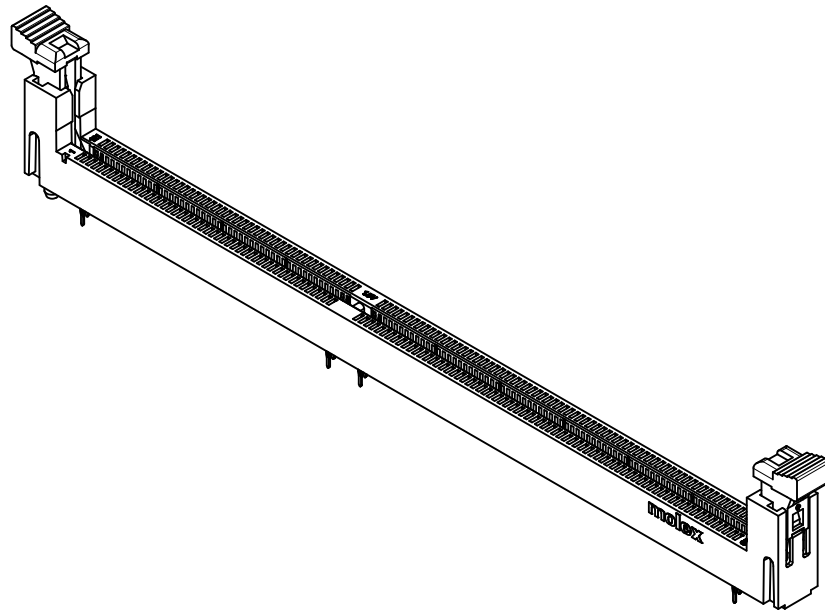
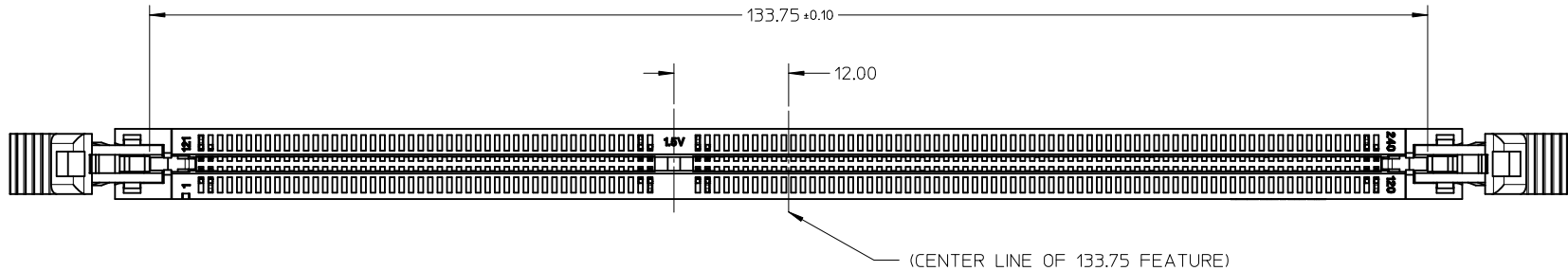
NOTES:

- MATERIALS  
HOUSING - HIGH TEMP NYLON GLASS FILLED, UL 94V-0, COLOUR - SEE TABLE  
LATCH - HIGH TEMP NYLON, COLOUR: BLACK OR NATURAL - SEE TABLE  
- POLYSULFONE, UL 94HB - CLEAR  
TERMINAL - PHOSPHOR BRONZE
  - FINISHES - SEE TABLE.
  - PRODUCT SPECIFICATION: SEE TABLE.
  - PACKAGING SPECIFICATION: PRODUCT SHALL BE PACKED IN TRAY - SEE SHEET 6 .
  - CARD SLOT ACCEPTS 1.27±0.10MM MODULE THICKNESS. (MEASURED FROM P.C.PADS).
- MODULE SEATING PLANE FROM TOP OF PCB.  
 KEEP OUT ZONE RESERVED FOR LATCH.  
 MOLEX LOGO, DATE & PART NO. INDICATED ON HOUSING.

REMOVE PART NO. EC NO: S2012-0828 DRWING:CGTAN 2012/04/30 CHKD:CCTEH 2012/05/11 APPR:SHLENI 2012/05/11 A5	QUALITY SYMBOLS  	GENERAL TOLERANCES (UNLESS SPECIFIED)		DIMENSION STYLE	SCALE	DESIGN UNITS	THIRD ANGLE PROJECTION	
				MM ONLY	NTS	METRIC		
		4 PLACES	± ---	± ---	DRAWN BY	DATE	TITLE	
		3 PLACES	± ---	± ---	CMTEO	2007/08/29	DDR3 DIMM, 100MM PITCH	
2 PLACES	± 0.2	± ---	CHECKED BY	DATE	240 CKTS			
1 PLACE	± ---	± ---	CCTEH	2007/10/09	VERTICAL PRESS-FIT			
ANGULAR ± 1 °			APPROVED BY	DATE	MOLEX INCORPORATED			
DRAFT WHERE APPLICABLE MUST REMAIN WITHIN DIMENSIONS			SHLENI	2007/10/10	DOCUMENT NO.			
			SEE TABLE		SD-78294-001			
			THIS DRAWING CONTAINS INFORMATION THAT IS PROPRIETARY TO MOLEX INCORPORATED AND SHOULD NOT BE USED WITHOUT WRITTEN PERMISSION		SHEET NO.			
					1 OF 7			

9 8 7 6 5 4 3 2 1

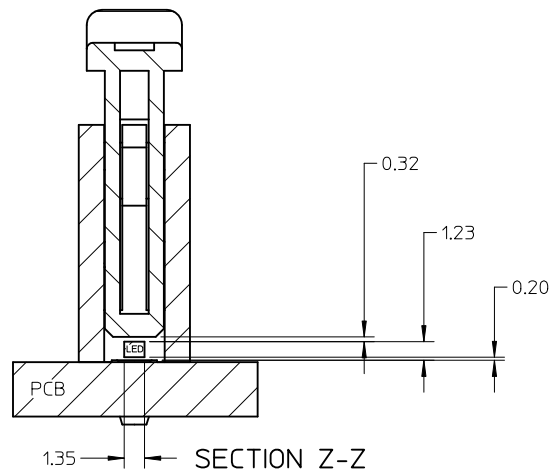
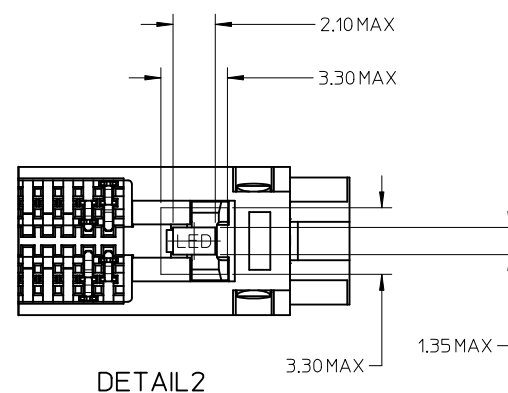
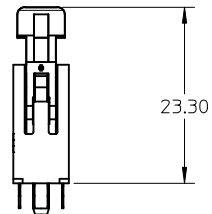
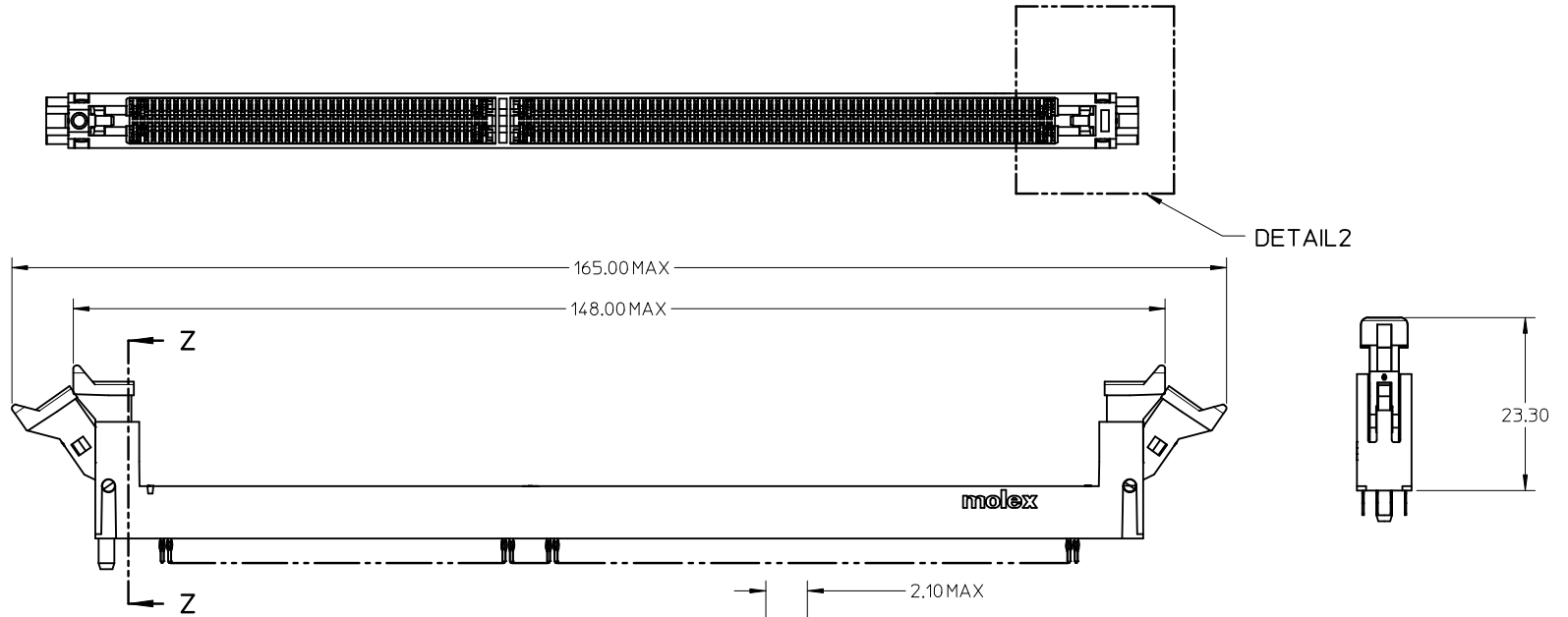
10 9 8 7 6 5 4 3 2 1



<b>REMOVE PART NO.</b> EC NO: S2012-0828 DRWN:CGTAN 2012/04/30 CHKD:CCTEH 2012/05/11 APPR:SHLENI 2012/05/11	QUALITY SYMBOLS ▽=0 ◻=0	GENERAL TOLERANCES (UNLESS SPECIFIED)		DIMENSION STYLE <b>MM ONLY</b>		SCALE NTS	DESIGN UNITS METRIC	THIRD ANGLE PROJECTION		
			mm	INCH	DRAWN BY	DATE	TITLE			
		4 PLACES	± ---	± ---	CMTEO	2007/08/29	DDR3 DIMM, 100MM PITCH			
		3 PLACES	± ---	± ---	CHECKED BY	DATE	240 CKTS			
	± 0.2	± ---	CMTEH	2007/10/09	VERTICAL PRESS-FIT					
1 PLACE	± ---	± ---	APPROVED BY	DATE	MOLEX INCORPORATED					
	ANGULAR ± 1 °		SHLENI	2007/10/10	MATERIAL NO.		DOCUMENT NO.			
	DRAFT WHERE APPLICABLE MUST REMAIN WITHIN DIMENSIONS		SEE TABLE		SD-78294-001		SHEET NO.			
A5	REV			SIZE	THIS DRAWING CONTAINS INFORMATION THAT IS PROPRIETARY TO MOLEX INCORPORATED AND SHOULD NOT BE USED WITHOUT WRITTEN PERMISSION					

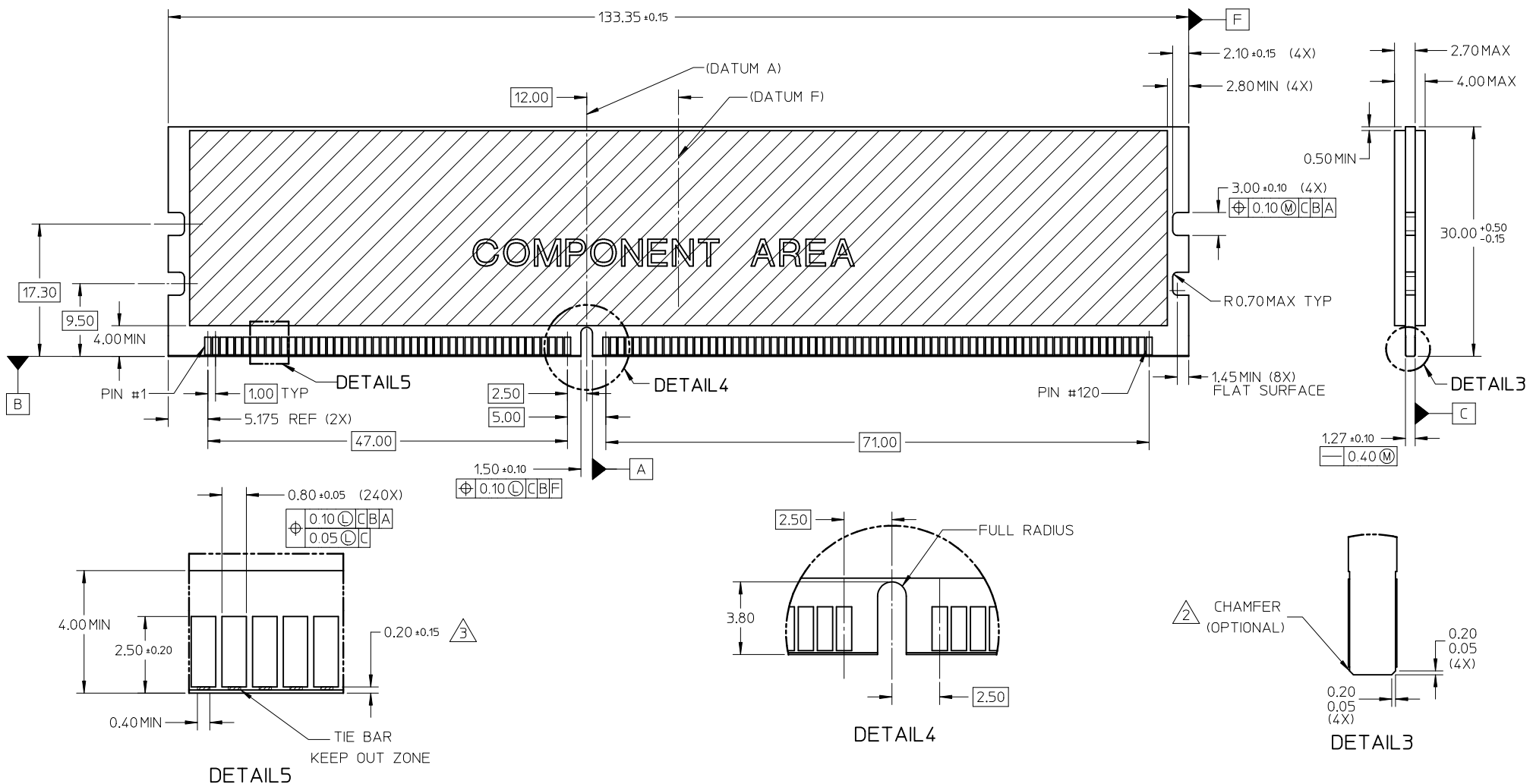
9 8 7 6 5 4 3 2 1

# CONNECTOR WITH CLEAR LATCH



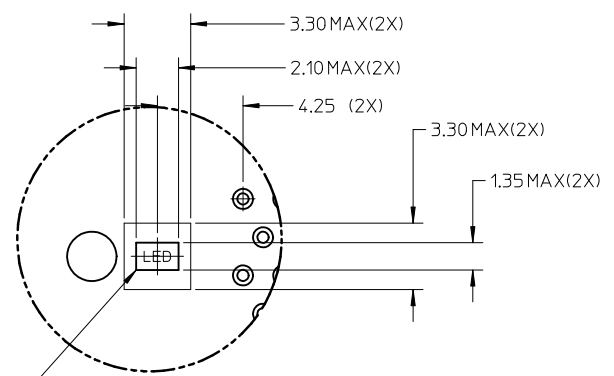
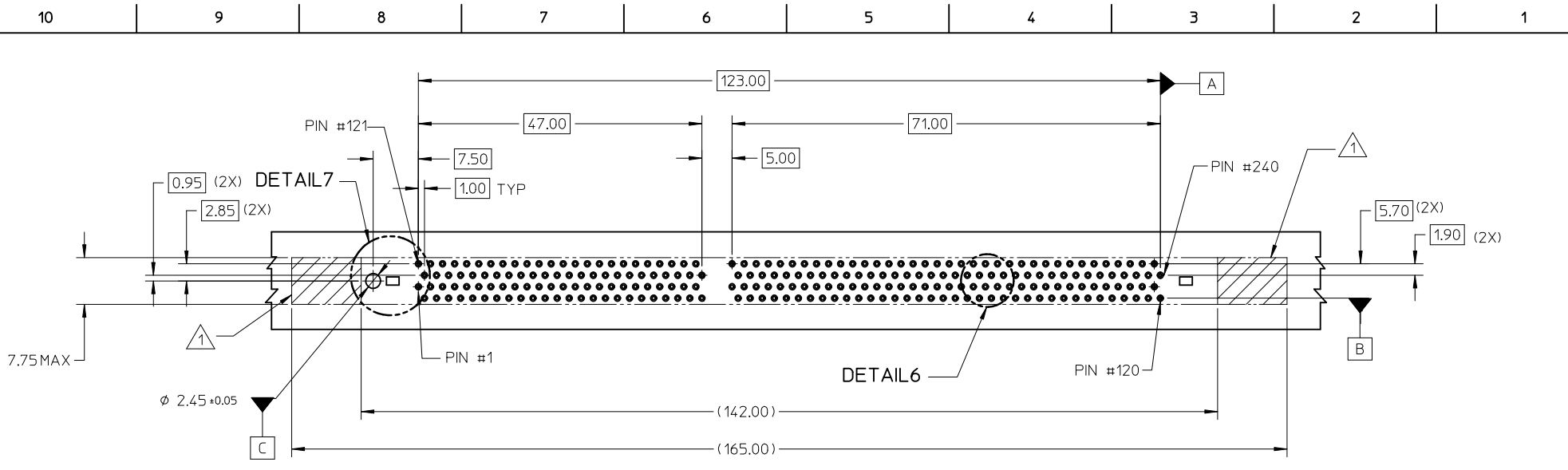
<b>REMOVE PART NO.</b> EC NO: S2012-0828 DRWN:CGTAN 2012/04/30 CHKD:CCTEH 2012/05/11 APPR:SHLENI 2012/05/11	QUALITY SYMBOLS ▽=0 ◻=0	GENERAL TOLERANCES (UNLESS SPECIFIED) <table border="1"> <thead> <tr> <th></th> <th>mm</th> <th>INCH</th> </tr> </thead> <tbody> <tr> <td>4 PLACES</td> <td>± ---</td> <td>± ---</td> </tr> <tr> <td>3 PLACES</td> <td>± ---</td> <td>± ---</td> </tr> <tr> <td>2 PLACES</td> <td>± 0.2</td> <td>± ---</td> </tr> <tr> <td>1 PLACE</td> <td>± ---</td> <td>± ---</td> </tr> </tbody> </table>		mm	INCH	4 PLACES	± ---	± ---	3 PLACES	± ---	± ---	2 PLACES	± 0.2	± ---	1 PLACE	± ---	± ---	DIMENSION STYLE <b>MM ONLY</b>	SCALE NTS	DESIGN UNITS METRIC	THIRD ANGLE PROJECTION
		mm	INCH																		
	4 PLACES	± ---	± ---																		
	3 PLACES	± ---	± ---																		
2 PLACES	± 0.2	± ---																			
1 PLACE	± ---	± ---																			
DRAFT WHERE APPLICABLE MUST REMAIN WITHIN DIMENSIONS	ANGULAR ± 1 °	DRAWN BY CMTEO	DATE 2007/08/29	TITLE DDR3 DIMM, 100MM PITCH 240 CKTS VERTICAL PRESS-FIT	MOLEX INCORPORATED	SHEET NO. 3 OF 7															
A5	REV	MATERIAL NO. SEE TABLE	DATE 2007/10/09	DOCUMENT NO. SD-78294-001	MOLEX	THIS DRAWING CONTAINS INFORMATION THAT IS PROPRIETARY TO MOLEX INCORPORATED AND SHOULD NOT BE USED WITHOUT WRITTEN PERMISSION															
A3	SIZE	THIS DRAWING CONTAINS INFORMATION THAT IS PROPRIETARY TO MOLEX INCORPORATED AND SHOULD NOT BE USED WITHOUT WRITTEN PERMISSION																			

MODULE CARD  
 DDR3 DUAL IN-LINE MEMORY MODULE FAMILY 100MM CONTACT CENTERS  
 (JEDEC MO-269, ISSUE A, 12/05)



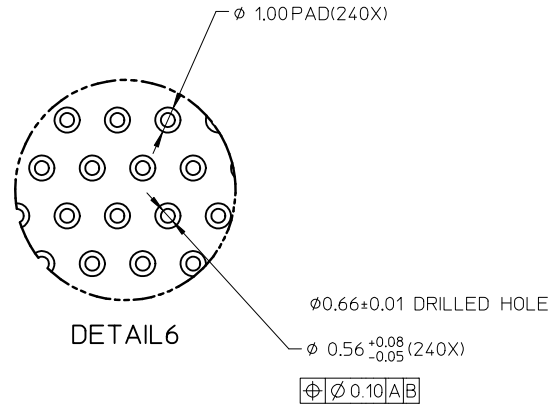
- NOTES:
- RECOMMENDED PLATING FOR CONTACT PADS:  
 PREFERRED: 0.76 MICROMETERS GOLD PLATING MIN  
 OVER 2.00 MICROMETERS NICKEL  
 ALTERNATIVE: 0.05-0.75 MICROMETERS GOLD PLATING  
 OVER 2.00 MICROMETERS NICKEL MUST USE AN ELECTRONIC  
 CONTACT GRADE CORROSIVE BARRIER LUBRICANT
  - CHAMFER IS OPTIONAL AND IS NOT TO HIT THE GOLD PADS
  - LEADING EDGE OF GOLD PADS SPECIFIED BY KEEPOUT ZONE  
 SHALL BE FREE OF BURRS AND EXTERNAL TIE BARS.

REMOVE PART NO. EC NO: S2012-0828 DRW:CGTAN CHKD:CCTEH APPR:SHLENI	REV A5	DESCRIPTION 2012/04/30 2012/05/11 2012/05/11	QUALITY SYMBOLS	GENERAL TOLERANCES (UNLESS SPECIFIED)	DIMENSION STYLE	SCALE	DESIGN UNITS	THIRD ANGLE PROJECTION	
			▽=0	mm	MM ONLY	NTS	METRIC	⊙	
			∇=0	INCH	DRAWN BY	DATE	TITLE		
					CMTEO	2007/08/29	DDR3 DIMM, 100MM PITCH		
			4 PLACES ± --- ± ---	CHECKED BY	DATE	240 CKTS			
			3 PLACES ± --- ± ---	DATE		VERTICAL PRESS-FIT			
			2 PLACES ± 0.2 ± ---	2007/10/09		MOLEX INCORPORATED			
			1 PLACE ± --- ± ---	APPROVED BY	DATE				
			ANGULAR ± 1 °	SHLENI	2007/10/10				
			DRAFT WHERE APPLICABLE MUST REMAIN WITHIN DIMENSIONS	MATERIAL NO.		DOCUMENT NO.	SHEET NO.		
				SEE TABLE		SD-78294-001	4 OF 7		
				SIZE	THIS DRAWING CONTAINS INFORMATION THAT IS PROPRIETARY TO MOLEX INCORPORATED AND SHOULD NOT BE USED WITHOUT WRITTEN PERMISSION				
				A3					



'LED' IS FOR CLEAR LATCH VERION ONLY

DETAIL7

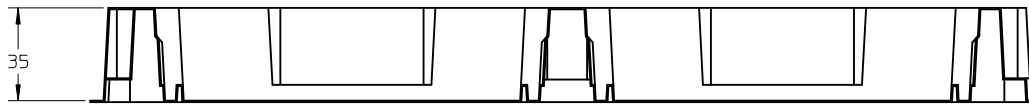
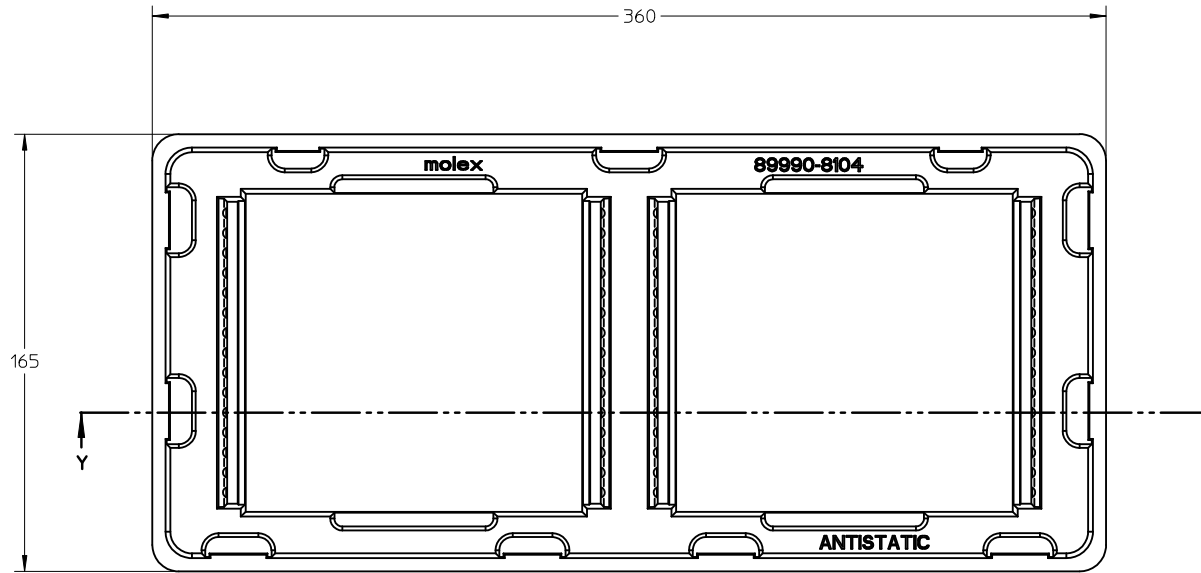


DETAIL6

NOTE:  
 1 KEEP OUT AREA IS THE AREA WHERE THE CONNECTOR (INCLUDING LATCH) IS MOUNTED ON THE PCB.

<b>REMOVE PART NO.</b> EC NO: S2012-0828 DRWN:CGTAN 2012/04/30 CHKD:CCTEH 2012/05/11 APPR:SHLENI 2012/05/11	QUALITY SYMBOLS ▽=0 ◻=0	GENERAL TOLERANCES (UNLESS SPECIFIED) <table border="1"> <thead> <tr> <th></th> <th>mm</th> <th>INCH</th> </tr> </thead> <tbody> <tr> <td>4 PLACES</td> <td>± ---</td> <td>± ---</td> </tr> <tr> <td>3 PLACES</td> <td>± ---</td> <td>± ---</td> </tr> <tr> <td>2 PLACES</td> <td>± 0.2</td> <td>± ---</td> </tr> <tr> <td>1 PLACE</td> <td>± ---</td> <td>± ---</td> </tr> </tbody> </table>		mm	INCH	4 PLACES	± ---	± ---	3 PLACES	± ---	± ---	2 PLACES	± 0.2	± ---	1 PLACE	± ---	± ---	DIMENSION STYLE <b>MM ONLY</b>	SCALE <b>NTS</b>	DESIGN UNITS <b>METRIC</b>	THIRD ANGLE PROJECTION
		mm	INCH																		
	4 PLACES	± ---	± ---																		
	3 PLACES	± ---	± ---																		
2 PLACES	± 0.2	± ---																			
1 PLACE	± ---	± ---																			
DRAFT WHERE APPLICABLE MUST REMAIN WITHIN DIMENSIONS	ANGULAR ± 1 °	DRAWN BY CMTEO	DATE 2007/08/29	TITLE <b>DDR3 DIMM, 100MM PITCH          240 CKTS          VERTICAL PRESS-FIT</b>	MATERIAL NO. <b>SEE TABLE</b>	DOCUMENT NO. <b>SD-78294-001</b>															
SIZE <b>A3</b>	THIS DRAWING CONTAINS INFORMATION THAT IS PROPRIETARY TO MOLEX INCORPORATED AND SHOULD NOT BE USED WITHOUT WRITTEN PERMISSION																				
SHEET NO. <b>5 OF 7</b>																					

# VIEW OF PACKAGING TRAY



SECTION Y-Y

NOTE:

1. CAVITY QTY : 30PCS

REMOVE PART NO. IEC NO: S2012-0828 DRWN:CGTAN 2012/04/30 CHKD:CCTEH 2012/05/11 APPR:SHLENI 2012/05/11	QUALITY SYMBOLS ▽=0 ◻=0	GENERAL TOLERANCES (UNLESS SPECIFIED)		DIMENSION STYLE <b>MM ONLY</b>	SCALE NTS	DESIGN UNITS METRIC	THIRD ANGLE PROJECTION	
				DRAWN BY CMTEO	DATE 2007/08/29	TITLE DDR3 DIMM, 100MM PITCH 240 CKTS VERTICAL PRESS-FIT		
				CHECKED BY CCTEH	DATE 2007/10/09	MOLEX INCORPORATED		
				APPROVED BY SHLENI	DATE 2007/10/10	MATERIAL NO. SEE TABLE	DOCUMENT NO. SD-78294-001	SHEET NO. 6 OF 7
A5	REV	DRAFT WHERE APPLICABLE MUST REMAIN WITHIN DIMENSIONS		SIZE A3	THIS DRAWING CONTAINS INFORMATION THAT IS PROPRIETARY TO MOLEX INCORPORATED AND SHOULD NOT BE USED WITHOUT WRITTEN PERMISSION			

TIN OPTION

PART NO.	VOLTAGE KEY POS.	VOLTAGE	DIM 'P'	RECOMMENDED PCB THICKNESS	PLATING OPTION	HOUSING COLOUR	LATCH COLOUR	PRODUCT SPECIFICATION				
78294-0001	CENTER	1.5V	3.30	3.60	CONTACT AREA: 0.76 MICROMETER/ 30 MICROINCH MIN. GOLD OVER 1.27 MICROMETER/ 50 MICROINCH MIN NICKEL UNDERPLATE	BLACK	BLACK	PS-78294-002				
78294-0002			4.20	4.57								
78294-0005			3.30	3.60								
78294-0006			4.20	4.57								
78294-0007			3.30	3.60								
78294-0008			4.20	4.57								
78294-0009			3.30	3.60								
78294-0010			4.20	4.57								
78294-0003			3.30	3.60					CONTACT AREA: 0.38 MICROMETER/ 15 MICROINCH MIN. GOLD OVER 1.27 MICROMETER/ 50 MICROINCH MIN NICKEL UNDERPLATE	BLACK	BLACK	PS-78294-001
78294-0004			4.20	4.57								
78294-0105	3.30	3.60										
78294-0106	4.20	4.57										

<b>REMOVE PART NO.</b> EC NO: S2012-0828 DRWN:CGTAN 2012/04/30 CHYD:CCTEH 2012/05/11 APPR:SHLENI 2012/05/11 REV DESCRIPTION	QUALITY SYMBOLS	GENERAL TOLERANCES (UNLESS SPECIFIED)	DIMENSION STYLE	SCALE	DESIGN UNITS	THIRD ANGLE PROJECTION
	▼=0 ▽=0	mm INCH	MM ONLY	NTS	METRIC	
		4 PLACES ± --- ± --- 3 PLACES ± --- ± --- 2 PLACES ± 0.2 ± --- 1 PLACE ± --- ± --- ANGULAR ± 1 °	DRAWN BY: CMTEO DATE: 2007/08/29 CHECKED BY: CCTEH DATE: 2007/10/09 APPROVED BY: SHLENI DATE: 2007/10/10	TITLE: DDR3 DIMM, 100MM PITCH 240 CKTS VERTICAL PRESS-FIT MOLEX INCORPORATED		
		DRAFT WHERE APPLICABLE MUST REMAIN WITHIN DIMENSIONS	MATERIAL NO. SEE TABLE DOCUMENT NO. SD-78294-001 SHEET NO. 7 OF 7			