



Chipsmall Limited consists of a professional team with an average of over 10 year of expertise in the distribution of electronic components. Based in Hongkong, we have already established firm and mutual-benefit business relationships with customers from,Europe,America and south Asia,supplying obsolete and hard-to-find components to meet their specific needs.

With the principle of “Quality Parts,Customers Priority,Honest Operation,and Considerate Service”,our business mainly focus on the distribution of electronic components. Line cards we deal with include Microchip,ALPS,ROHM,Xilinx,Pulse,ON,Everlight and Freescale. Main products comprise IC,Modules,Potentiometer,IC Socket,Relay,Connector.Our parts cover such applications as commercial,industrial, and automotives areas.

We are looking forward to setting up business relationship with you and hope to provide you with the best service and solution. Let us make a better world for our industry!



Contact us

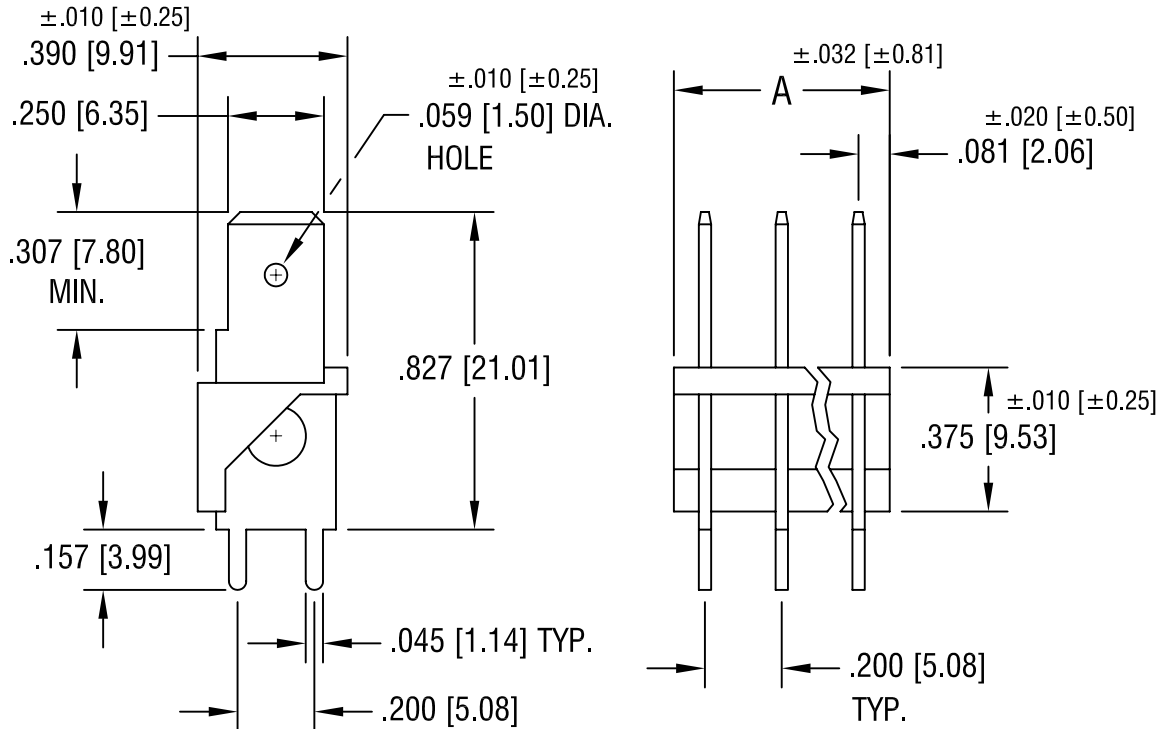
Tel: +86-755-8981 8866 Fax: +86-755-8427 6832

Email & Skype: info@chipsmall.com Web: www.chipsmall.com

Address: A1208, Overseas Decoration Building, #122 Zhenhua RD., Futian, Shenzhen, China



THIS DOCUMENT IS THE PROPERTY OF
KEYSTONE ELECTRONICS CORP. AND
SHALL NOT BE REPRODUCED, DISTRIBUTED
OR USED AS A BASIS FOR MANUFACTURE
WITHOUT PRIOR WRITTEN PERMISSION
FROM KEYSTONE ELECTRONICS CORP.



NOTES:

- TABS:
MAT'L - $.032$ [0.81] TH'K STEEL
FINISH - TIN PLATE
- INSULATOR:
MAT'L - GLASS FILLED NYLON
- MOUNTING HOLES:
 $.052$ [1.32] DIA. x
 $.200$ [5.08] CENTERS

PART NO.	NO. OF TABS	'A' DIM.
7833	3	$.562$ [14.27]
7834	4	$.762$ [19.35]
7835	5	$.962$ [24.43]
7836	6	1.162 [29.51]

KEYSTONE ELECTRONICS CORP.

ASTORIA, N.Y. 11105-2017

PART NAME

$.250$ [6.35] PC QUICK-FIT HEADER

MATERIAL

AS NOTED

FINISH

TIN PLATE

DRN BY

BOONE

DATE

7.25.95

APP'D

LN

SCALE

2X

1.31.05 CHANGE AS PER ECN 05-004

D

TOLERANCES

INCH [MM]

DECIMAL $\pm .005$ [± 0.15]

ANGULAR $\pm 1^\circ$
UNLESS OTHERWISE SPECIFIED

CODE

C/M

DWG NO.

7833-7836

DATE

DESCRIPTION

REV.