



Chipsmall Limited consists of a professional team with an average of over 10 year of expertise in the distribution of electronic components. Based in Hongkong, we have already established firm and mutual-benefit business relationships with customers from,Europe,America and south Asia,supplying obsolete and hard-to-find components to meet their specific needs.

With the principle of “Quality Parts,Customers Priority,Honest Operation,and Considerate Service”,our business mainly focus on the distribution of electronic components. Line cards we deal with include Microchip,ALPS,ROHM,Xilinx,Pulse,ON,Everlight and Freescale. Main products comprise IC,Modules,Potentiometer,IC Socket,Relay,Connector.Our parts cover such applications as commercial,industrial, and automotives areas.

We are looking forward to setting up business relationship with you and hope to provide you with the best service and solution. Let us make a better world for our industry!



Contact us

Tel: +86-755-8981 8866 Fax: +86-755-8427 6832

Email & Skype: info@chipsmall.com Web: www.chipsmall.com

Address: A1208, Overseas Decoration Building, #122 Zhenhua RD., Futian, Shenzhen, China



3M™ Electrically Conductive Acrylic Pad (eCAP) 7850

Product Description

3M™ Electrically Conductive Acrylic Pad (eCAP) represents a breakthrough in electrically conductive PSA tape and conductive gasket technology. 3M™ Electrically Conductive Acrylic Pad 7850, a double sided tape, consists of a high performance 3M adhesive loaded with conductive fillers and is ideal for EMI/RFI shield and EMI/RFI gasket to metal surfaces. The PSA matrix is filled with carbon fillers which allow thermal and electrical interconnection between substrates through the adhesive thickness (the “Z-axis”) and also provides electrically conducting in the plane of the adhesive (“X-Y Axis”). 3M eCAP 7850 is ideal for electrical and thermal bonding and ESD grounding of electronic and electrical devices. 3M eCAP 7850 can be applied as die cut parts or in roll form and has good adhesion to common EMI/RFI substrates such as aluminum, stainless steel, and smooth gasket materials. 3M eCAP 7850 also electrically connects and mechanically bond EMI/RFI shield and gasket to metal frames and enclosures. The low contact resistance and tape construction result in good EMI performance.

Proprietary Technology

3M™ Electrically Conductive Acrylic Pad 7850 is a self-stick EMI gasket pad or tape which provides good electrical conductivity for EMI shielding and ESD grounding. Made with a proprietary technology, the pad achieves a unique filler distribution in three dimensional structure throughout the adhesive matrix. This makes the tape an excellent choice for use near electronic components and assemblies. The tape is supplied on 50 meter rolls in width 600 mm.

Product Construction

Product	3M™ Electrically Conductive Acrylic Pad 7850
Color	Black
Adhesive Type	Filled Acrylic
Filler Type	Carbon particles
Adhesive Thickness*	0.15 mm
Release Liner (Face Side)	50 µm silicone treated PET film Transparent and easy release
Release Liner (Back Side)	75 µm silicone treated PET film Printed and tight release

*Contact your local 3M sales representative for additional information on thicknesses and width.



3M™ Electrically Conductive Acrylic Pad (eCAP) 7850

Typical Properties

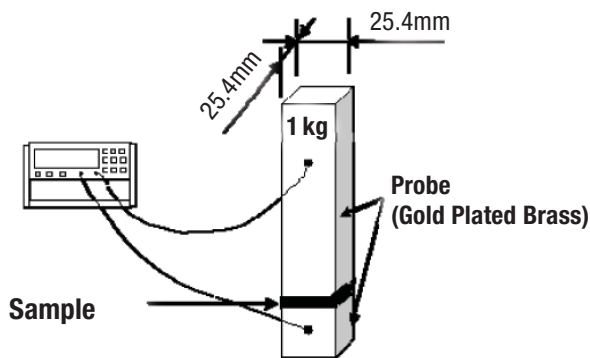
Note: The following technical information and data should be considered representative or typical only and should not be used for specification purposes.

3M™ Electrically Conductive Acrylic Pad 7850

Product No.	7850	Test Method
¹ Z-axis Resistance 1 inch x 1 inch	0.5 Ω	3M TM
Z-axis thermal impedance	0.7 °C-in ² /W	3M TM
Surface Electrical Resistance	10 Ω / □	3M TM
90° Peel Adhesion (FS)	1500 gf / inch	3M TM
90° Peel Adhesion (BS)	1500 gf / inch	3M TM
² Compression Stress	14 kg / sq. in.	3M TM

¹Z-axis Resistance: Measured between gold plated brass probes with 1 kg load.
Contact area: 25.4 mm x 25.4 mm, Dwell time: 60 seconds.

³Compression Stress: Measured at 25% compression (12 mm/min).



3M™ Electrically Conductive Acrylic Pad (eCAP) 7850

Certification/Recognition

MSDS: 3M has not prepared a MSDS for this product which is not subject to the MSDS requirements of the Occupational Safety and Health Administration's Hazard Communication Standard, 29 C.F.R. 1910.1200(b)(6)(v). When used under reasonable conditions or in accordance with the 3M directions for use, the product should not present a health and safety hazard. However, use or processing of the product in a manner not in accordance with the directions for use may affect its performance and present potential health and safety hazards.

TSCA: This product is defined as an article under the Toxic Substances Control Act and therefore, it is exempt from inventory listing requirements.

RoHs Complaint/REACH Compliant: This product complies with the European Union's "Restriction of Hazardous Substances" (RoHs) initiative and with European REACH regulations 2002/95/EC and 2005/618/EC.

For Additional Information

To request additional product information or to arrange for sales assistance, call toll free 1-800-251-8634. Address correspondence to: 3M, Electronics Markets Materials Division, 3M Center, Building 225-3S-06, St. Paul, MN 55144-1000. Our fax number is 651-778-4244 or 1-877-369-2923. In Canada, phone: 1-800-364-3577. In Puerto Rico, phone: 1-787-750-3000. In Mexico, phone: 52-70-04-00.

Important Notice

All statements, technical information, and recommendations related to 3M's products are based on information believed to be reliable, but the accuracy or completeness is not guaranteed. Before using this product, you must evaluate it and determine if it is suitable for your intended application. You assume all risks and liability associated with such use. Any statements related to the product which are not contained in 3M's current publications, or any contrary statements contained on your purchase order shall have no force or effect unless expressly agreed upon, in writing, by an authorized officer of 3M.

Warranty; Limited Remedy; Limited Liability.

This product will be free from defects in material and manufacture at the time of purchase. **3M MAKES NO OTHER WARRANTIES INCLUDING, BUT NOT LIMITED TO, ANY IMPLIED WARRANTY OF MERCHANTABILITY OR FITNESS FOR A PARTICULAR PURPOSE.** If this product is defective within the warranty period stated above, your exclusive remedy shall be, at 3M's option, to replace or repair the 3M product or refund the purchase price of the 3M product. **Except where prohibited by law, 3M will not be liable for any indirect, special, incidental or consequential loss or damage arising from this 3M product, regardless of the legal theory asserted.**



Electronics Markets Materials Division

3M Center, Building 225-3S-06
St. Paul, MN 55144-1000
1-800-251-8634 phone
651-778-4244 fax
www.3M.com/electronics

3M is a trademark of 3M Company.
Please recycle. Printed in U.S.A.
©3M 2011. All rights reserved.
60-5002-0372-8

