



Chipsmall Limited consists of a professional team with an average of over 10 year of expertise in the distribution of electronic components. Based in Hongkong, we have already established firm and mutual-benefit business relationships with customers from,Europe,America and south Asia,supplying obsolete and hard-to-find components to meet their specific needs.

With the principle of “Quality Parts,Customers Priority,Honest Operation,and Considerate Service”,our business mainly focus on the distribution of electronic components. Line cards we deal with include Microchip,ALPS,ROHM,Xilinx,Pulse,ON,Everlight and Freescale. Main products comprise IC,Modules,Potentiometer,IC Socket,Relay,Connector.Our parts cover such applications as commercial,industrial, and automotives areas.

We are looking forward to setting up business relationship with you and hope to provide you with the best service and solution. Let us make a better world for our industry!



Contact us

Tel: +86-755-8981 8866 Fax: +86-755-8427 6832

Email & Skype: info@chipsmall.com Web: www.chipsmall.com

Address: A1208, Overseas Decoration Building, #122 Zhenhua RD., Futian, Shenzhen, China



SCALA NON IMPERATIVA
(DO NOT SCALE)
DIMENSIONI IN mm
DIMENSIONS IN mm

METRIC

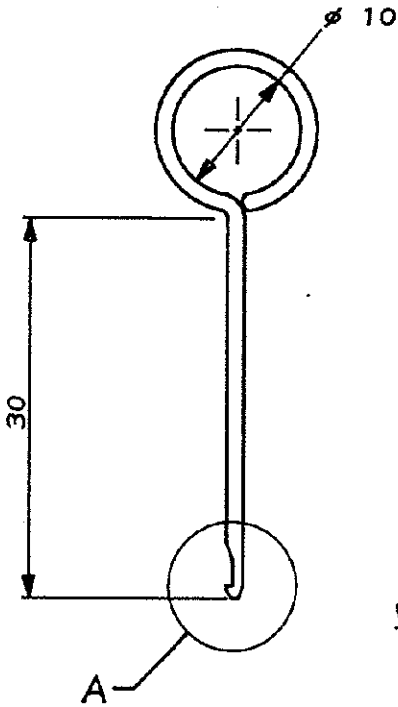
PROIEZIONE EUROPEA
(EUROPEAN PROJECTION)

A

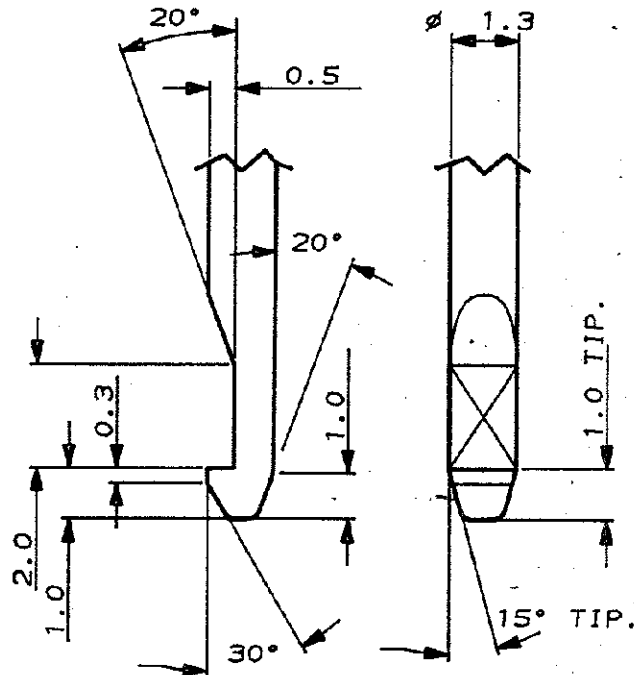
B

C

D



DETTAGLIO A



A

B

C

D

E

E

		ACCIAIO	785084-1
	FINITURA / COLORE (FINISH / COLOUR)	MATERIALE (MATERIAL)	NUMERO (PART NUMBER)
	CUSTOMER DWG. FOR REFERENCE ONLY		DISEGNO PER CLIENTE SOLO PER RIFERIMENTO
	THIS DRAWING IS UNPUBLISHED	RELEASE FOR PUBLICATION	1991
	© COPYRIGHT 1991 BY AMP INCORPORATED, HARRISBURG, PA. ALL INTERNATIONAL RIGHTS RESERVED. AMP PRODUCTS MAY BE COVERED BY U.S. AND FOREIGN PATENT AND/OR PATENT PENDING.		
	TOLLERANZE, SE NON DIVERSAMENTE SPECIFICATO	DIAM. ISOLANTE (INS. DIA. RANDED)	RANGO FILE (WIRE RANDED)
	TOLERANCES, UNLESS OTHERWISE SPECIFIED	-	-
	± 0.3		SCALA (SCALE) 2:1
	ANGOLI (ANGLES) ± 2°	AMP AMP ITALIA S.p.A. Corso F.lli Garvi, 15 COLLENO (TORINO)	
	DIS. BASSANO (DR.) 27 MAR. 91	DESCRIZIONE (DESCRIPTION) ESTRATTORE PER SECONDARY LOCK	
	CONT. -- CORSO --	AMP SUPERSEAL 1.5 SRS MALE CONN.	
	APP. CAPP. 2	LOC. SIZE NUMERO (CASE NO)	REV. FOGLIO (SHEET)
		IA4C-785084	0 - DI - COP

DISTRIBUZIONE
PRINT DIST.