



Chipsmall Limited consists of a professional team with an average of over 10 year of expertise in the distribution of electronic components. Based in Hongkong, we have already established firm and mutual-benefit business relationships with customers from,Europe,America and south Asia,supplying obsolete and hard-to-find components to meet their specific needs.

With the principle of “Quality Parts,Customers Priority,Honest Operation,and Considerate Service”,our business mainly focus on the distribution of electronic components. Line cards we deal with include Microchip,ALPS,ROHM,Xilinx,Pulse,ON,Everlight and Freescale. Main products comprise IC,Modules,Potentiometer,IC Socket,Relay,Connector.Our parts cover such applications as commercial,industrial, and automotives areas.

We are looking forward to setting up business relationship with you and hope to provide you with the best service and solution. Let us make a better world for our industry!



Contact us

Tel: +86-755-8981 8866 Fax: +86-755-8427 6832

Email & Skype: info@chipsmall.com Web: www.chipsmall.com

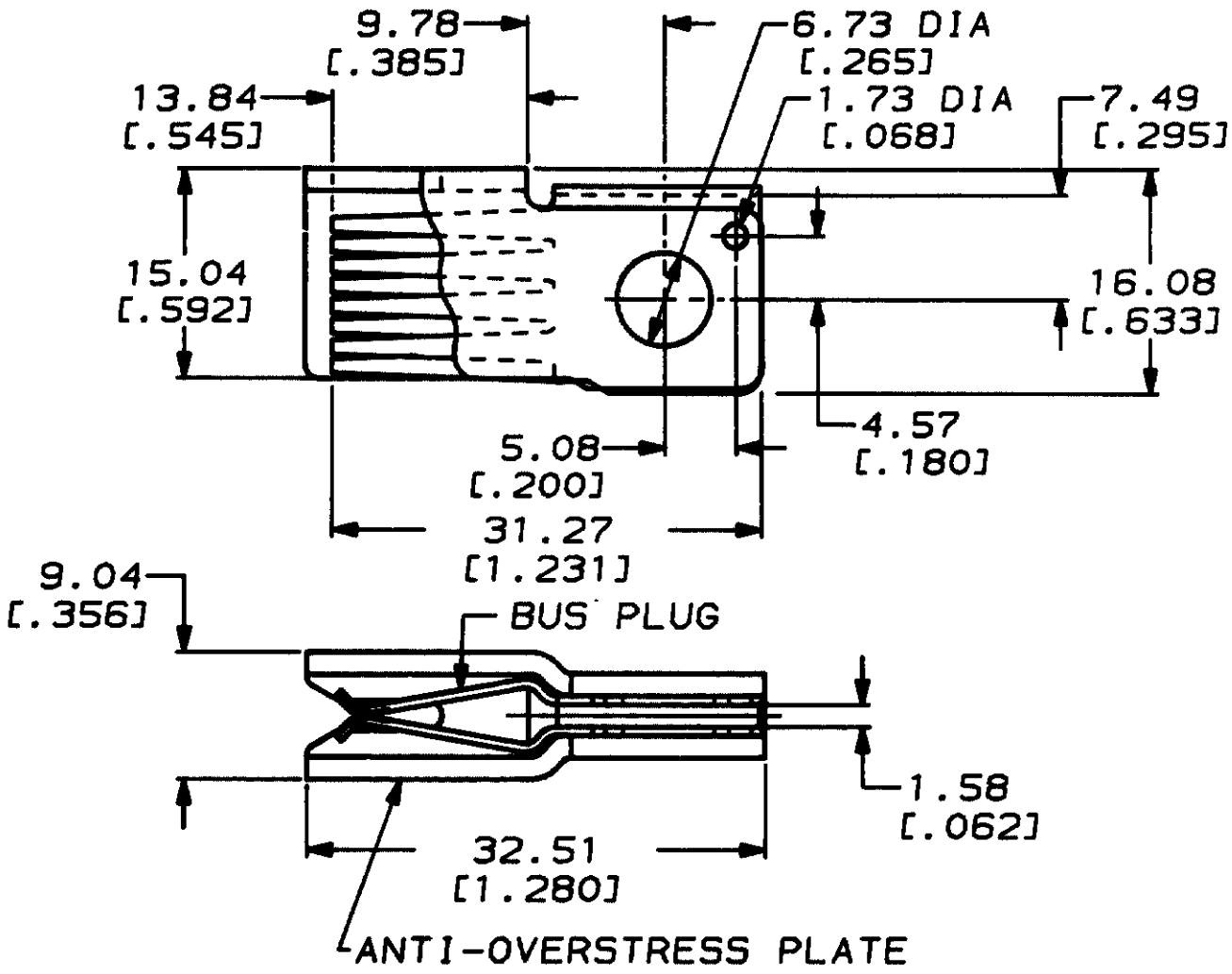
Address: A1208, Overseas Decoration Building, #122 Zhenhua RD., Futian, Shenzhen, China



THIS DRAWING IS UNPUBLISHED. BY AMP OF CANADA LTD. ALL INTERNATIONAL RIGHTS RESERVED. ,19

© COPYRIGHT 19

LOC	DIST				REVISIONS		
BG	5	P	F	LTR	DESCRIPTION	DATE	APPROVED
				B	REVISION PER BG648	04/92	<i>[Signature]</i>



1. PARTS ASSEMBLED AS SHOWN
2. ALL DIMENSIONS REFERENCE ONLY

METRIC

786104-1
PART NO

DO NOT SCALE PRINT.
UNLESS SPECIFIED
DIMENSIONS IN mm (IN)
TOLERANCES ON:
2 PLC DEC * -
3 PLC DEC * -
ANGLES * -

MATERIAL
BUS PLUG, COPPER ALLOY
ANTI-OVERSTRESS PLATE,
S.S.

FINISH
BUS PLUG, Ag/Ni
ANTI-OVERSTRESS PLATE,
PASSIVATED

DR 12-12-91 J HARD
CHK 12-12-91 J LANDIS
APPD 12-12-91 C WEIDLER
APPD 12-12-91 C WEIDLER
PRODUCT SPEC 108-1380
APPLICATION SPEC 114-2130
WEIGHT -

AMP AMP of CANADA Ltd. Markham, Ont.		
NAME AMP PDS 062F2 BUS PLUG W/GUIDE (SHORT)		
SIZE A	CAGE CODE 09482	DRAWING NO 786104
SCALE NTS	SHEET 1 of 1	