



Chipsmall Limited consists of a professional team with an average of over 10 year of expertise in the distribution of electronic components. Based in Hongkong, we have already established firm and mutual-benefit business relationships with customers from,Europe,America and south Asia,supplying obsolete and hard-to-find components to meet their specific needs.

With the principle of “Quality Parts,Customers Priority,Honest Operation,and Considerate Service”,our business mainly focus on the distribution of electronic components. Line cards we deal with include Microchip,ALPS,ROHM,Xilinx,Pulse,ON,Everlight and Freescale. Main products comprise IC,Modules,Potentiometer,IC Socket,Relay,Connector.Our parts cover such applications as commercial,industrial, and automotives areas.

We are looking forward to setting up business relationship with you and hope to provide you with the best service and solution. Let us make a better world for our industry!



Contact us

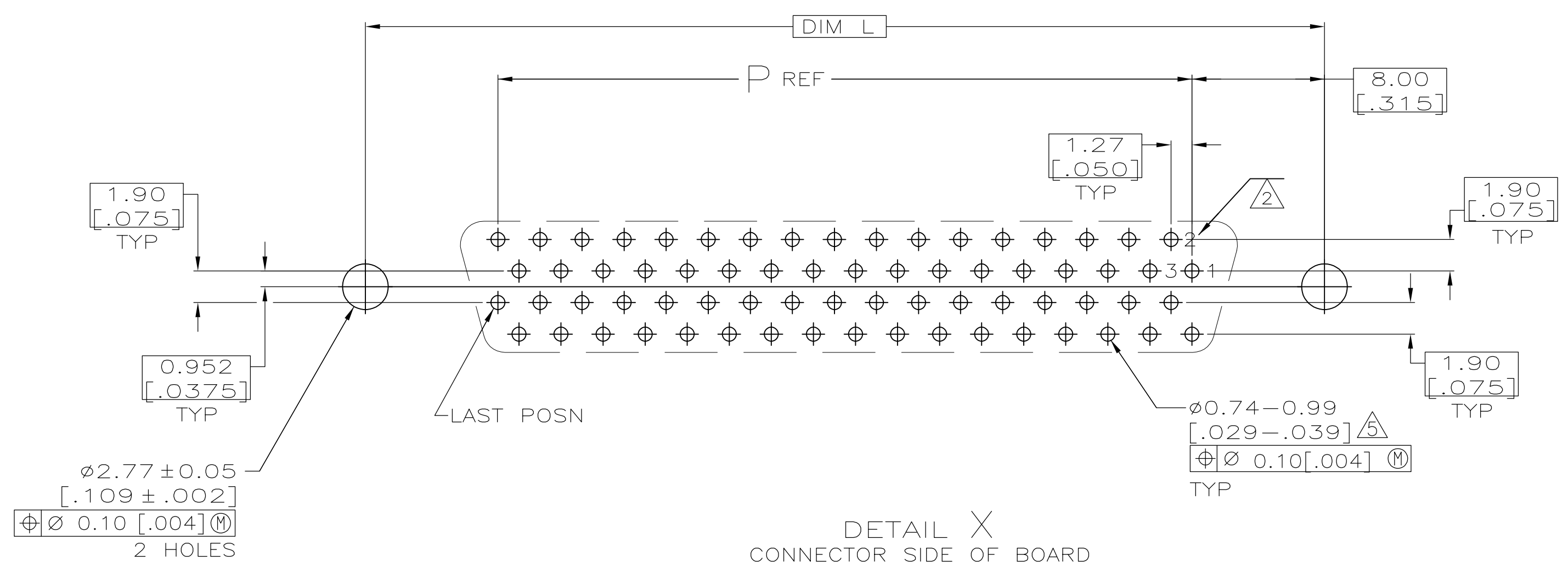
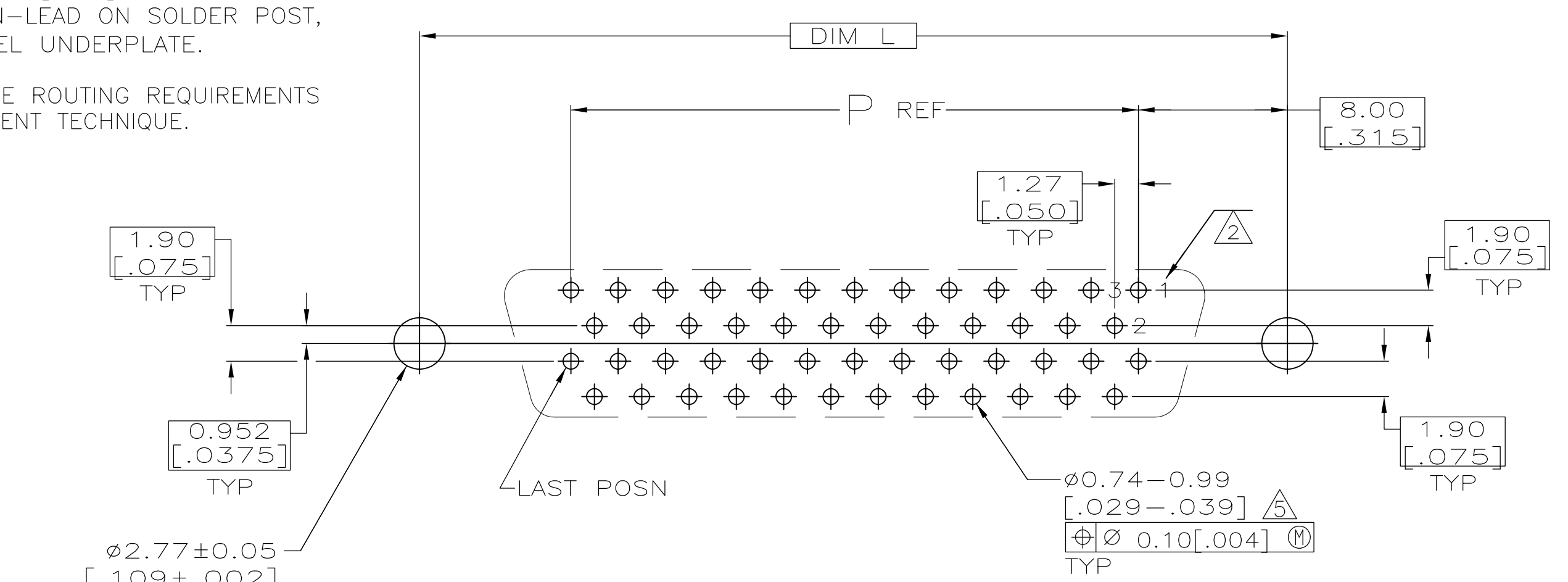
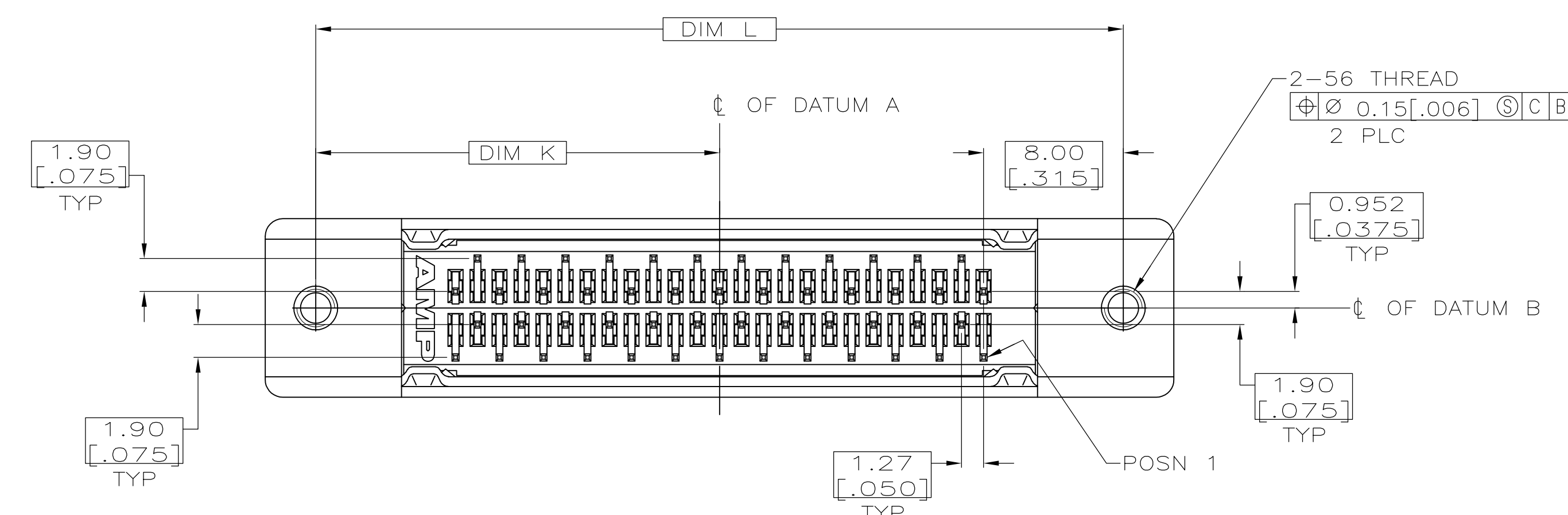
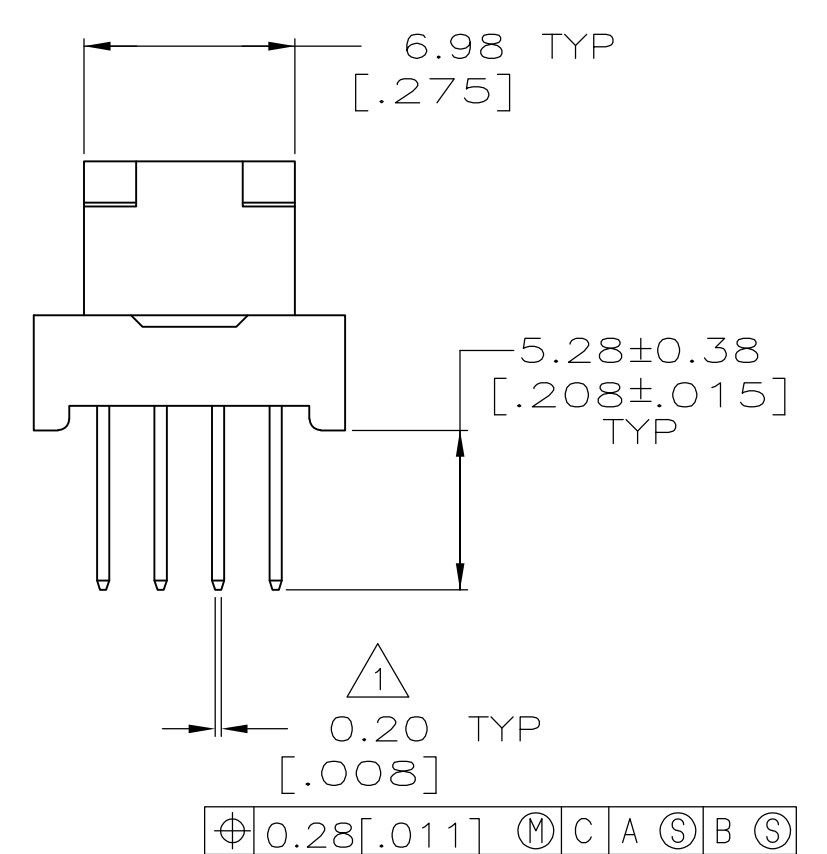
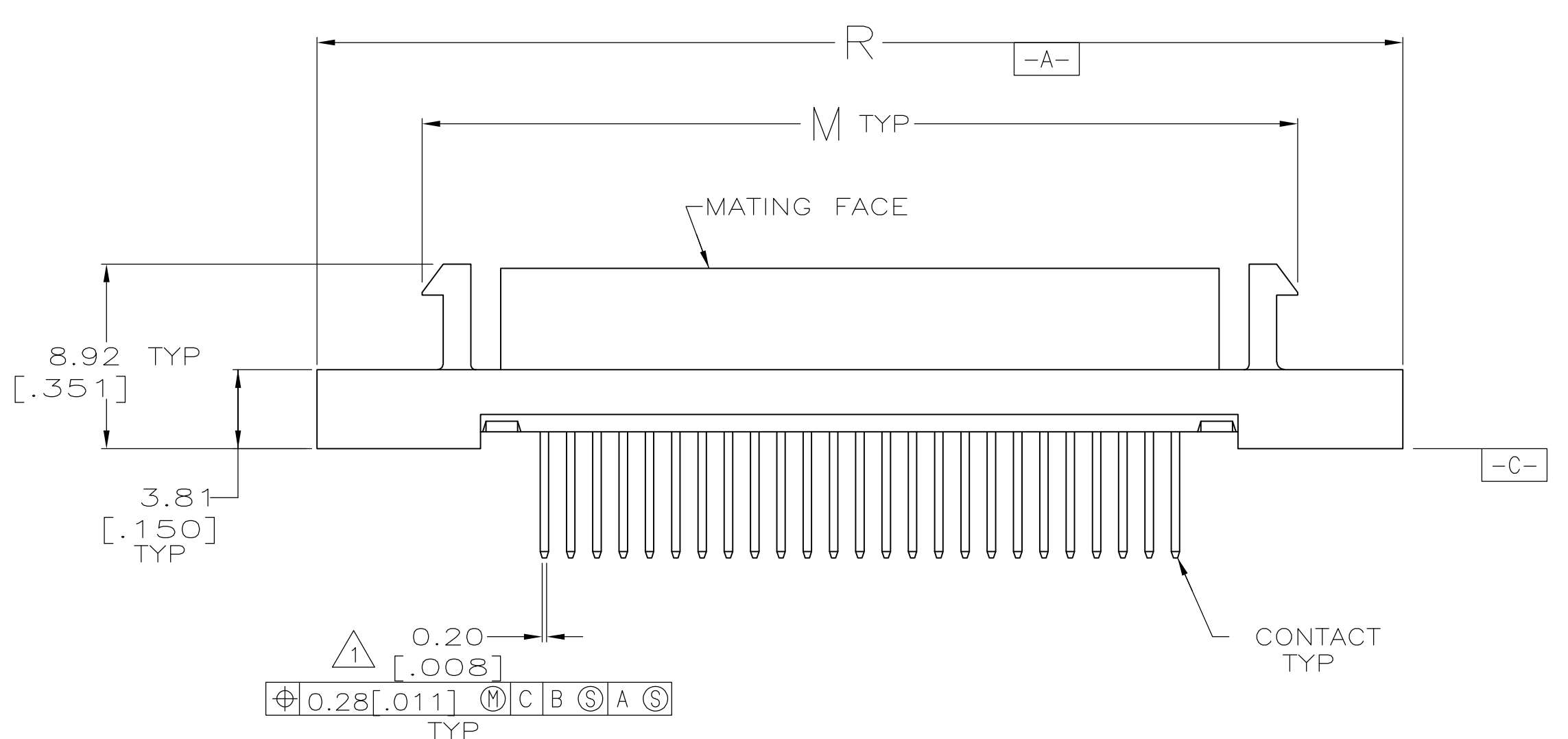
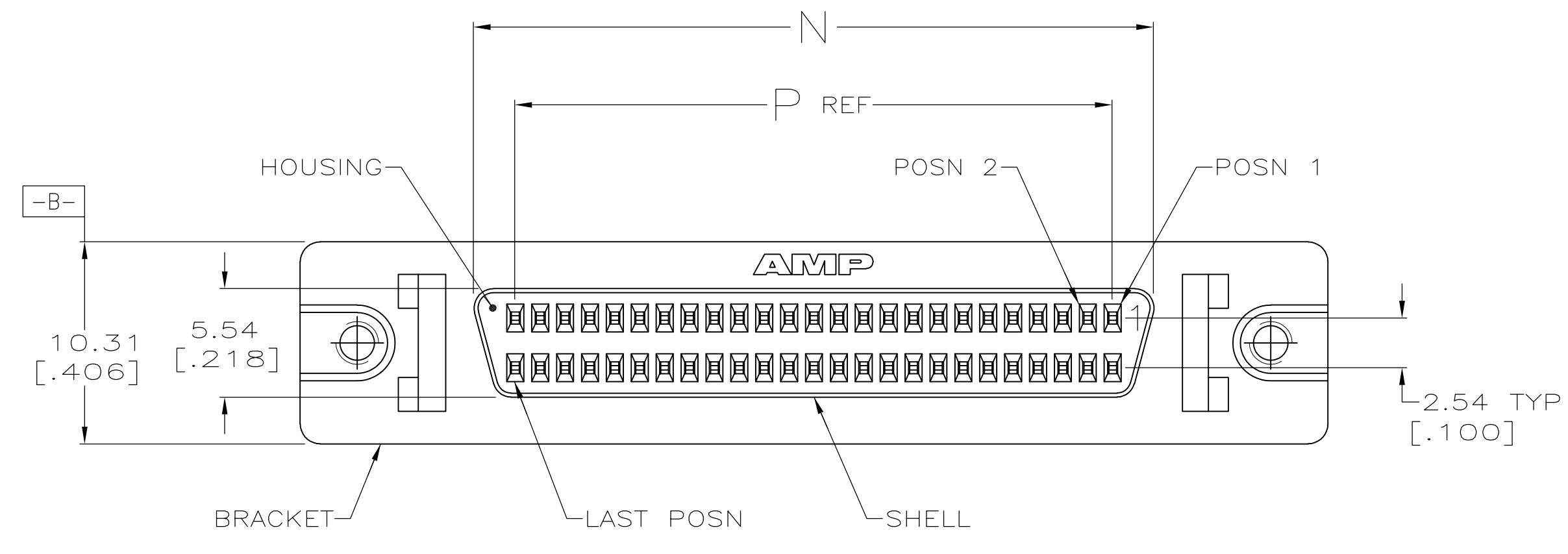
Tel: +86-755-8981 8866 Fax: +86-755-8427 6832

Email & Skype: info@chipsmall.com Web: www.chipsmall.com

Address: A1208, Overseas Decoration Building, #122 Zhenhua RD., Futian, Shenzhen, China



△ POSITION TOLERANCE APPLIES AT CONTACT TIP.
 △ POSITION NUMBERS SHOWN FOR REFERENCE ONLY.
 △ MATERIAL
 HOUSING: POLYESTER, UL 94V-0 RATED, BLACK.
 SHELL: CARBON STEEL PER ASTM A109.
 CONTACTS: PHOSPHOR BRONZE PER QQ-B-750.
 BRACKET: ZINC
 △ FINISH
 SHELL: 5.08µm [.000200] MIN NICKEL OVER 1.27µm [.000050] MIN COPPER.
 BRACKET: 3.81µm [.000150] MIN NICKEL OVER 5.08µm [.000200] MIN COPPER.
 CONTACTS: EITHER 0.76µm [.000030] MIN GOLD FOR A LENGTH OF 0.64 [.025] MIN, 0.13 [.005] MAX FROM MATING END, OR GOLD FLASH OVER PALLADIUM NICKEL, 0.76µm [.000030] MIN TOTAL FOR A LENGTH OF 0.64 [.025] MIN, 0.13 [.005] MAX FROM MATING END. 3.81µm [.000150] MIN TIN-LEAD ON SOLDER POST, ALL OVER 1.27µm [.000050] MIN NICKEL UNDERPLATE.
 △ ACTUAL HOLE SIZE WILL DEPEND ON TRACE ROUTING REQUIREMENTS BETWEEN HOLES AND CONNECTOR PLACEMENT TECHNIQUE.
 △ OBSOLETE PART NUMBER.



PER DETAIL X	63.88 [2.515]	41.91 [1.650]	46.13 [1.816]	53.72 [2.115]	57.91 [2.280]	28.96 [1.140]	68	△ 786136-7
PER DETAIL X	58.80 [2.315]	36.83 [1.450]	41.05 [1.616]	48.64 [1.915]	52.83 [2.080]	26.42 [1.040]	60	△ 786136-6
PER DETAIL Y	52.45 [2.065]	30.48 [1.200]	34.70 [1.366]	42.29 [1.665]	46.48 [1.830]	23.24 [0.915]	50	786136-5
RECOMMENDED PCB MTG DIMENSIONS	R	P	N	M	L	K	NO OF POSN	PART NO

THIS DRAWING IS A CONTROLLED DOCUMENT.

DIMENSIONS: mm [INCHES]	TOLERANCES UNLESS OTHERWISE SPECIFIED:	DWG: S. WELDON 01/20/92	CHK: R. STONE 01/23/92	APPRO: W. SWAIN 1/23/92	NAME: RECEPTACLE ASSEMBLY, SHIELDED, VERTICAL, .050 SERIES AMP/LITE
0 PLC ± -	1 PLC ± -	2 PLC ± 0.13 [.005]	3 PLC ± -	4 PLC ± -	SIZE: 108-1228
ANGLES ± -	FINISH ± -	APPLICATION SPEC: 114-40029	WEIGHT: -	CAGE CODE: 786136	RESTRICTED TO: -
CUSTOMER DRAWING				SCALE: 4:1	SHEET 1 OF 1

Tyco Electronics Corporation
 Harrisburg, PA 17105-3608