



Chipsmall Limited consists of a professional team with an average of over 10 year of expertise in the distribution of electronic components. Based in Hongkong, we have already established firm and mutual-benefit business relationships with customers from,Europe,America and south Asia,supplying obsolete and hard-to-find components to meet their specific needs.

With the principle of “Quality Parts,Customers Priority,Honest Operation,and Considerate Service”,our business mainly focus on the distribution of electronic components. Line cards we deal with include Microchip,ALPS,ROHM,Xilinx,Pulse,ON,Everlight and Freescale. Main products comprise IC,Modules,Potentiometer,IC Socket,Relay,Connector.Our parts cover such applications as commercial,industrial, and automotives areas.

We are looking forward to setting up business relationship with you and hope to provide you with the best service and solution. Let us make a better world for our industry!



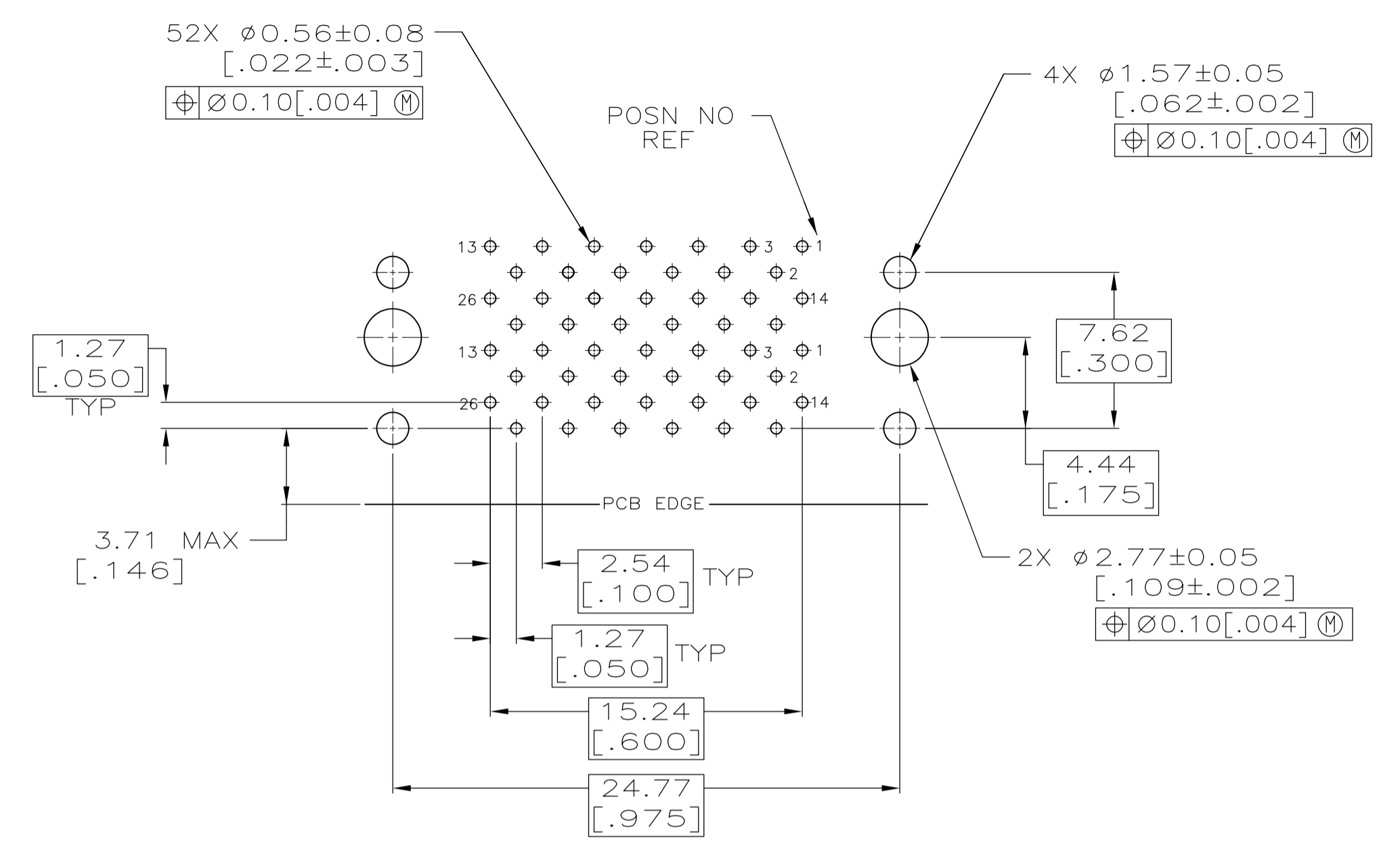
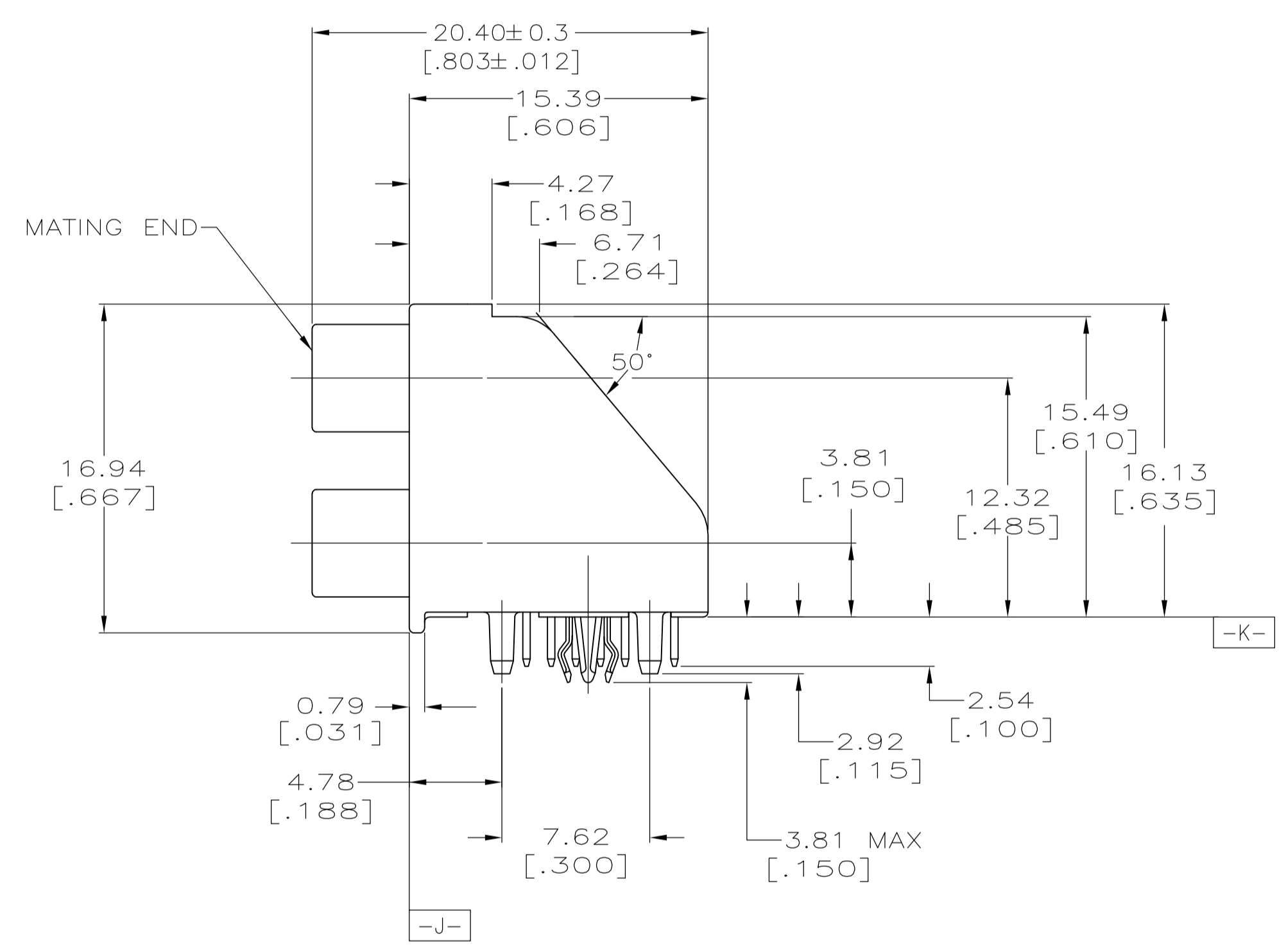
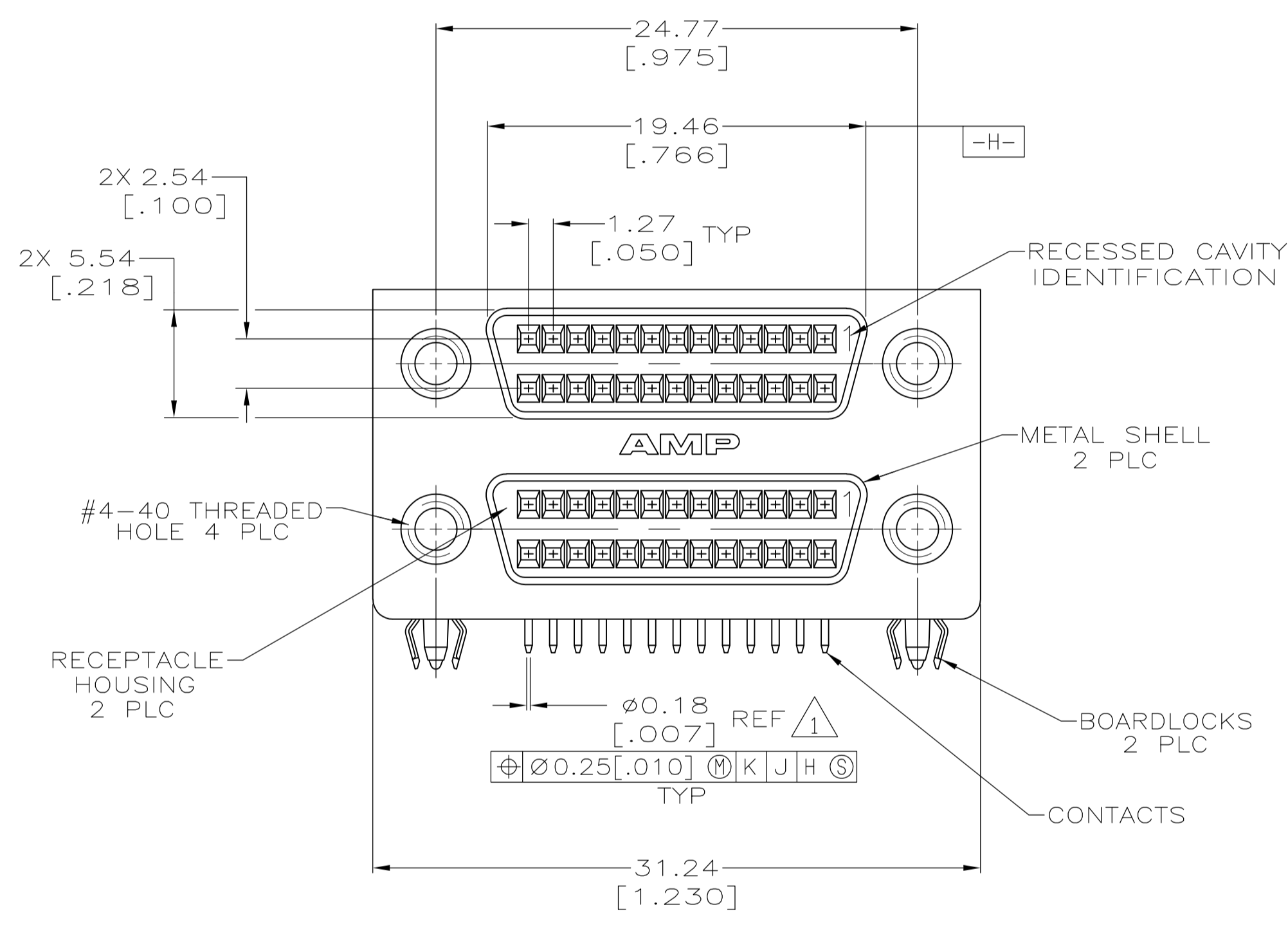
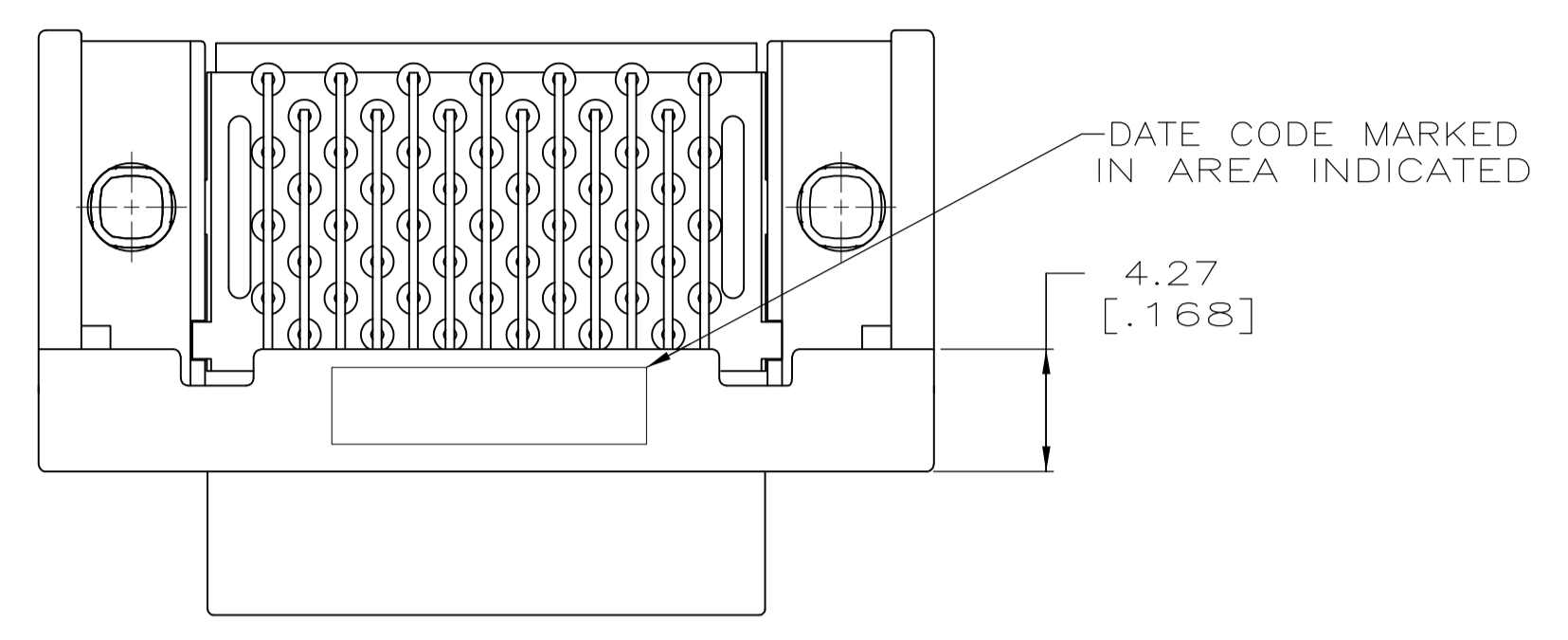
Contact us

Tel: +86-755-8981 8866 Fax: +86-755-8427 6832

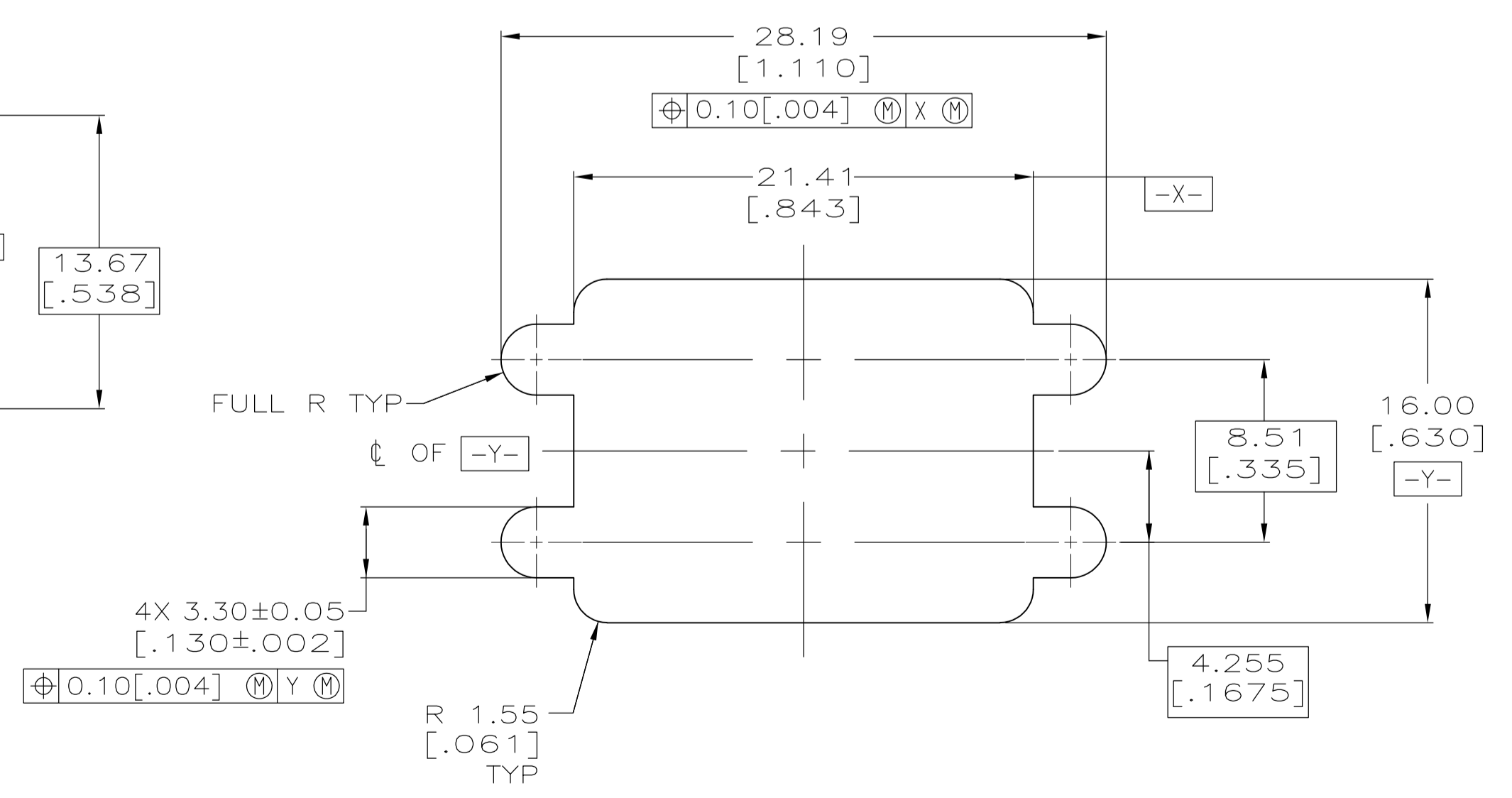
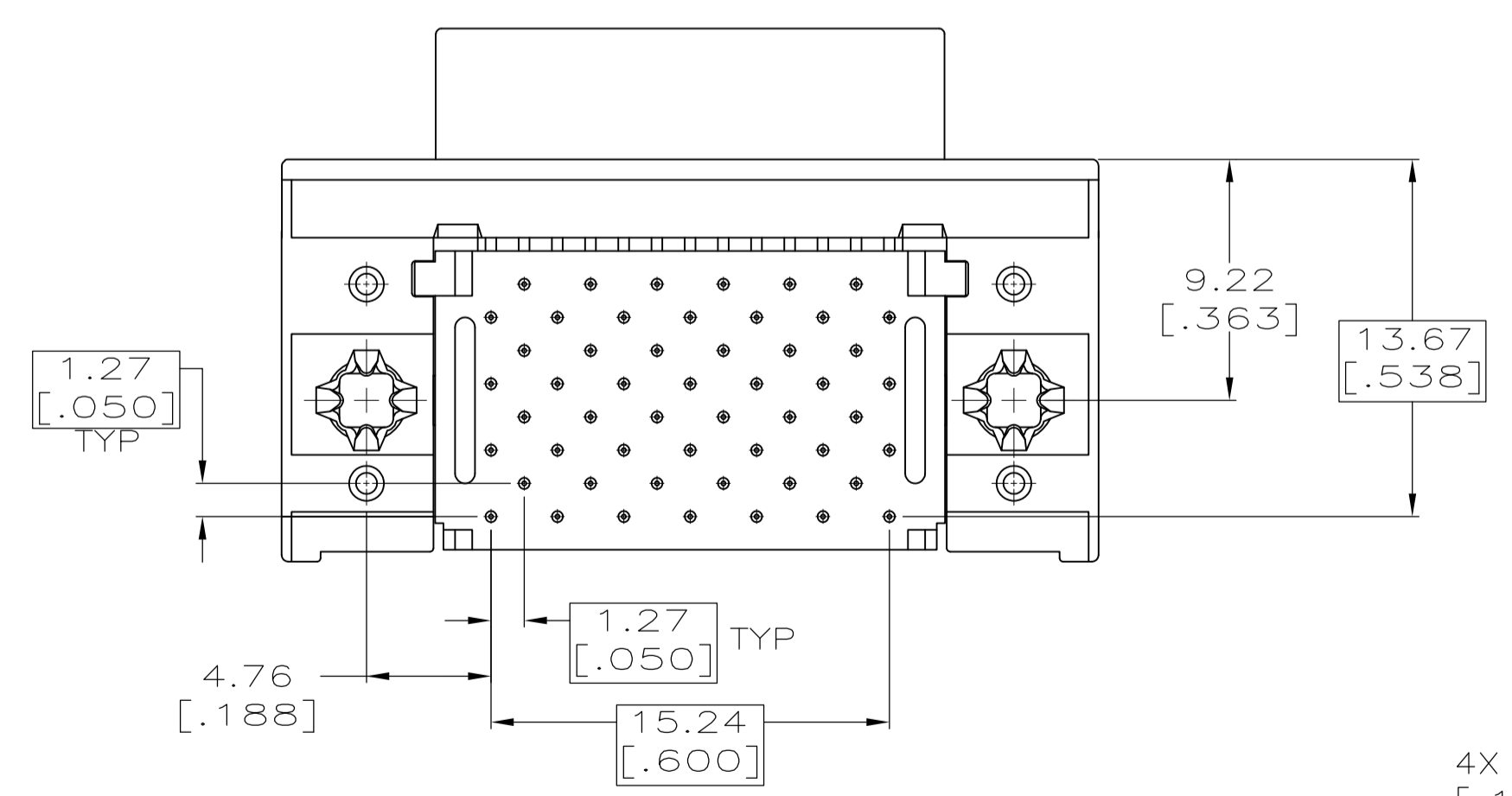
Email & Skype: info@chipsmall.com Web: www.chipsmall.com

Address: A1208, Overseas Decoration Building, #122 Zhenhua RD., Futian, Shenzhen, China





P.C. BOARD MOUNTING DIMENSIONS
 CONNECTOR SIDE
 P.C. BOARD THICKNESS 1.57±0.20 [.062±.008]



RECOMMENDED PANEL CUTOUT

- 1 POSITION TOLERANCE APPLIES AT TIP ONLY.
- 2 MATERIAL
 RECEPTACLE HOUSING: UL 94V-0 RATED LCP, COLOR BLACK
 CONTACTS: PHOSPHOR BRONZE
 BRACKET: ZINC
 METAL SHELL: CARBON STEEL,
 BOARDLOCKS: COPPER ALLOY.
- 3 FINISH
 CONTACTS: GOLD FLASH OVER PALLADIUM-NICKEL PLATE,
 0.00076 [.000030] MIN TOTAL ON MATING SURFACES,
 0.0038 [.000150] MIN TIN-LEAD PLATE ON SOLDER-TAILS,
 0.00127 [.000050] MIN NICKEL UNDERPLATE ON ENTIRE CONTACT. -OR- 0.00076 [.000030] MIN GOLD PLATE ON MATING SURFACES, 0.0038 [.000150] MIN TIN-LEAD PLATE ON SOLDER-TAILS, 0.00127 [.000050] MIN NICKEL UNDERPLATE ON ENTIRE CONTACT.
 BRACKET: 0.00508-0.01016 [.000200-.000400] TIN-LEAD OVER 0.00508-0.00762 [.000200-.000300] COPPER.
 METAL SHELL: 0.00508-0.01016 [.000200-.000400] TIN OVER 0.00127-0.00254 [.000050-.000100] COPPER.
 BOARDLOCKS: 0.00508-0.01016 [.000200-.000400] TIN-LEAD OVER 0.00127-0.00254 [.000050-.000100] NICKEL.

786200-1
 PART NUMBER

THIS DRAWING IS A CONTROLLED DOCUMENT.		DIN H MOLL 3-6-92	Tyco Electronics Corporation Harrisburg, PA 17105-3608
DIMENSIONS: mm [INCHES]		CRK R STONE 3-10-92	
TOLERANCES UNLESS OTHERWISE SPECIFIED:		APVD R WBYNE 3-10-92	NAME RECEPTACLE ASSEMBLY, 52 POSN STACKED RIGHT ANGLE, AMPLIMITE .050 SERIES SLIMLINE
0 PLC ± -		PRODUCT SPEC 108-1366	
1 PLC ± -		APPLICATION SPEC 114-40036	SIZE CAGE CODE DRAWING NO RESTRICTED TO A1 00779 C=786200
2 PLC ± 0.13 [.005]		WEIGHT -	
3 PLC ± -		CUSTOMER DRAWING	SCALE 4:1 SHEET 1 OF 1 REV C
4 PLC ± -			
ANGLES ± °			
MATERIAL			
FINISH			