



Chipsmall Limited consists of a professional team with an average of over 10 year of expertise in the distribution of electronic components. Based in Hongkong, we have already established firm and mutual-benefit business relationships with customers from,Europe,America and south Asia,supplying obsolete and hard-to-find components to meet their specific needs.

With the principle of “Quality Parts,Customers Priority,Honest Operation,and Considerate Service”,our business mainly focus on the distribution of electronic components. Line cards we deal with include Microchip,ALPS,ROHM,Xilinx,Pulse,ON,Everlight and Freescale. Main products comprise IC,Modules,Potentiometer,IC Socket,Relay,Connector.Our parts cover such applications as commercial,industrial, and automotives areas.

We are looking forward to setting up business relationship with you and hope to provide you with the best service and solution. Let us make a better world for our industry!



Contact us

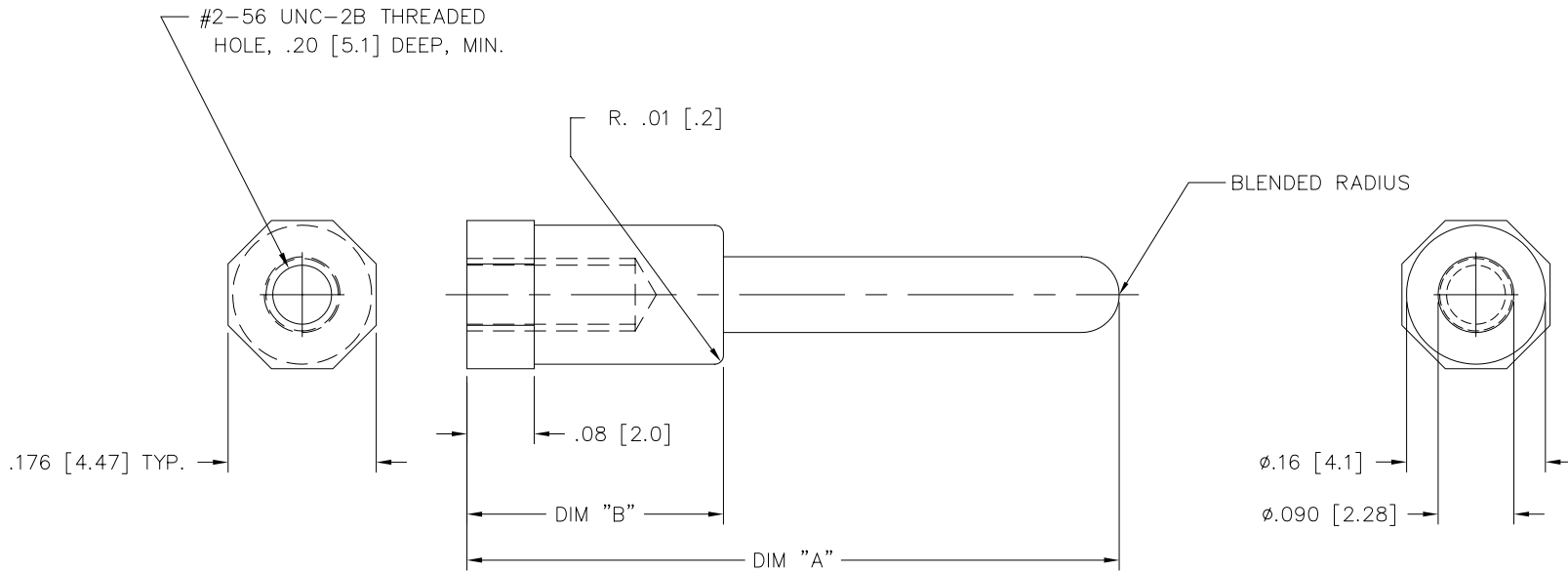
Tel: +86-755-8981 8866 Fax: +86-755-8427 6832

Email & Skype: info@chipsmall.com Web: www.chipsmall.com

Address: A1208, Overseas Decoration Building, #122 Zhenhua RD., Futian, Shenzhen, China



PRODUCT NUMBER	DIM "A"	DIM "B"	APPLICATION
78628-001	.860 [21.84]	.300 [7.62]	E.S.D., SEE SHT. 4
78628-001LF	.860 [21.84]	.300 [7.62]	E.S.D., SEE SHT. 4
78628-002	.775 [19.68]	.380 [9.65]	MECH., SEE SHT. 2&3
78628-002LF	.775 [19.68]	.380 [9.65]	MECH., SEE SHT. 2&3

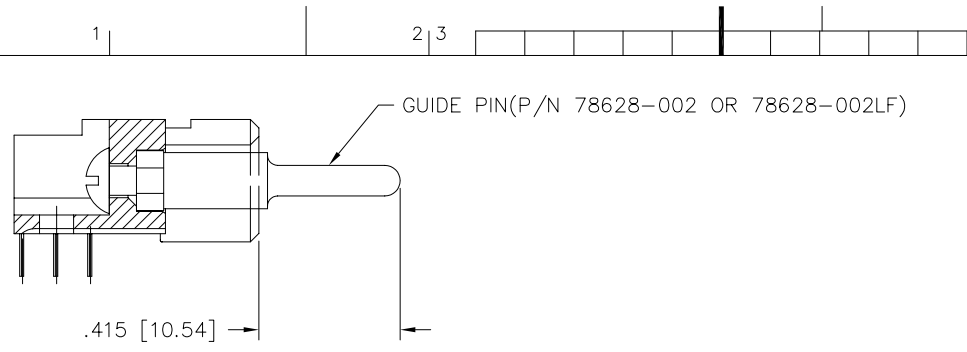


NOTES:

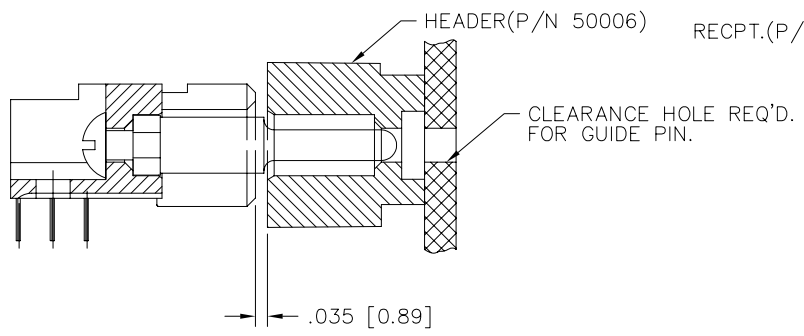
- MATERIAL: AISI 416 STAINLESS STEEL.
- THIS PRODUCT WITH AN LF SUFFIX MEETS EUROPEAN UNION DIRECTIVES AND OTHER COUNTRY REGULATIONS AS DESCRIBED IN GS-22-008.
- THIS PRODUCT IS NOT INTENDED TO BE EXPOSED TO MANUFACTURING SOLDER PROCESSES.

mat'l. code		surface		tolerance		projection		product family	
NOTE 1		ISO 1302 ✓		ISO 406		ISO 1101		HPC	
ltr	ecn no	dr	date	tolerances unless otherwise specified		INCH/MM		title	
B	V31851	GIP	11/11/93	angles	linear	.XX±.01/.3		END MOUNTED	
C	V40690	RMP	3/29/94			.xxx±.005/.13		GUIDE PIN	
D	V00719	LSS	4/6/00	0°±2'		.xxxx±.0020/.051		scale 1:1	
E	V05-0974	LP	10/31/05	dr	L.SANDERS	4/6/00		dwg no	
F	M06-0260	MHT	7/07/06	engr	M.GRAY	4/6/00		sheet 1 of 4 size	
				chr	M.GRAY	4/6/00		78628	
				appd	M.GRAY	4/6/00		A3	
sheet index		revision sheet		F				type Product Customer Drawing	
		1							

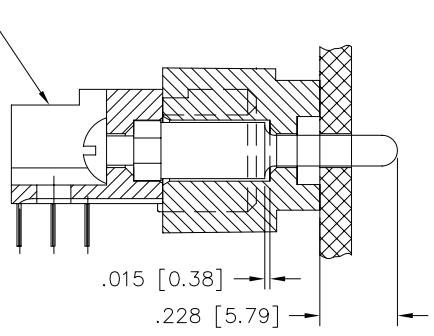
PRODUCT NO.
78628-002
78628-002LF



GUIDE PIN, MOUNTED TO RECPT.



GUIDE PIN FIRST CONTACT



HOUSING FULLY MATED

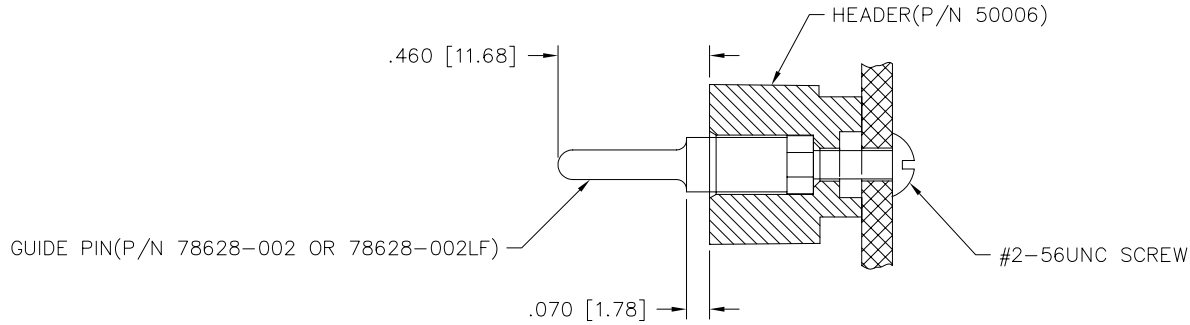
END MOUNTED GUIDE PIN ON RECEPTACLE
(MECHANICAL)

NOTES:
1. P/N 78628-002 / 78628-002LF TO BE USED IN MECHANICAL APPLICATIONS ONLY, IT CAN BE MOUNTED IN RECPT. OR HEADERS, DESIGNED TO MAKE FIRST CONTACT WHEN HOUSING FACES ARE .035" APART.

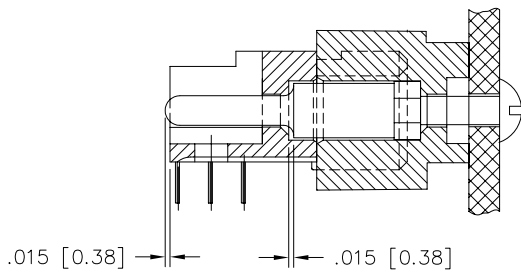
mat'l. code		surface ISO 1302 ✓		tolerance ISO 406 ISO 1101		projection ⊕		product family HPC		
ltr	ecn	no	dr	date		tolerances unless otherwise specified		title		
F						.XX±.01/.3		END MOUNTED GUIDE PIN		
						linear .XXX±.005/.13		INCH/MM		
						0'±2'		scale 1:1		
						.XXX±.0020/.051		dwg no		
						dr L.SANDERS 4/6/00		sheet 2 of 4 size		
						enr M.GRAY 4/6/00		78628 A3		
						chr M.GRAY 4/6/00		type Product Customer Drawing		
						appd M.GRAY 4/6/00				
sheet	revision									
index	sheet									

Copyright FCJ
FCJconnect.com

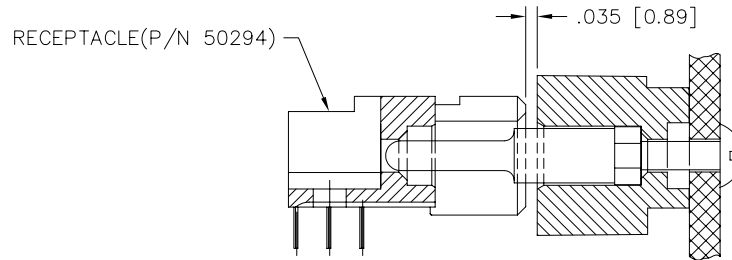
PRODUCT NO.
78628-002
78628-002LF



GUIDE PIN, MOUNTED TO HEADER



HOUSING FULLY MATED



GUIDE PIN FIRST CONTACT

END MOUNTED GUIDE PIN ON HEADER
(MECHANICAL)

NOTES:

1. P/N 78628-002 / 78628-002LF TO BE USED IN MECHANICAL APPLICATIONS ONLY, IT CAN BE MOUNTED IN RECEPT OR HEADERS, DESIGNED TO MAKE FIRST CONTACT WHEN HOUSING FACES ARE .035" APART.

mat'l. code		surface ISO 1302 ✓		tolerance ISO 406 ISO 1101		projection ⊕		product family HPC	
ltr	ecn	no	dr	date		tolerances unless otherwise specified		title	
F						angles	linear	.XX±.01/.3	INCH/MM
						0'±2'		.xxx±.005/.13	
								.xxxx±.0020/.051	
				dr		L.SANDERS		4/6/00	
				enr		M.GRAY		4/6/00	
				chr		M.GRAY		4/6/00	
				appd		M.GRAY		4/6/00	
sheet index		revision sheet							



dwg no 78628 sheet 3 of 4 size A3
type Product Customer Drawing

PRODUCT NO.

78628-001

78628-001LF

NOTES:

- 1. P/N 78628-001 / 78628-001LF TO BE USED FOR ELECTRICAL DISCHARGE APPLICATIONS, MOUNTED IN HEADER ONLY. DESIGNED TO MAKE CONTACT WHEN HOUSING FACES ARE .060" APART.



FCJconnect.com

Copyright FCJ

mat'l. code		surface ISO 1302 <input checked="" type="checkbox"/>		tolerance ISO 406 ISO 1101		projection 		product family HPC	
ltr		ecn no		date		tolerances unless otherwise specified		title	
F						.XX±.01/.3 linear .xxx±.005/.13 0'±2' .xxx±.0020/.051		INCH/MM	
						scale 1:1		END MOUNTED GUIDE PIN	
				dr L.SANDERS 4/6/00				dwg no 78628 sheet 4 of 4 size A3	
				enr M.GRAY 4/6/00				type Product Customer Drawing	
				chr M.GRAY 4/6/00					
				appd M.GRAY 4/6/00					
sheet index		revision sheet							