



Chipsmall Limited consists of a professional team with an average of over 10 year of expertise in the distribution of electronic components. Based in Hongkong, we have already established firm and mutual-benefit business relationships with customers from,Europe,America and south Asia,supplying obsolete and hard-to-find components to meet their specific needs.

With the principle of “Quality Parts,Customers Priority,Honest Operation,and Considerate Service”,our business mainly focus on the distribution of electronic components. Line cards we deal with include Microchip,ALPS,ROHM,Xilinx,Pulse,ON,Everlight and Freescale. Main products comprise IC,Modules,Potentiometer,IC Socket,Relay,Connector.Our parts cover such applications as commercial,industrial, and automotives areas.

We are looking forward to setting up business relationship with you and hope to provide you with the best service and solution. Let us make a better world for our industry!



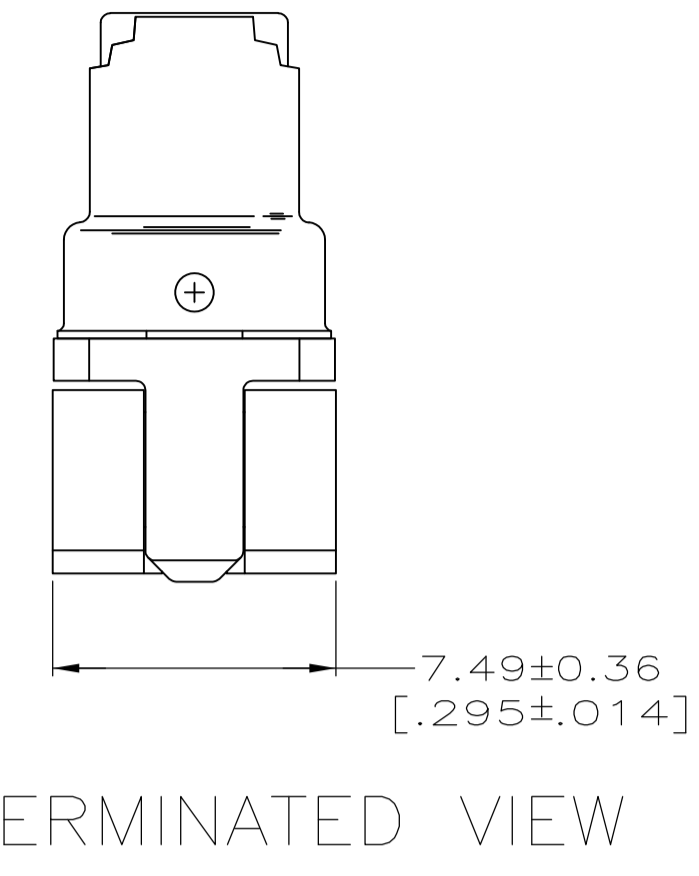
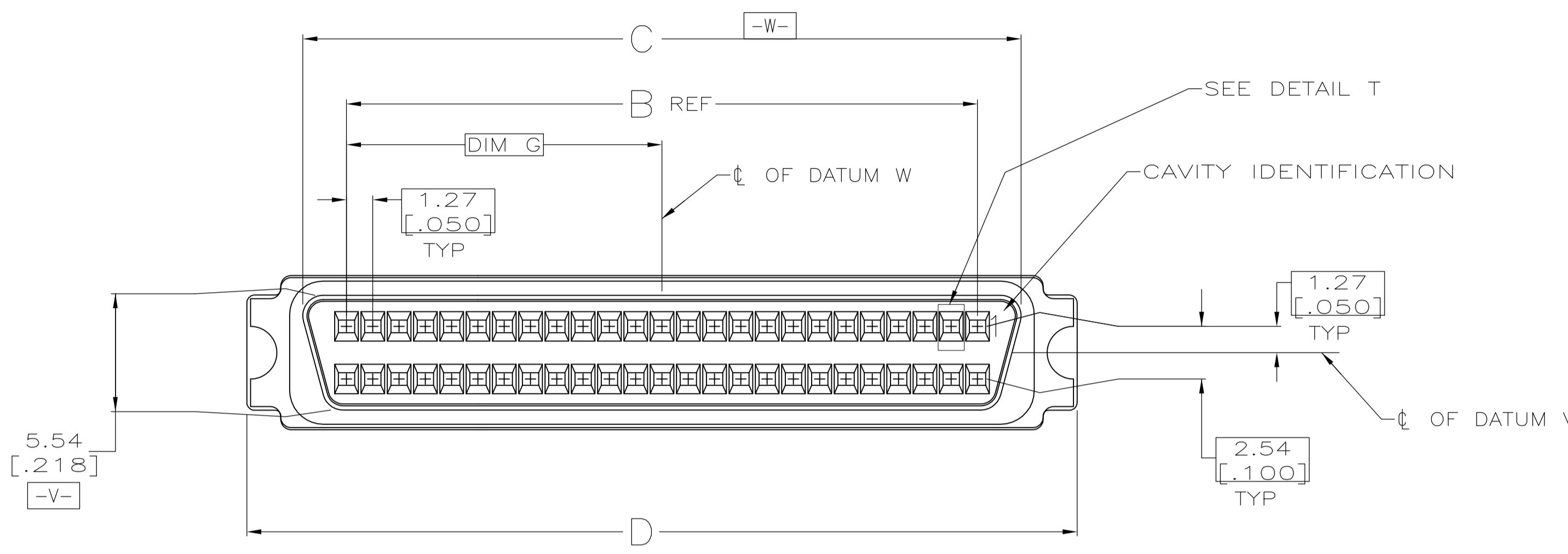
## Contact us

Tel: +86-755-8981 8866 Fax: +86-755-8427 6832

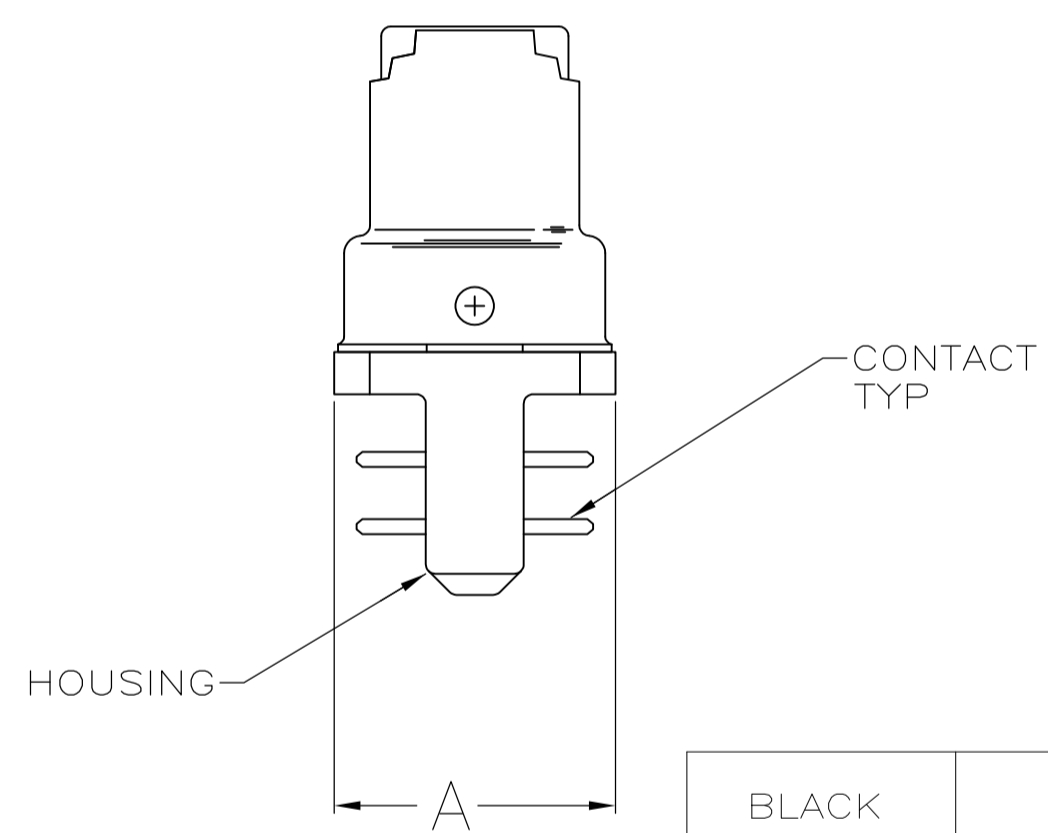
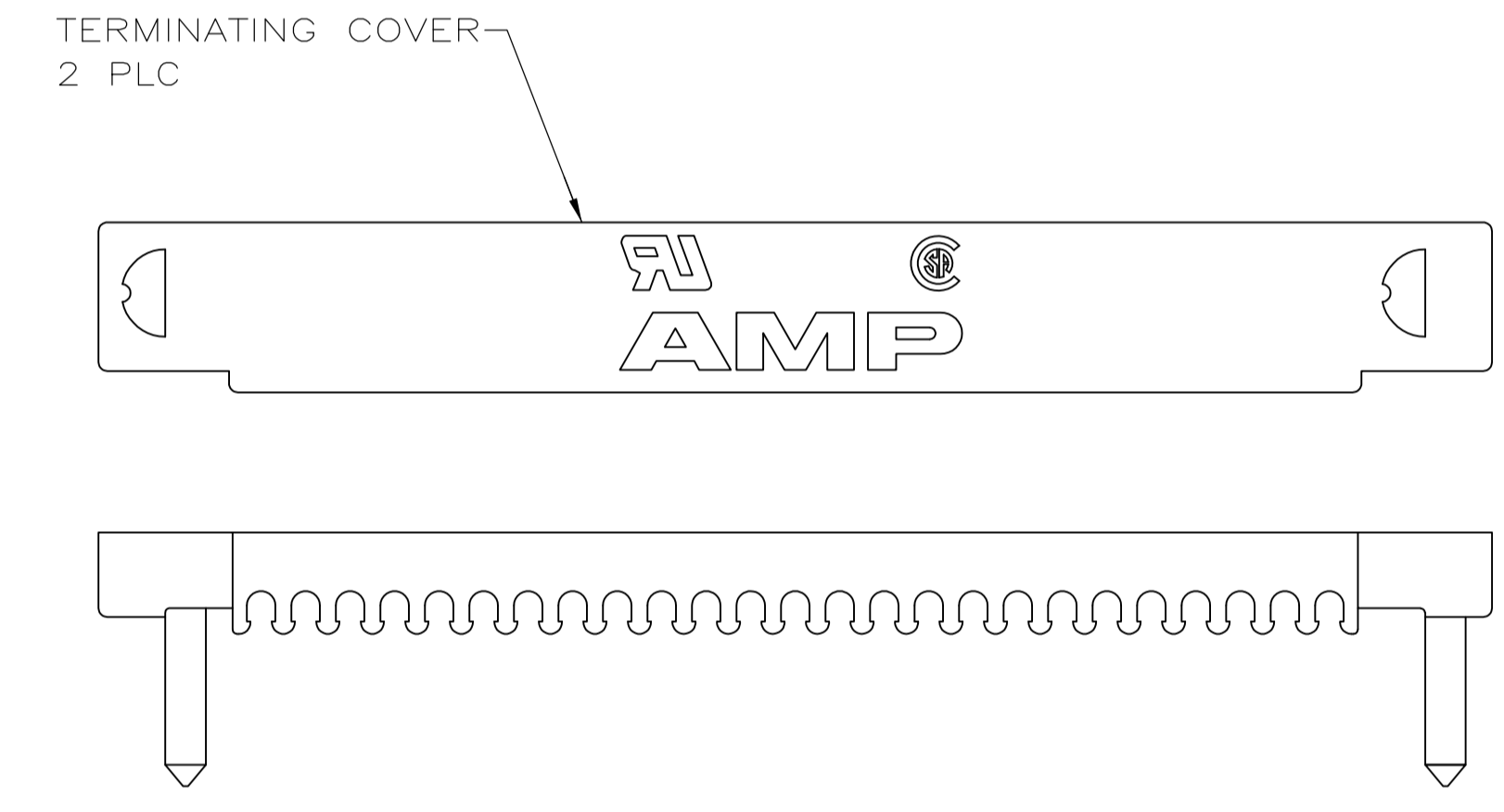
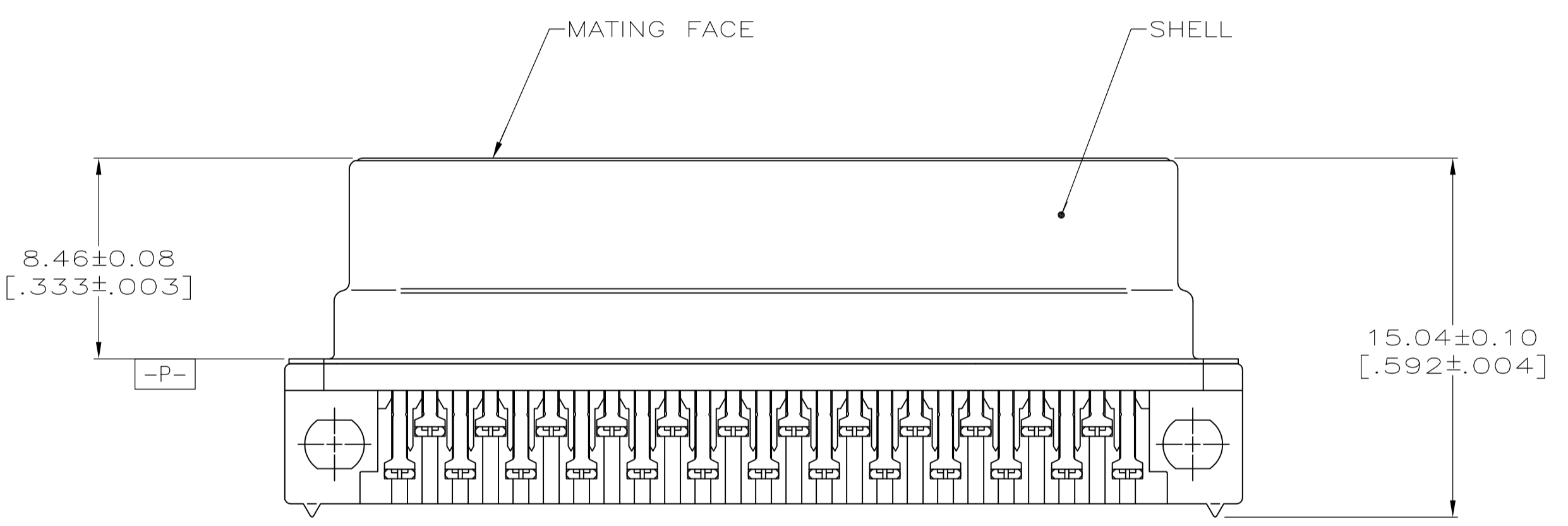
Email & Skype: info@chipsmall.com Web: www.chipsmall.com

Address: A1208, Overseas Decoration Building, #122 Zhenhua RD., Futian, Shenzhen, China

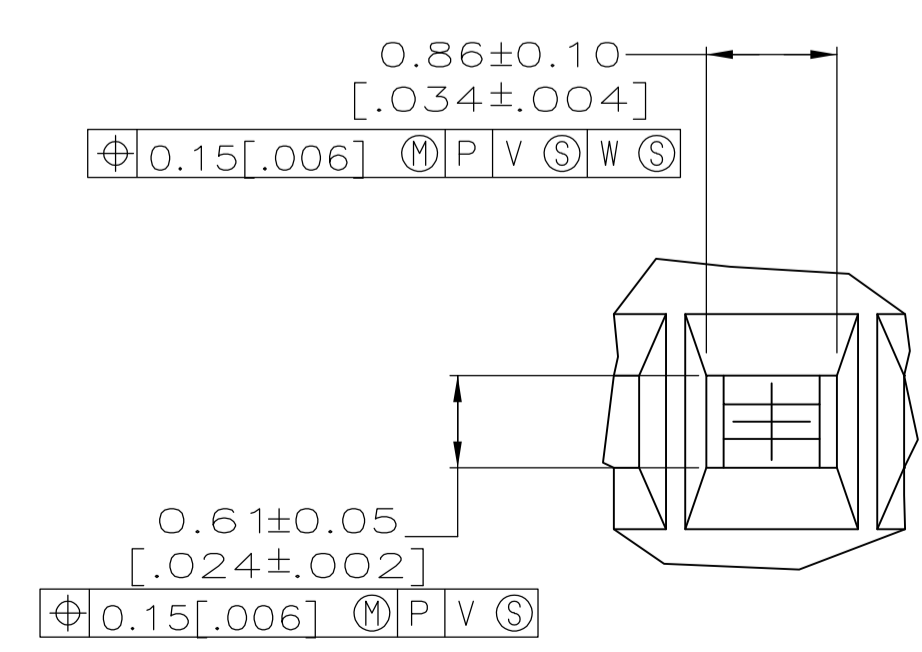
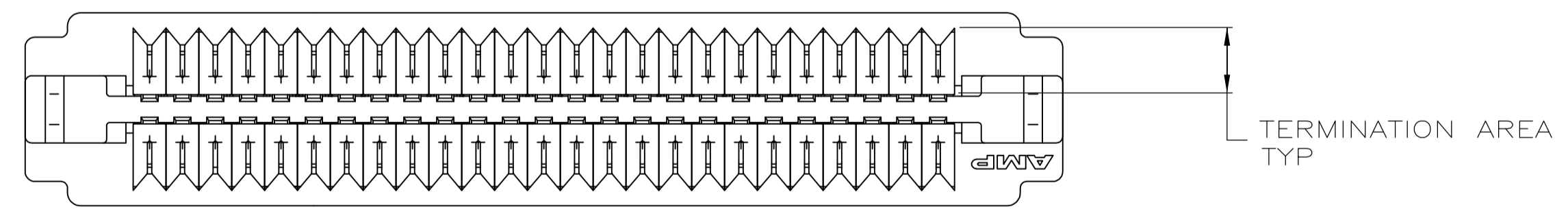




- 1 CONTACTS: PHOSPHOR BRONZE.  
SHELL: CARBON STEEL  
HOUSING: POLYESTER, BLACK, UL 94V-0 RATED.  
TERMINATING COVERS: POLYESTER, UL 94V-0 RATED; COLOR: SEE TABLE.
- 2 0.76µm [.000030] MIN GOLD FOR A LENGTH OF 0.64 [.025] MIN, 0.13 [.005] MAX FROM MATING END, 1.27µm [.000050] MIN TIN-LEAD IN TERMINATION AREA, BOTH OVER 1.27µm [.000050] MIN NICKEL.
- 3 5.08µm [.000200] MIN NICKEL OVER 1.27µm [.000050] MIN COPPER.
- 4 RECOMMENDED WIRE: 30 AWG - 28 AWG, SEE TABLE FOR INSULATION DIA.
- 5. COVERS PACKAGED SEPARATE FROM CONNECTORS IN SAME SHIPPING CONTAINER.
- 6 OBSOLETE PART NUMBER.
- 7 0.76µm [.000030] MIN GOLD FOR A LENGTH OF 0.64 [.025] MIN, 0.13 [.005] MAX FROM MATING END, 3.00µm [.000100] MIN TIN IN TERMINATION AREA, BOTH OVER 1.27µm [.000050] MIN NICKEL. AREA, BOTH OVER 1.27µm [.000050] MIN NICKEL.
- 8 SUPERSEDED BY 5786860-7.



**OBSOLETE**



DETAIL T  
 SCALE 20:1  
 TYPICAL

COVERS COLOR	CONTACT FINISH	WIRE OUTER DIA	G	D	C	B	A	NO OF POSN	REVISIONS
BLACK	△	0.81-0.91 DIA [.032-.036]	20.96 [.825]	51.54 [2.029]	46.13 [1.816]	41.91 [1.650]	7.39 [.291]	68	8 2-786860-0
GRAY	△	0.74-0.79 DIA [.029-.031]	31.12 [1.225]	71.86 [2.829]	66.45 [2.616]	62.23 [2.450]	9.42 [.371]	100	6 1-786860-9
GRAY	△	0.74-0.79 DIA [.029-.031]	20.96 [.825]	51.54 [2.029]	46.13 [1.816]	41.91 [1.650]	7.39 [.291]	68	6 1-786860-7
GRAY	△	0.74-0.79 DIA [.029-.031]	15.24 [.600]	40.11 [1.579]	34.70 [1.366]	30.48 [1.200]	7.39 [.291]	50	6 1-786860-5
GRAY	△	0.74-0.79 DIA [.029-.031]	12.06 [.475]	33.76 [1.329]	28.35 [1.116]	24.13 [.950]	7.39 [.291]	40	6 1-786860-4
GRAY	△	0.74-0.79 DIA [.029-.031]	7.62 [.300]	24.87 [.979]	19.46 [.766]	15.24 [.600]	7.39 [.291]	26	6 1-786860-2
BLACK	△	0.81-0.91 DIA [.032-.036]	31.12 [1.225]	71.86 [2.829]	66.45 [2.616]	62.23 [2.450]	9.42 [.371]	100	6 786860-9
BLACK	△	0.81-0.91 DIA [.032-.036]	20.96 [.825]	51.54 [2.029]	46.13 [1.816]	41.91 [1.650]	7.39 [.291]	68	6 786860-7
BLACK	△	0.81-0.91 DIA [.032-.036]	15.24 [.600]	40.11 [1.579]	34.70 [1.366]	30.48 [1.200]	7.39 [.291]	50	6 786860-5
BLACK	△	0.81-0.91 DIA [.032-.036]	12.06 [.475]	33.76 [1.329]	28.35 [1.116]	24.13 [.950]	7.39 [.291]	40	6 786860-4
BLACK	△	0.81-0.91 DIA [.032-.036]	7.62 [.300]	24.87 [.979]	19.46 [.766]	15.24 [.600]	7.39 [.291]	26	6 786860-2

THIS DRAWING IS A CONTROLLED DOCUMENT.

DIMENSIONS: mm [INCHES]	TOLERANCES UNLESS OTHERWISE SPECIFIED:	DIN C. COBERMAN 04/27/93	Tyco Electronics Corporation Harrisburg, PA 17105-3608
0 PLC ± -	1 PLC ± -	5-10-93	
2 PLC ± 0.13 [.005]	3 PLC ± -		
4 PLC ± -	ANGLES ± -		
MATERIAL	FINISH	APVD	NAME
△	△		
SHELL: △		PRODUCT SPEC	RECEPTACLE CABLE CONNECTOR KIT, UNASSEMBLED, WITH TERMINATING COVER, .050 SERIES, AMPLIMITE
CONTACTS: SEE TABLE		APPLICATION SPEC	108-1228
		WEIGHT	114-40029
		SCALE	5:1
		SHEET	1 OF 1
		REV	K