



Chipsmall Limited consists of a professional team with an average of over 10 year of expertise in the distribution of electronic components. Based in Hongkong, we have already established firm and mutual-benefit business relationships with customers from,Europe,America and south Asia,supplying obsolete and hard-to-find components to meet their specific needs.

With the principle of "Quality Parts,Customers Priority,Honest Operation,and Considerate Service",our business mainly focus on the distribution of electronic components. Line cards we deal with include Microchip,ALPS,ROHM,Xilinx,Pulse,ON,Everlight and Freescale. Main products comprise IC,Modules,Potentiometer,IC Socket,Relay,Connector.Our parts cover such applications as commercial,industrial, and automotives areas.

We are looking forward to setting up business relationship with you and hope to provide you with the best service and solution. Let us make a better world for our industry!



Contact us

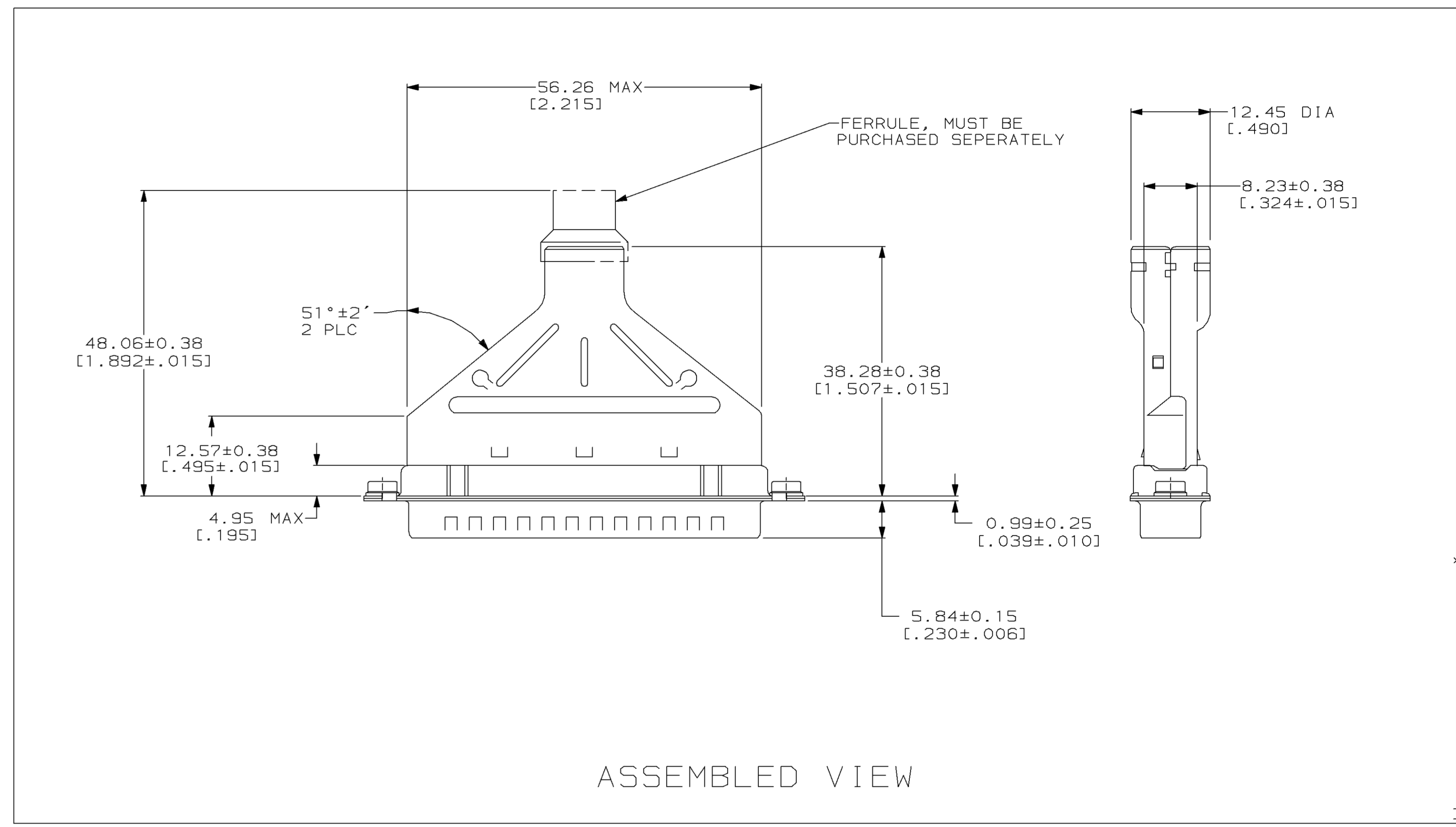
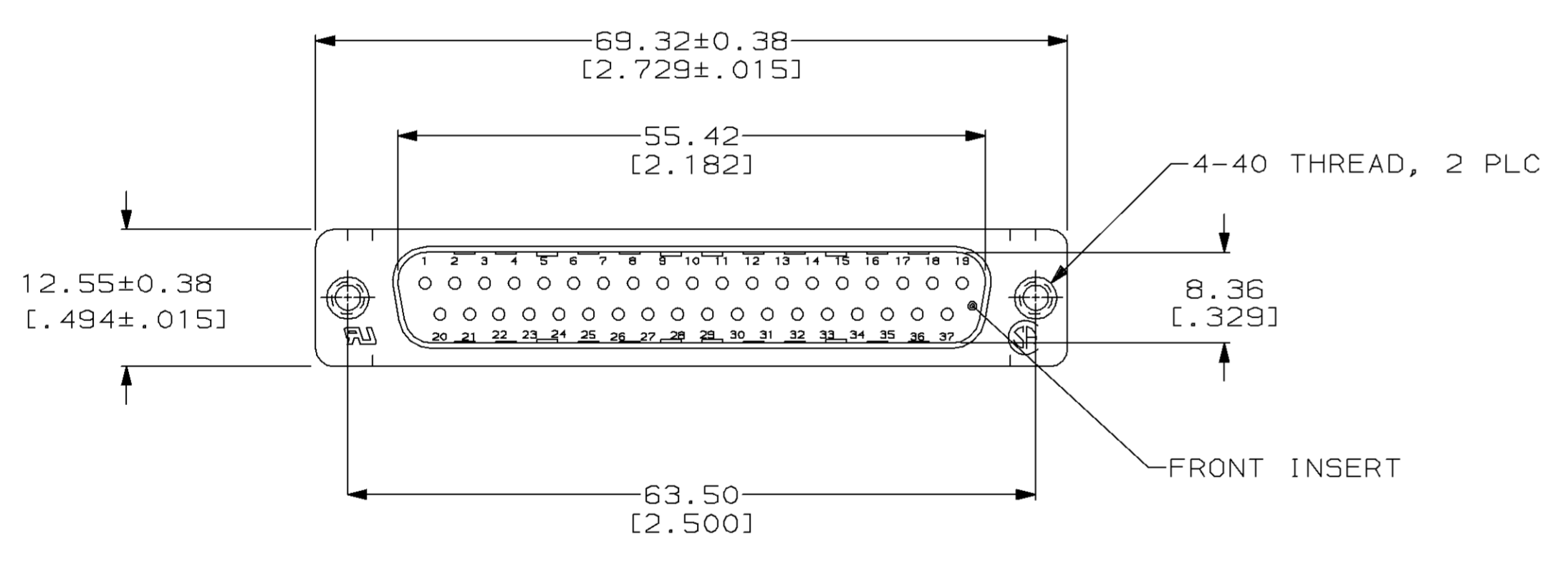
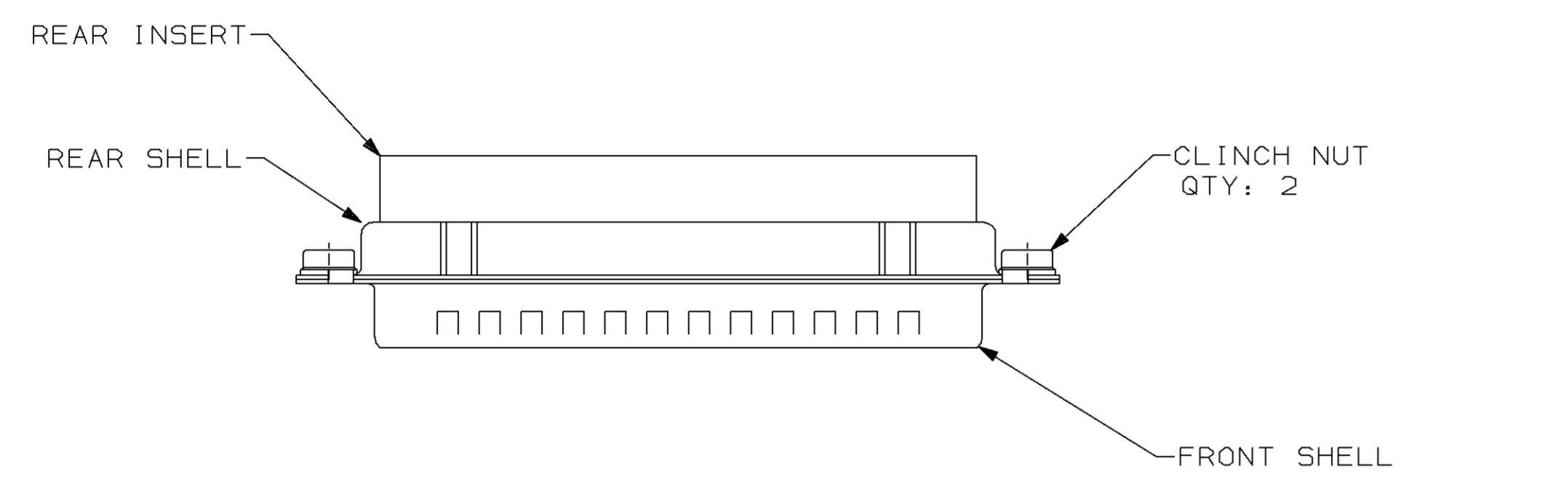
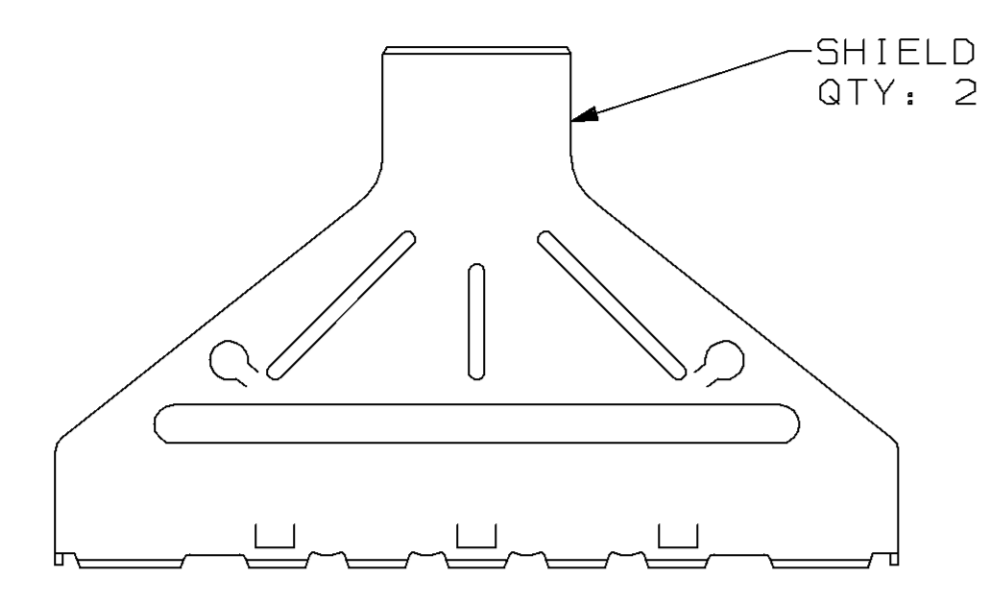
Tel: +86-755-8981 8866 Fax: +86-755-8427 6832

Email & Skype: info@chipsmall.com Web: www.chipsmall.com

Address: A1208, Overseas Decoration Building, #122 Zhenhua RD., Futian, Shenzhen, China



LOC		DIST		ZONE		LTR		REVISIONS			
BD		P	F					DESCRIPTION	DATE	APPD	
	48							0	RLSE NPR 4847, WAS 93-5788-2-1	6-28-93	-



ASSEMBLED VIEW

- 1 CARBON STEEL.
- 2 5.08µm [.000200] MIN TIN OVER 2.54µm [.000100] MIN COPPER.
- 3 NYLON, UL 94V-0 RATED, GLASS FILLED, BLACK.
- 4 ZINC PLATED, YELLOW CHROMATE.

THIS DRAWING IS A CONTROLLED DOCUMENT FOR AMP INCORPORATED. IT IS SUBJECT TO CHANGE AND THE CONTROLLING ENGINEERING ORGANIZATION SHOULD BE CONTACTED FOR THE LATEST REVISION.

DO NOT SCALE PRINT. UNLESS SPECIFIED DIMENSIONS IN mm [INCHES] TOLERANCES ON:		DR 6-28-93 J McCLINTON	AMP Incorporated Harrisburg, PA 17105-3608	
2 PLC DEC ± 0.13 (.005)		CHK 6-28-93 R. STONE		
3 PLC DEC ± -		APPD 6-29-93 S. BRINSER	NAME PLUG KIT, UNASSEMBLED, SIZE 4, 37 POSITION, WITH SHIELDING HARDWARE AND CLINCH NUT, HDP-20 AMPLIMITE™	
ANGLES ± -		APPD 6-29-93 S. BRINSER		
MATERIAL INSERTS: 3		PRODUCT SPEC 108-40030	SIZE CAGE CODE DRAWING NO. D 00779 C= 786929	
SHELLS, SHIELDS & CLINCH NUTS: 4		APPLICATION SPEC 114-40007		
FINISH SHELLS & SHIELDS: 4		WEIGHT -	SCALE 4:1 SHEET 1 OF 1	
CLINCH NUTS: 4		CUSTOMER DRAWING		