



Chipsmall Limited consists of a professional team with an average of over 10 year of expertise in the distribution of electronic components. Based in Hongkong, we have already established firm and mutual-benefit business relationships with customers from,Europe,America and south Asia,supplying obsolete and hard-to-find components to meet their specific needs.

With the principle of "Quality Parts,Customers Priority,Honest Operation,and Considerate Service",our business mainly focus on the distribution of electronic components. Line cards we deal with include Microchip,ALPS,ROHM,Xilinx,Pulse,ON,Everlight and Freescale. Main products comprise IC,Modules,Potentiometer,IC Socket,Relay,Connector.Our parts cover such applications as commercial,industrial, and automotives areas.

We are looking forward to setting up business relationship with you and hope to provide you with the best service and solution. Let us make a better world for our industry!



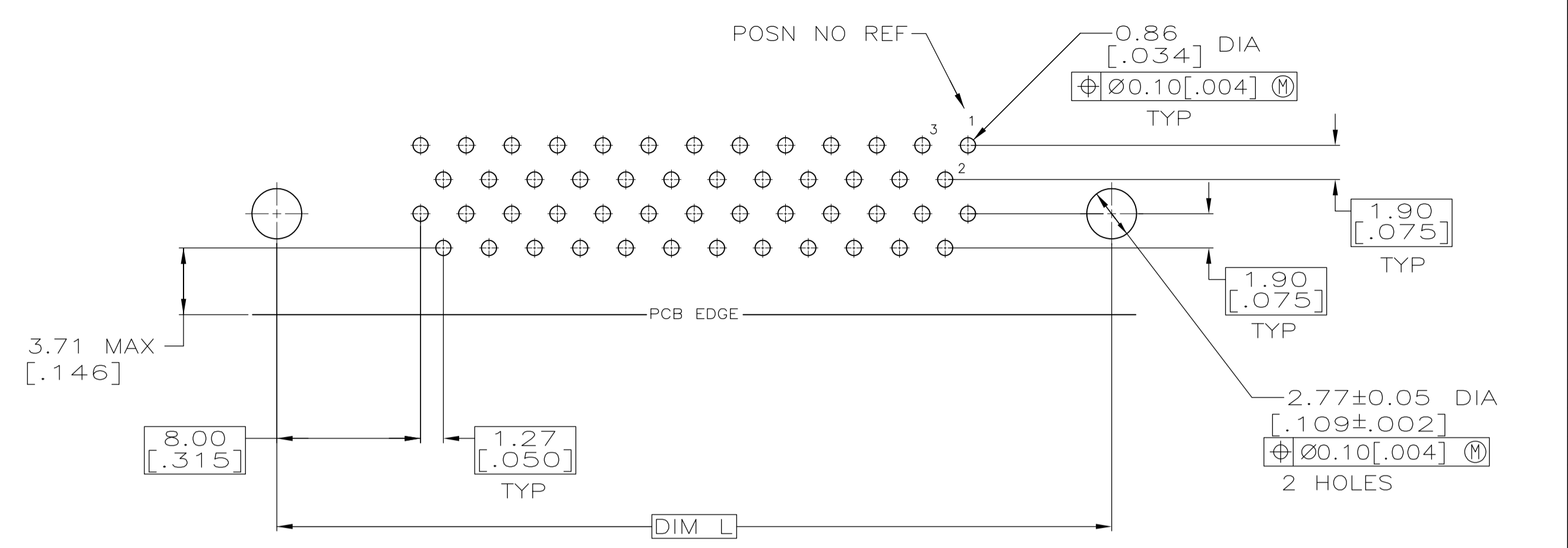
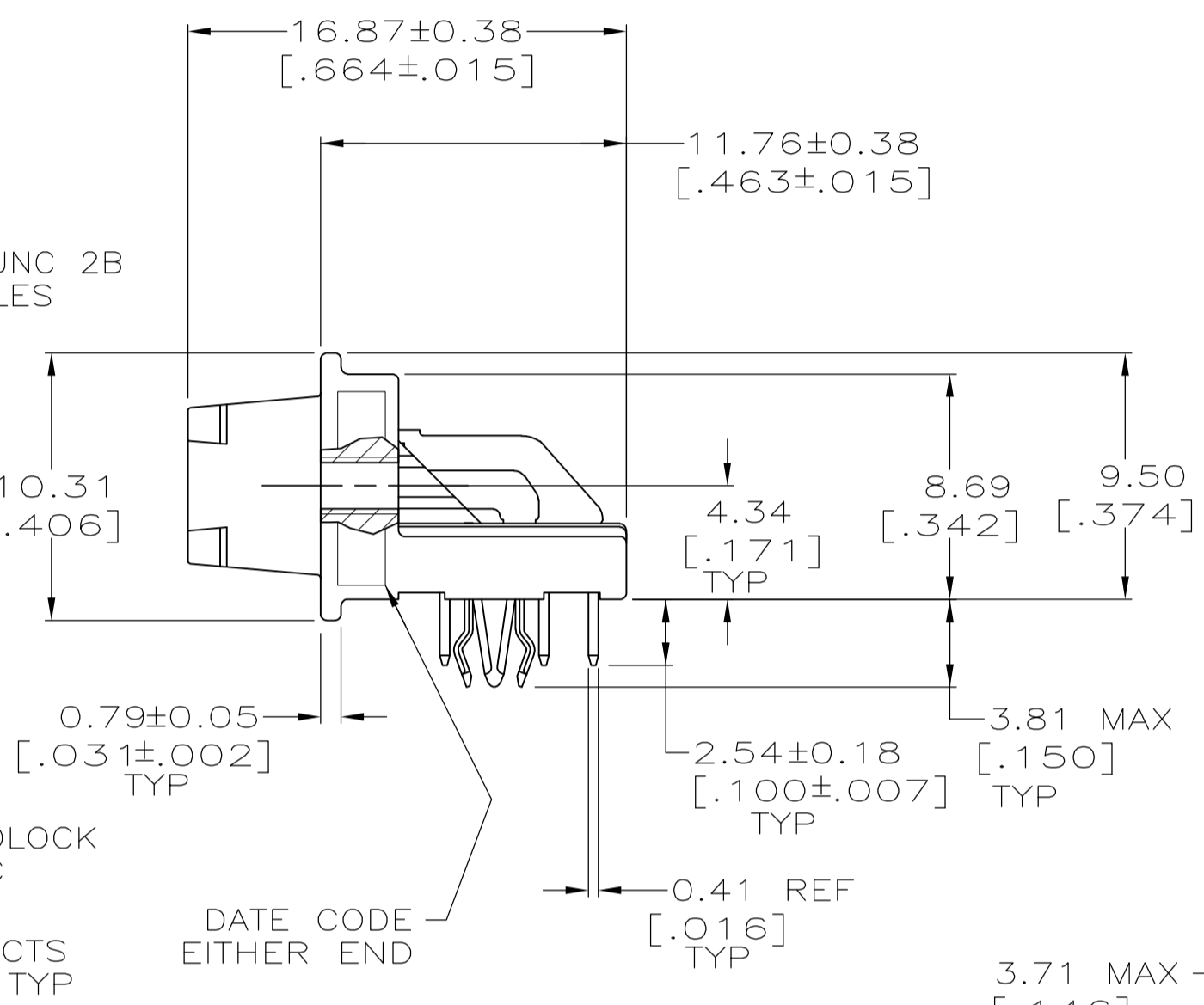
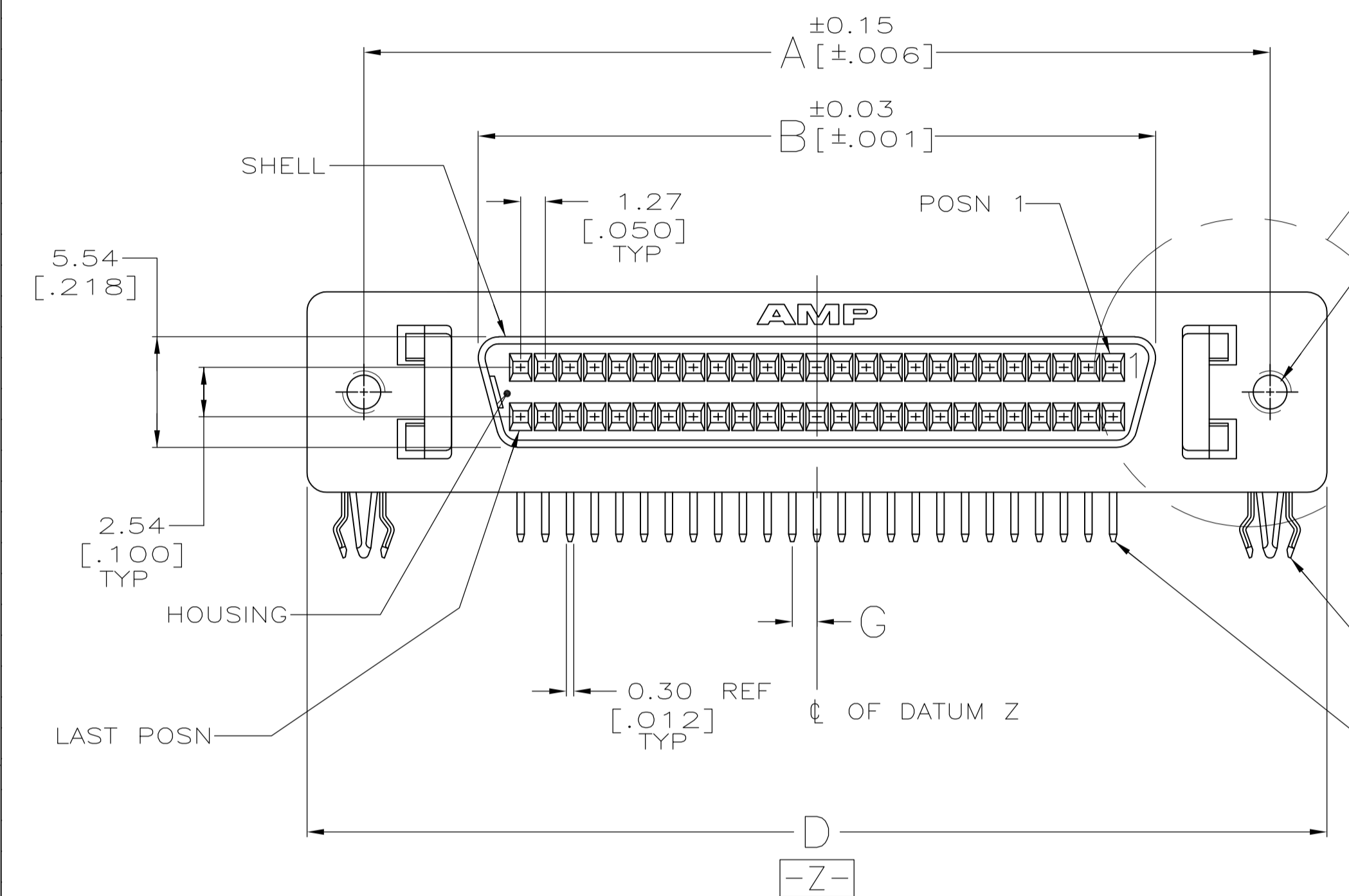
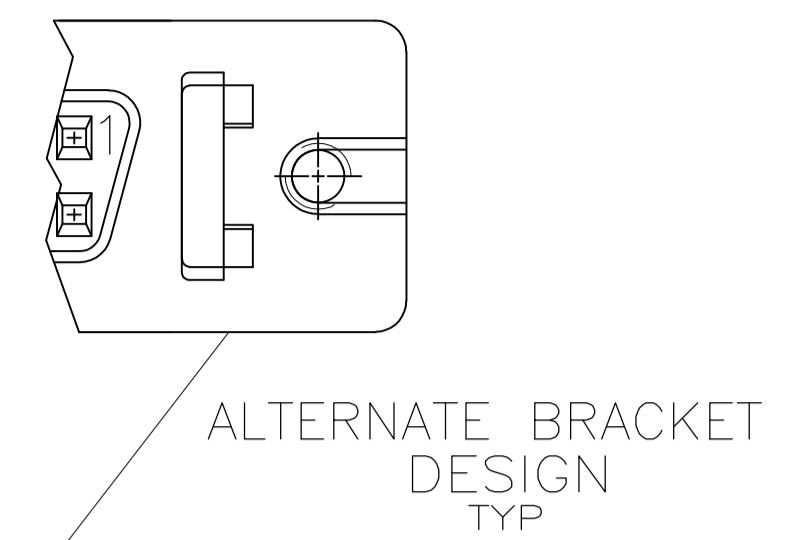
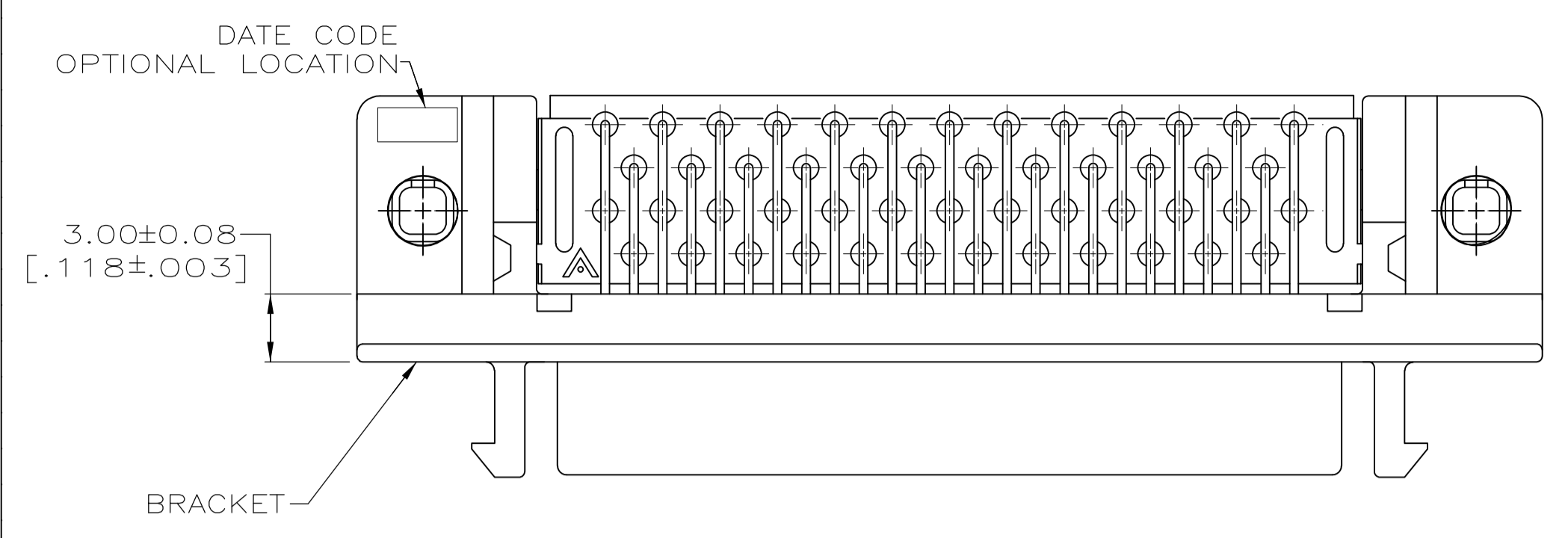
Contact us

Tel: +86-755-8981 8866 Fax: +86-755-8427 6832

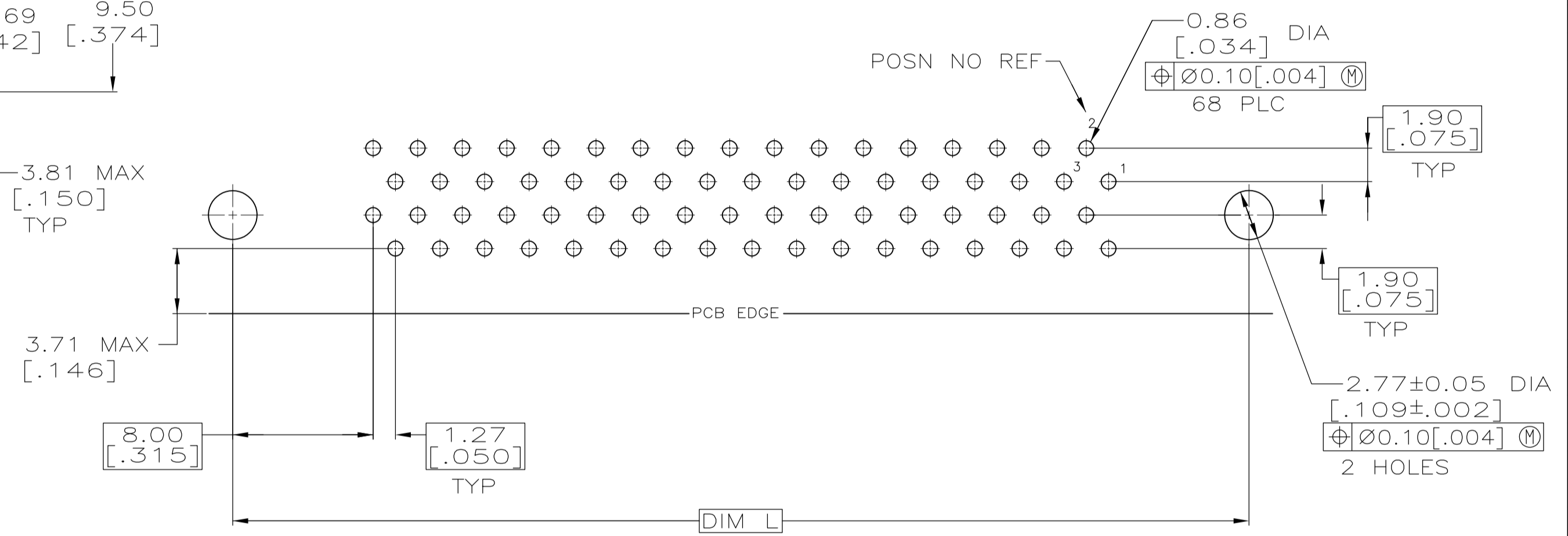
Email & Skype: info@chipsmall.com Web: www.chipsmall.com

Address: A1208, Overseas Decoration Building, #122 Zhenhua RD., Futian, Shenzhen, China

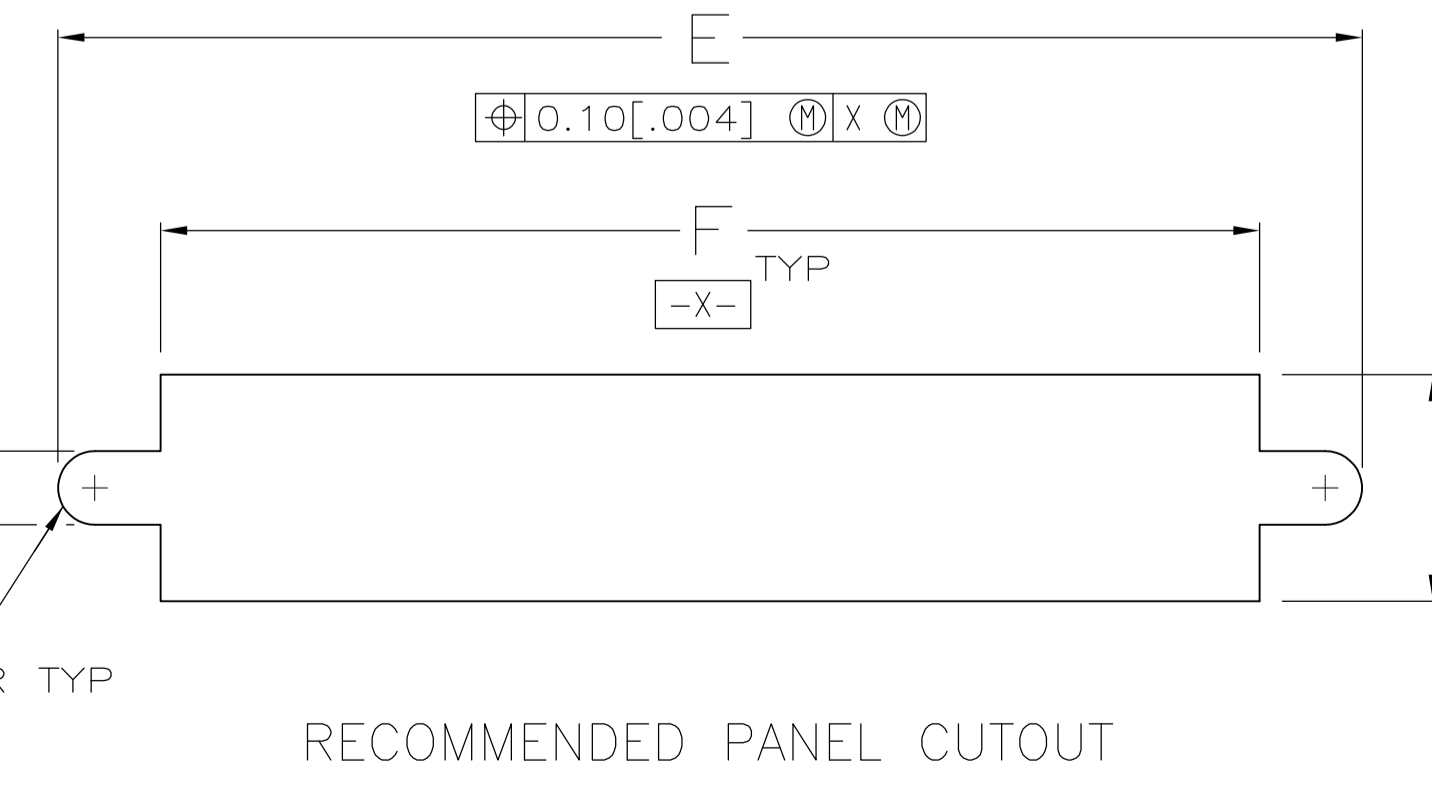
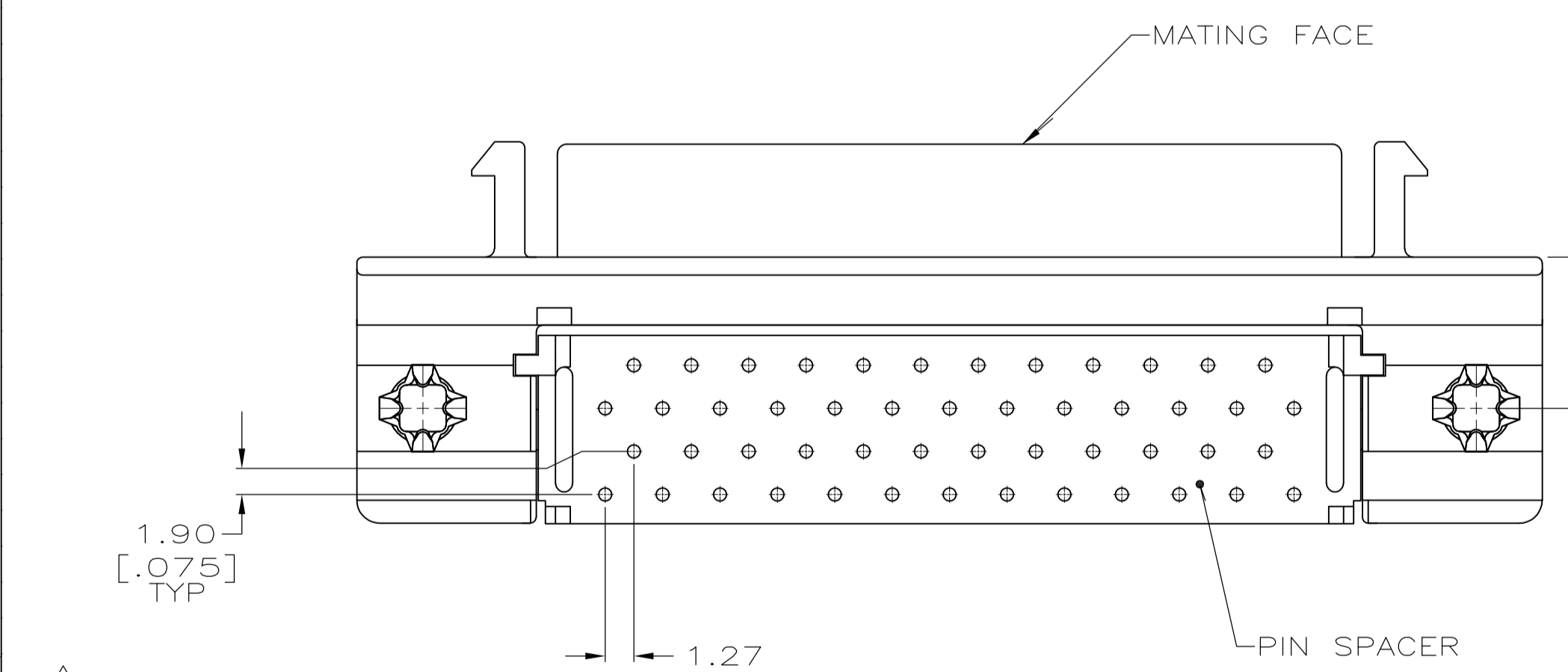




P.C. BOARD MOUNTING DIMENSIONS
CONNECTOR SIDE
P.C. BOARD THICKNESS 1.57±0.20 [.062±.008]
PC BOARD PATTERN S



P.C. BOARD MOUNTING DIMENSIONS
CONNECTOR SIDE
P.C. BOARD THICKNESS 1.57±0.20 [.062±.008]
PC BOARD PATTERN T



MATERIAL
CONTACTS: PHOSPHOR BRONZE
HOUSING & PIN SPACER: UL 94V-0 RATED, THERMOPLASTIC, BLACK
BRACKET: ZINC
SHELL: CARBON STEEL
BOARDLOCKS: COPPER ALLOY.

FINISH
CONTACTS: EITHER 0.76µm [.000030] MIN GOLD PLATE FOR A LENGTH OF 0.64 [.025] MAX, 0.13 [.005] MIN FROM MATING END OR GOLD FLASH OVER PALLADIUM NICKEL PLATE, 0.76µm [.000030] MIN TOTAL FOR A LENGTH OF 0.64 [.025] MAX, 0.13 [.005] MIN FROM MATING END. 3.81µm [.000150] MIN TIN-LEAD FOR A LENGTH OF 2.72 [.107] MIN FROM OPPOSITE END, ALL OVER 1.27µm [.000050] MIN NICKEL UNDERPLATE.
SHELL: 5.08µm [.000200] MIN NICKEL OVER 1.27µm [.000050] MIN COPPER.
BRACKET 2.54µm [.000100] MIN NICKEL OVER 5.08µm [.000200] COPPER.

- ③ 5.08µm [.000200] MIN TIN-LEAD OVER 1.27µm [.000050] MIN NICKEL.
- ④ 3.00µm [.000118] MIN TIN OVER 1.27µm [.000050] MIN NICKEL.
- ⑤ OBSOLETE PARTS: OBSOLETE CIS STREAMLINING PER D.RENAUD/D.SINISI

⑤ SUPERSEDED BY 5787082-5
OBSOLETE

PACKAGING	BOARDLOCK FINISH	PC BOARD PATTERN	L	G	F	E	D	B	A	NO OF POSN	PART NUMBER
TUBE	④	T	78.23 [3.080]	0.64 [.025]	74.55 [2.935]	80.67 [3.176]	84.20 [3.315]	66.45 [2.616]	78.23 [3.080]	100	1-787082-8
TUBE	④	T	57.91 [2.280]	0.64 [.025]	54.23 [2.135]	60.35 [2.376]	63.88 [2.515]	46.13 [1.816]	57.91 [2.280]	68	1-787082-7
TUBE	④	S	46.48 [1.830]	1.27 [.050]	42.80 [1.685]	48.92 [1.926]	52.45 [2.065]	34.70 [1.366]	46.48 [1.830]	50	1-787082-6
TRAY	③	S	46.48 [1.830]	1.27 [.050]	42.80 [1.685]	48.92 [1.926]	52.45 [2.065]	34.70 [1.366]	46.48 [1.830]	50	1-787082-5
TUBE	③	T	78.23 [3.080]	0.64 [.025]	74.55 [2.935]	80.67 [3.176]	84.20 [3.315]	66.45 [2.616]	78.23 [3.080]	100	787082-9
TUBE	③	T	57.91 [2.280]	0.64 [.025]	54.23 [2.135]	60.35 [2.376]	63.88 [2.515]	46.13 [1.816]	57.91 [2.280]	68	787082-7
TUBE	③	S	46.48 [1.830]	1.27 [.050]	42.80 [1.685]	48.92 [1.926]	52.45 [2.065]	34.70 [1.366]	46.48 [1.830]	50	787082-5
TUBE	③	T	32.51 [1.280]	0.64 [.025]	28.83 [1.135]	34.95 [1.376]	38.48 [1.515]	20.73 [.816]	32.51 [1.280]	28	787082-3
TUBE	③	S	31.24 [1.230]	1.27 [.050]	27.56 [1.085]	33.68 [1.326]	37.21 [1.465]	19.46 [.766]	31.24 [1.230]	26	787082-2

THIS DRAWING IS A CONTROLLED DOCUMENT. DIN D. BROCKWAY 12-14-93
CHK R. STONE 1-5-94

DIMENSIONS: INCHES	TOLERANCES UNLESS OTHERWISE SPECIFIED:	PRODUCT SPEC	108-1228
0 PLC ± -	1 PLC ± -	APPLICATION SPEC	114-40029
2 PLC ± 0.13 [.005]	3 PLC ± -	WEIGHT	-
4 PLC ± -	ANGLES ± -	CUSTOMER DRAWING	SCALE 4:1 SHEET 1 OF 1 REV Y2

STE TE Connectivity
RECEPTACLE ASSEMBLY, SHIELDED, RIGHT ANGLE, .050 SERIES, AMPLIMITE