



Chipsmall Limited consists of a professional team with an average of over 10 year of expertise in the distribution of electronic components. Based in Hongkong, we have already established firm and mutual-benefit business relationships with customers from,Europe,America and south Asia,supplying obsolete and hard-to-find components to meet their specific needs.

With the principle of "Quality Parts,Customers Priority,Honest Operation,and Considerate Service",our business mainly focus on the distribution of electronic components. Line cards we deal with include Microchip,ALPS,ROHM,Xilinx,Pulse,ON,Everlight and Freescale. Main products comprise IC,Modules,Potentiometer,IC Socket,Relay,Connector.Our parts cover such applications as commercial,industrial, and automotives areas.

We are looking forward to setting up business relationship with you and hope to provide you with the best service and solution. Let us make a better world for our industry!



Contact us

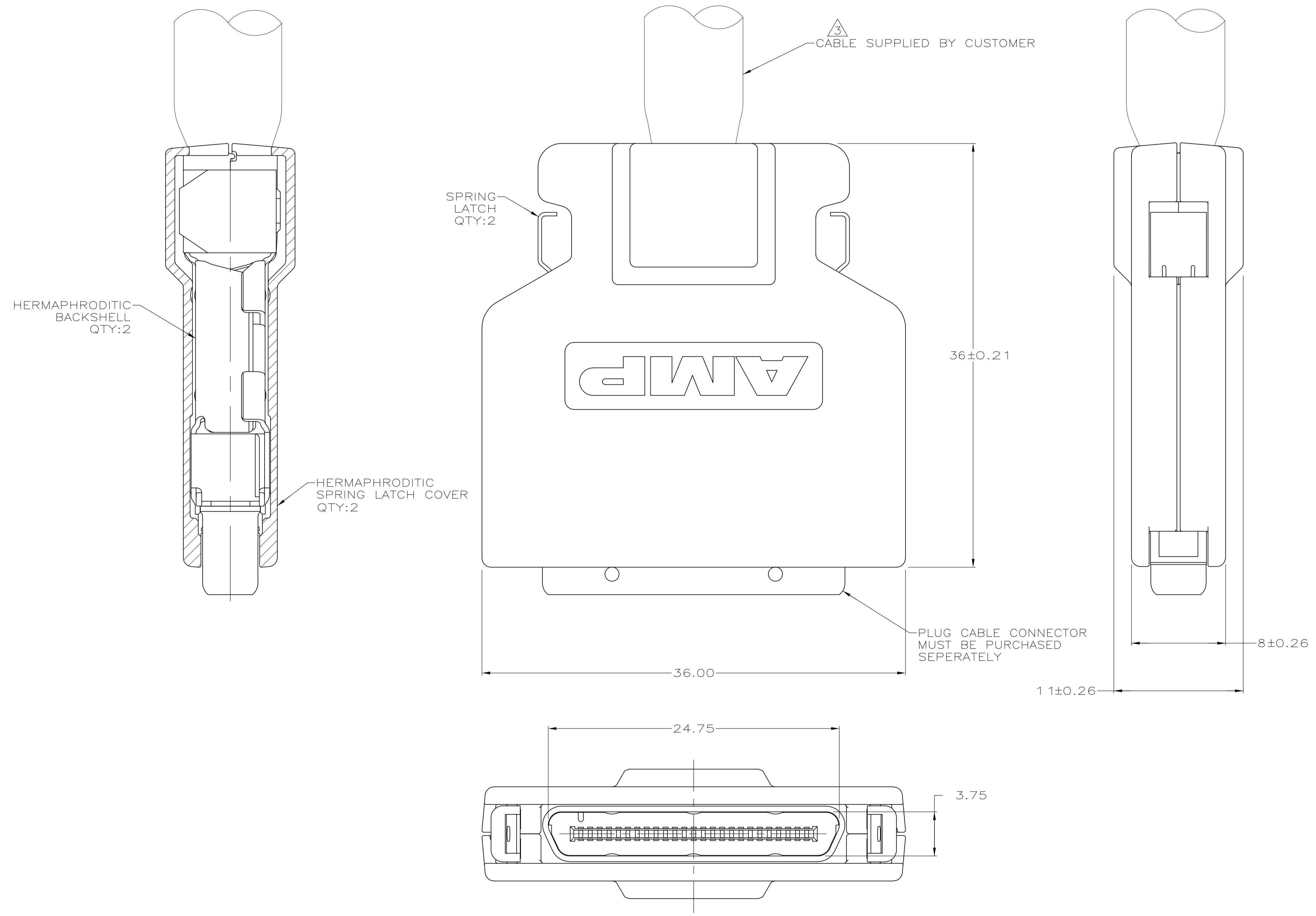
Tel: +86-755-8981 8866 Fax: +86-755-8427 6832

Email & Skype: info@chipsmall.com Web: www.chipsmall.com

Address: A1208, Overseas Decoration Building, #122 Zhenhua RD., Futian, Shenzhen, China



LOC		DIST		REVISIONS			
GP	00	REV	DATE	BY	APPV		
E			28MAR2013	CJV	EDB		



- ⚠ MATERIAL:
HERMAPHRODITIC BACKSHELL- STEEL.
SPRING LATCH- STAINLESS STEEL.
HERMAPHRODITIC SPRING LATCH COVER- UL 94V-0 RATED
ABS MOLDING COMPOUND, COLOR-BLACK.
- ⚠ PLATING:
HERMAPHRODITIC BACKSHELL- 5µm MIN BRIGHT NICKEL OVER
2.5µm MIN COPPER.
- ⚠ RECOMMENDED WIRE: 30 AWG WITH A 0.56-0.64 INSULATION DIAMETER,
WIRE MUST BE APPROVED BY AMP ENGINEERING.

INDIVIDUAL KIT	787133-2
BULK KIT	787133-1
PACKAGING TYPE	PART NUMBER

THIS DRAWING IS A CONTROLLED DOCUMENT. DIMENSIONING AND TOLERANCING PER ASME Y14.5M-2009

DIMENSIONS:	TOLERANCES UNLESS OTHERWISE SPECIFIED:	DESIGNED BY: T. SHUEY	DATE: 02/20/13
mm	0. PLC ± -	CHECKED BY: J. GERACE	
	1. PLC ± -	APPROVED BY: M. WALMSLEY	
	2. PLC ± 0.13	NAME: M. WALMSLEY	
	3. PLC ± -	PRODUCT SPEC: 108-1471	
	4. PLC ± -	APPLICATION SPEC: -	
	ANGLES ± -	SIZE: A1	SCALE: 5:1
MATERIAL: 1	FINISH: 2	WEIGHT: -	DRAWING NO: 787133
CUSTOMER DRAWING		RESTRICTED TO: -	SHEET 1 OF 1

STE TE Connectivity

BACKSHELL KIT, 50 POSITION, SQUEEZE TO RELEASE, CABLE CONNECTOR, 0.8mm CHAMP