



Chipsmall Limited consists of a professional team with an average of over 10 year of expertise in the distribution of electronic components. Based in Hongkong, we have already established firm and mutual-benefit business relationships with customers from,Europe,America and south Asia,supplying obsolete and hard-to-find components to meet their specific needs.

With the principle of “Quality Parts,Customers Priority,Honest Operation,and Considerate Service”,our business mainly focus on the distribution of electronic components. Line cards we deal with include Microchip,ALPS,ROHM,Xilinx,Pulse,ON,Everlight and Freescale. Main products comprise IC,Modules,Potentiometer,IC Socket,Relay,Connector.Our parts cover such applications as commercial,industrial, and automotives areas.

We are looking forward to setting up business relationship with you and hope to provide you with the best service and solution. Let us make a better world for our industry!



## Contact us

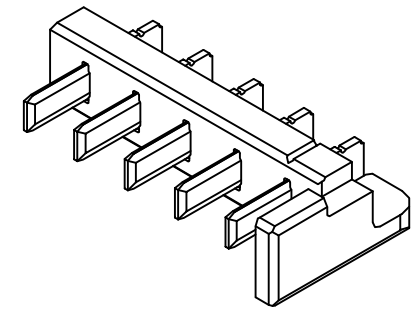
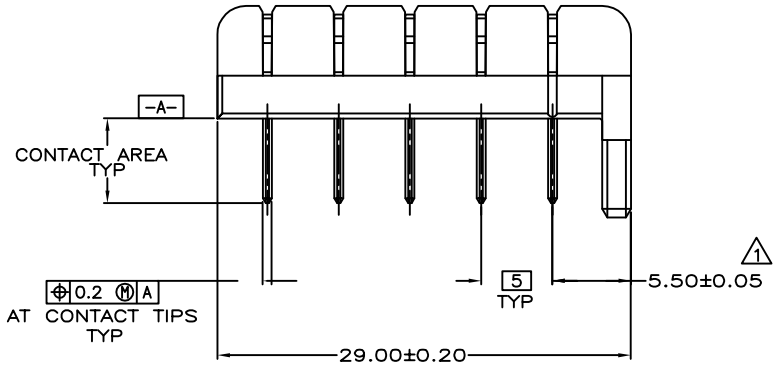
Tel: +86-755-8981 8866 Fax: +86-755-8427 6832

Email & Skype: info@chipsmall.com Web: www.chipsmall.com

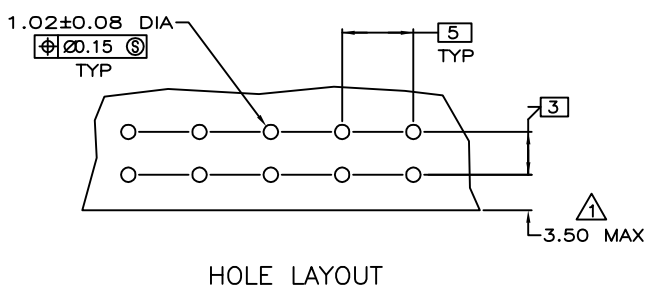
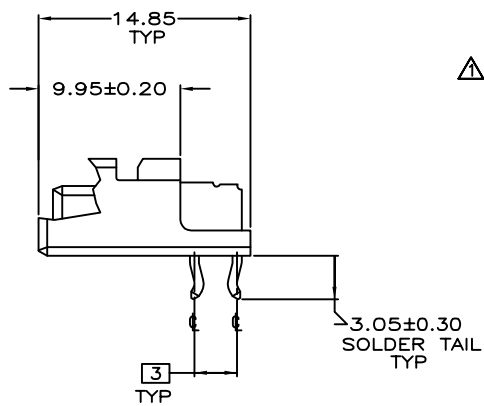
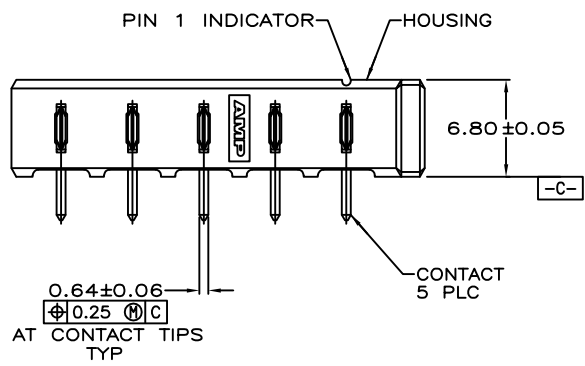
Address: A1208, Overseas Decoration Building, #122 Zhenhua RD., Futian, Shenzhen, China



LOC	DIST	P	F	ZONE	LTR	DESCRIPTION	DATE	APPD
ES	00					RLSE -1 NPR 5055, WAS 93-1878-131-1	02/17/94	-
					A	REV PER EC0020-346-94	04/14/94	RSK
					B	REV PER EC0020-645-94	07/07/94	RSK
					D	REVISED PER ECR-10-002761	02/08/10	S.Y.



△ COORDINATE DIMENSION APPLIES FROM CENTER OF ACTUAL FEATURE.



DO NOT SCALE PRINT. DIMENSIONS IN mm TOLERANCES ON : 2 PLC DEC ±0.10 3 PLC DEC ± - ANGLES ± -		DR 11/11/93 G.DOUTY	787141-1 PART NO	
MATERIAL HOUSING: LCP, BLACK CONTACTS: BRASS	FINISH CONTACTS: 2.54µm MIN TIN-LEAD ON SOLDER TAIL OVER 1.90µm MIN NICKEL ALL OVER	CHK 02/17/94 S.KLINE	APPD 02/17/94 S.KLINE	APPD 02/17/94 S.KLINE
PRODUCT SPEC 108-1501		NAME HEADER ASSEMBLY, RIGHT ANGLE, 5mm $\phi$ , 5 POSITION, SINGLE KEY, RIGHT VOLTAGE KEY, RETENTIVE SOLDER TAILS, BATTERY INTERCONNECT, 7.2 VOLT		
APPLICATION SPEC -		SIZE C	CAGE CODE 00779	DRAWING NO C-787141
WEIGHT -		SCALE 4:1	SHEET 1 OF 1	