



Chipsmall Limited consists of a professional team with an average of over 10 year of expertise in the distribution of electronic components. Based in Hongkong, we have already established firm and mutual-benefit business relationships with customers from,Europe,America and south Asia,supplying obsolete and hard-to-find components to meet their specific needs.

With the principle of “Quality Parts,Customers Priority,Honest Operation,and Considerate Service”,our business mainly focus on the distribution of electronic components. Line cards we deal with include Microchip,ALPS,ROHM,Xilinx,Pulse,ON,Everlight and Freescale. Main products comprise IC,Modules,Potentiometer,IC Socket,Relay,Connector.Our parts cover such applications as commercial,industrial, and automotives areas.

We are looking forward to setting up business relationship with you and hope to provide you with the best service and solution. Let us make a better world for our industry!



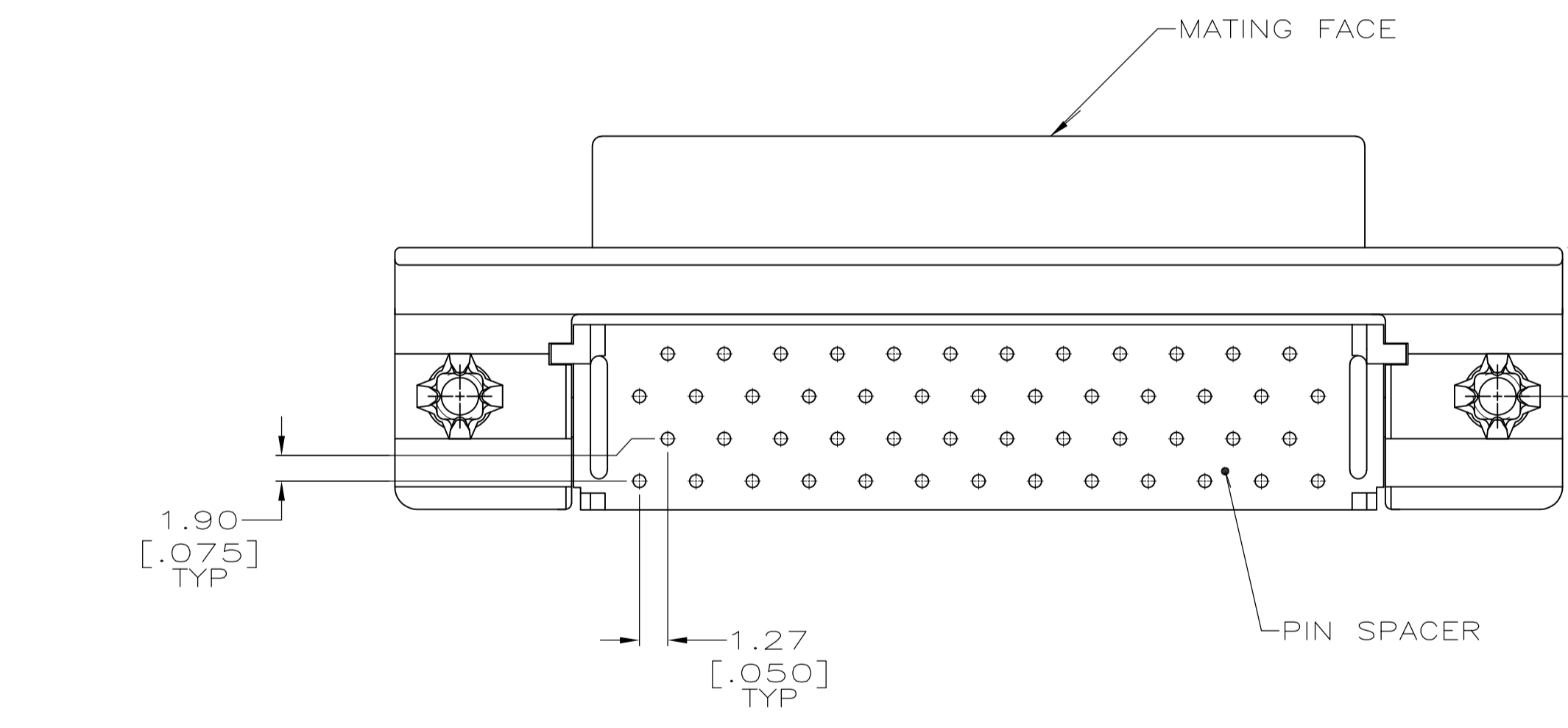
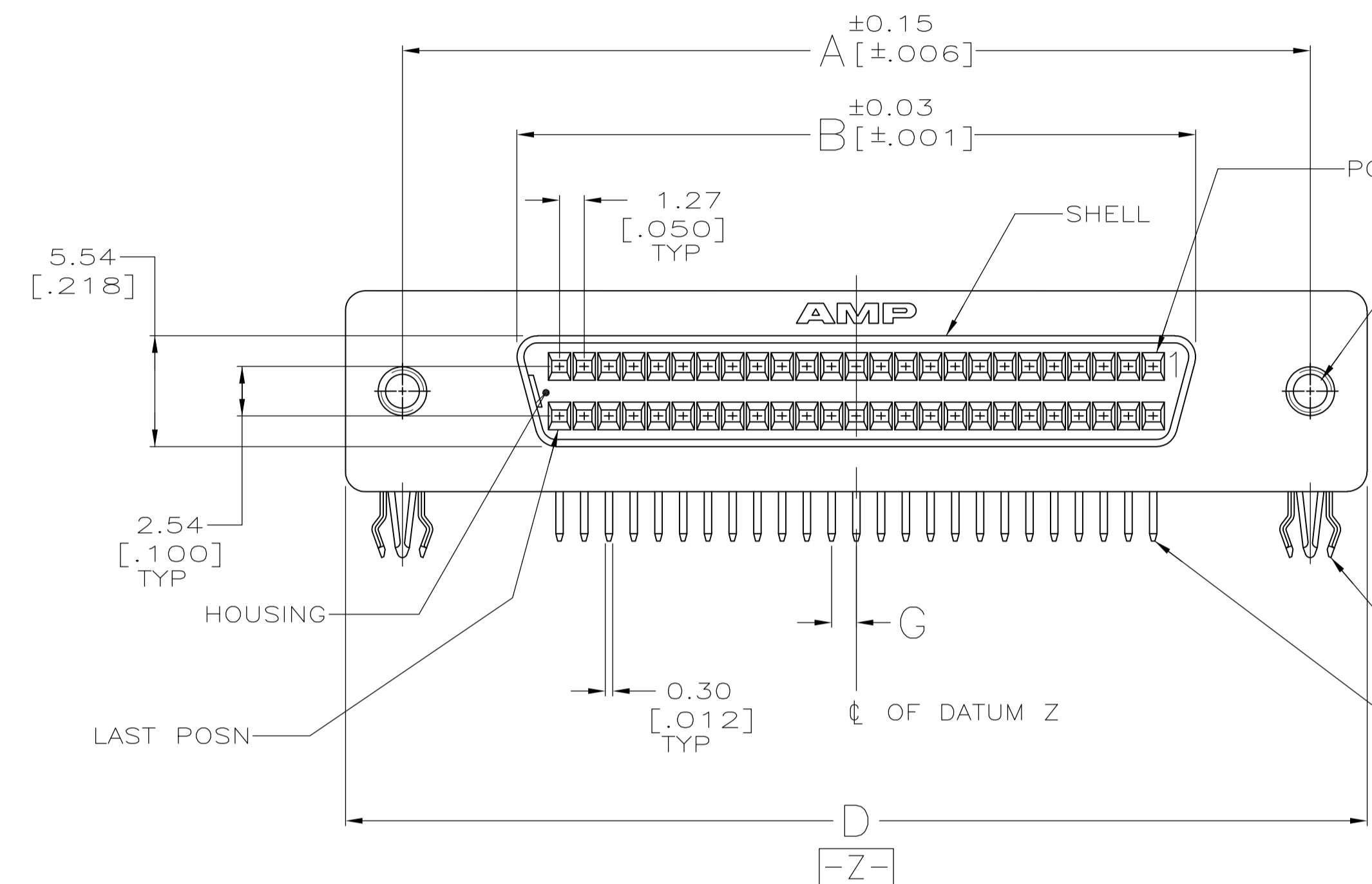
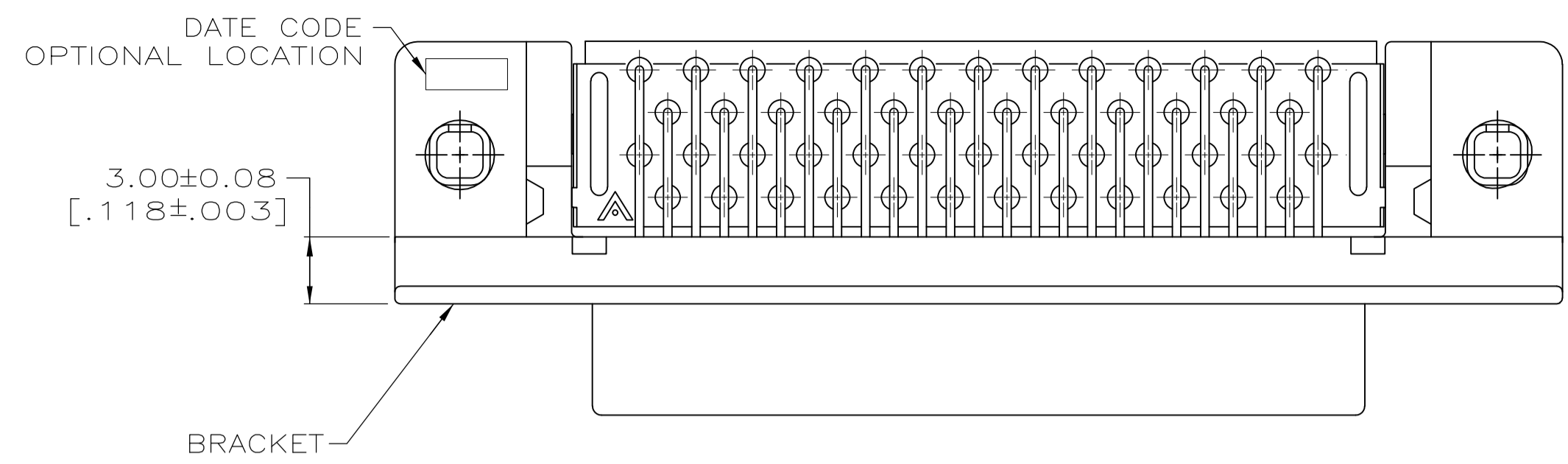
Contact us

Tel: +86-755-8981 8866 Fax: +86-755-8427 6832

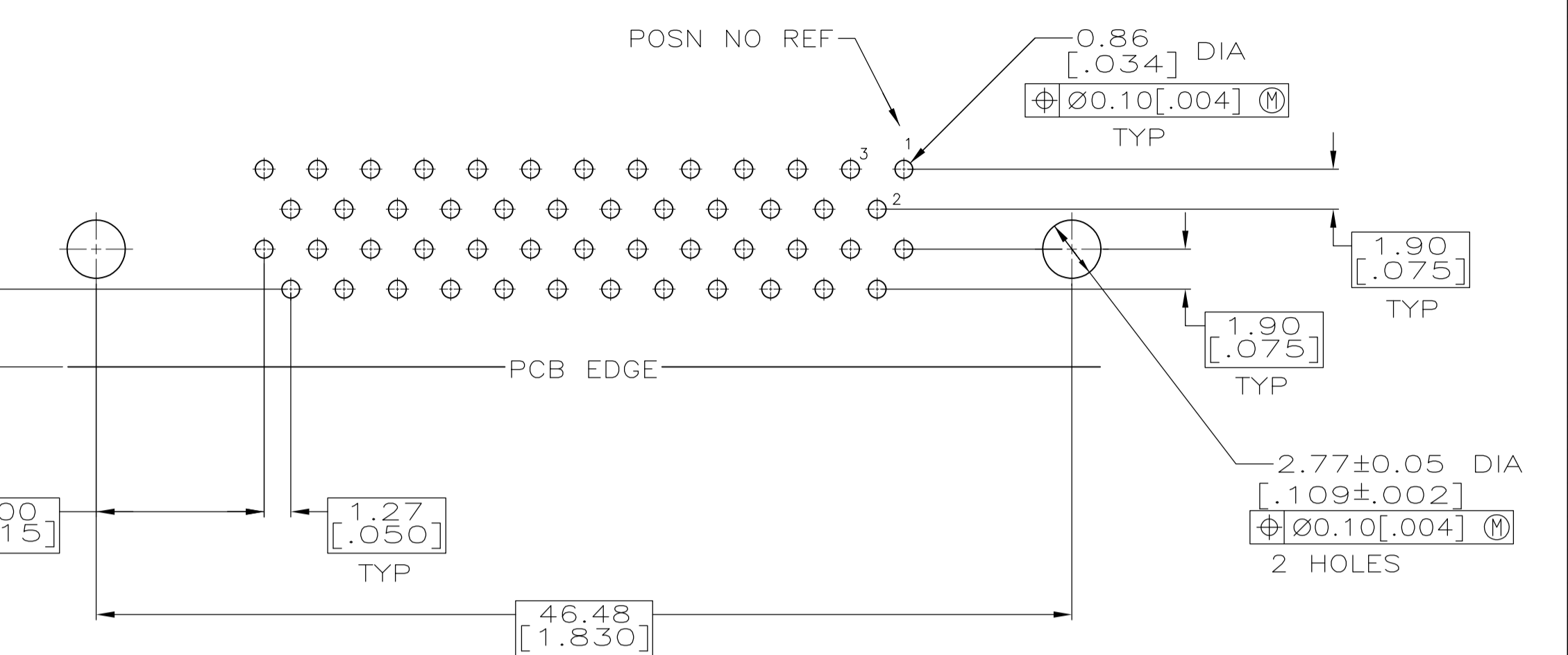
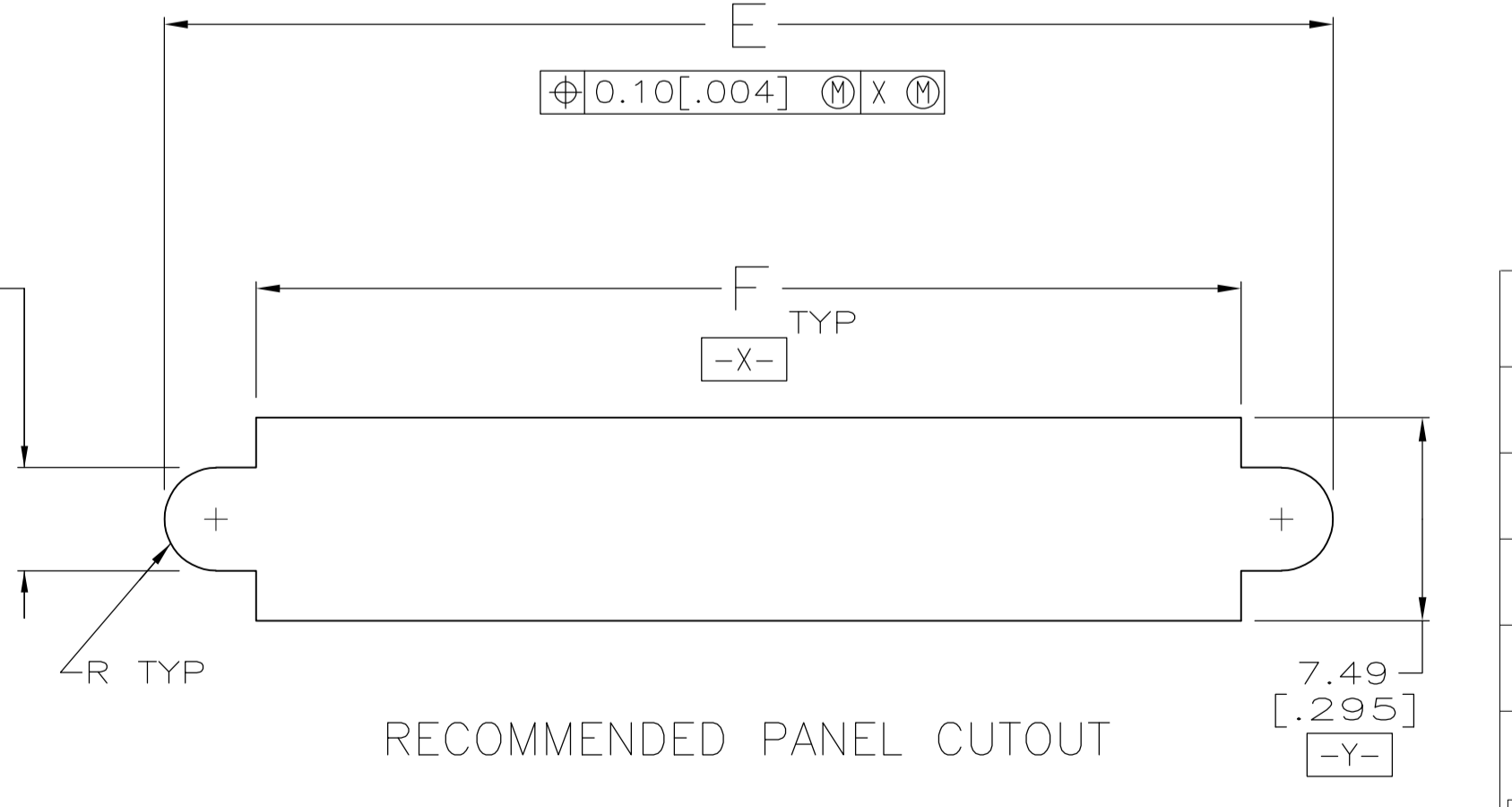
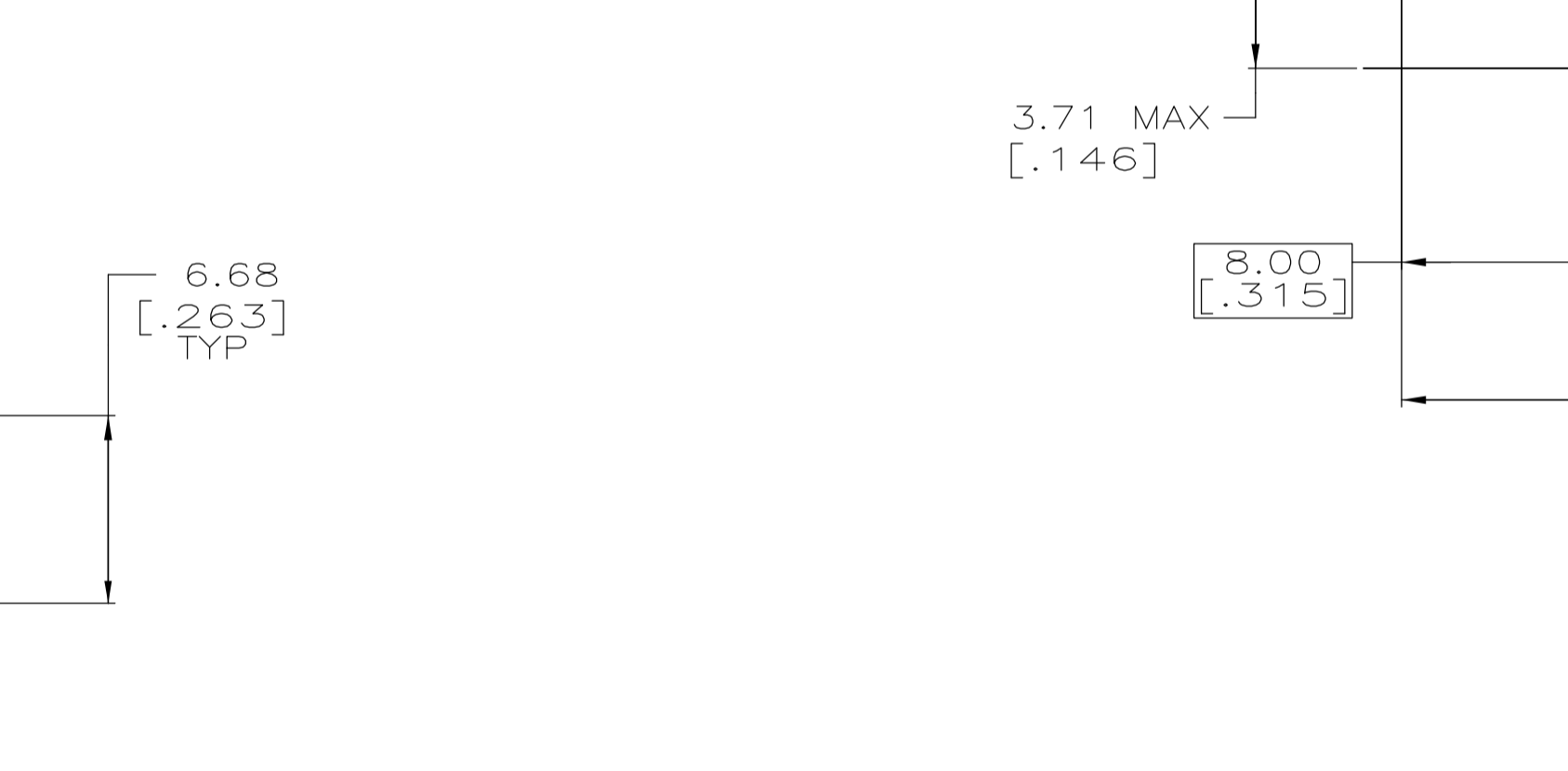
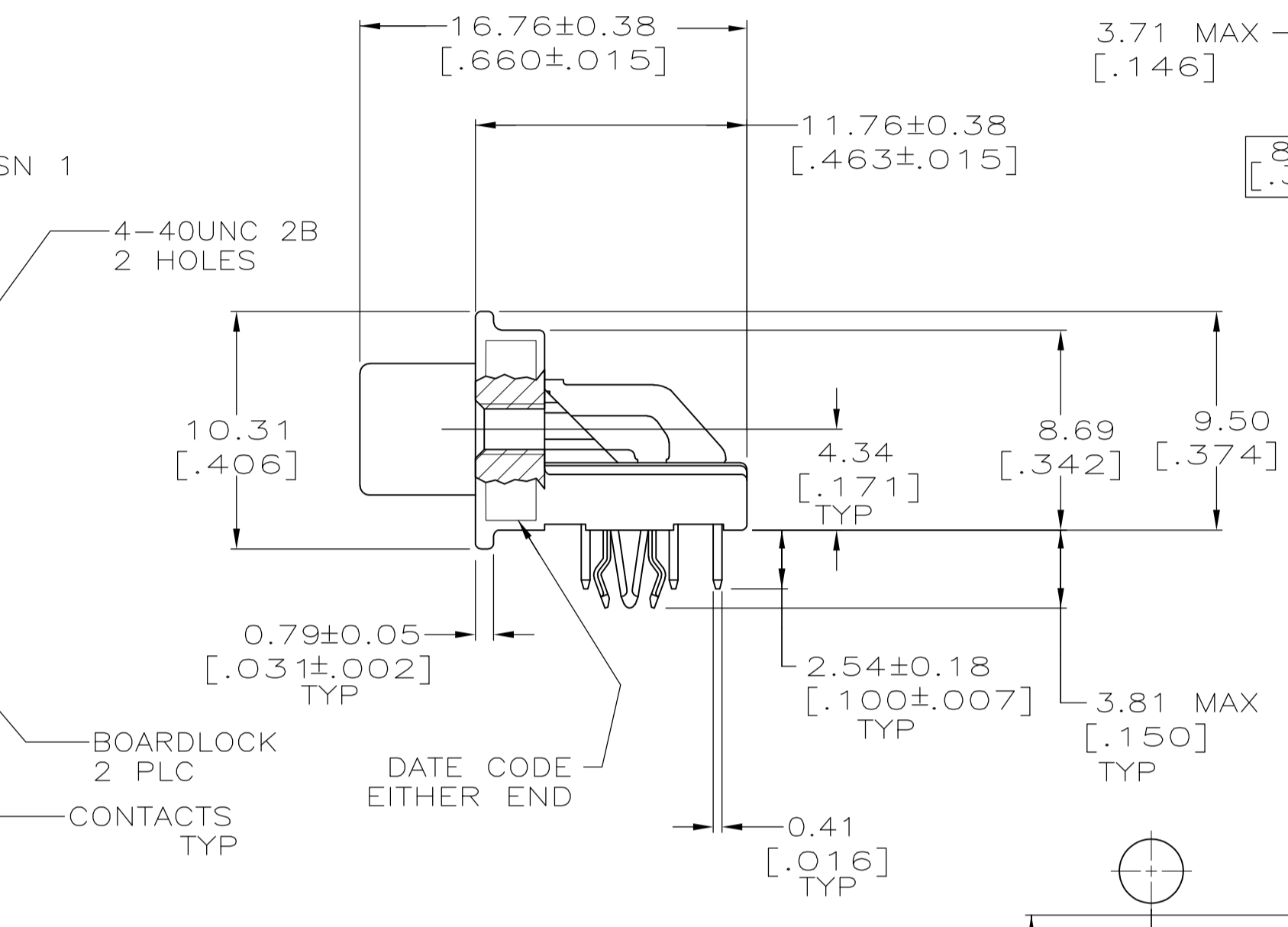
Email & Skype: info@chipsmall.com Web: www.chipsmall.com

Address: A1208, Overseas Decoration Building, #122 Zhenhua RD., Futian, Shenzhen, China

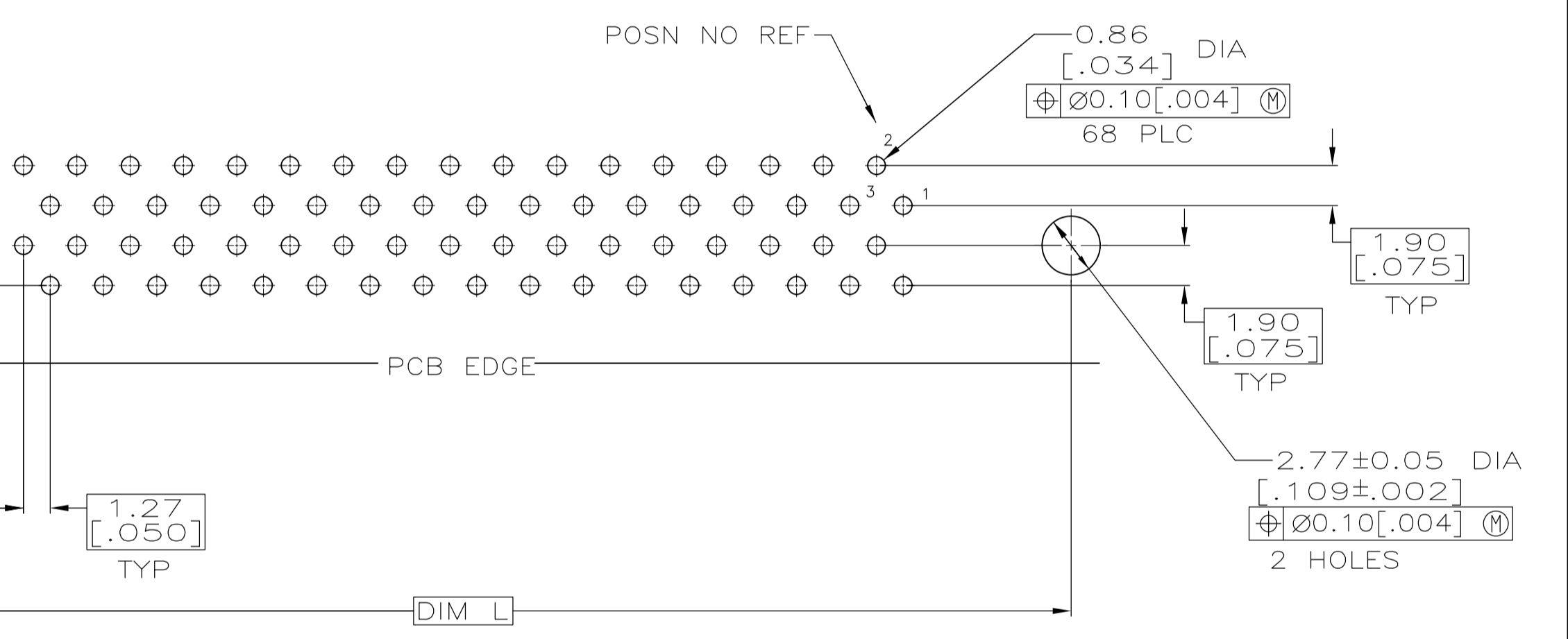




- MATERIAL**
CONTACTS: PHOSPHOR BRONZE
HOUSING & PIN SPACER: UL 94V-0 RATED, THERMOPLASTIC, BLACK
BRACKET: ZINC
SHELL: CARBON STEEL
BOARDLOCKS: COPPER ALLOY.
- FINISH**
CONTACTS: EITHER 0.76µm [.000030] MIN GOLD PLATE FOR A LENGTH OF 0.64 [.025] MAX, 0.13 [.005] MIN FROM MATING END OR GOLD FLASH OVER PALLADIUM NICKEL PLATE, 0.76µm [.000030] MIN TOTAL FOR A LENGTH OF 0.64 [.025] MAX, 0.13 [.005] MIN FROM MATING END. 3.81µm [.000150] MIN TIN-LEAD ON OPPOSITE END FOR A LENGTH OF 2.72 [.107] MIN, BOTH OVER 1.27µm [.000050] MIN NICKEL.
SHELL: 5.08µm [.000200] MIN NICKEL OVER 1.27µm [.000050] MIN COPPER.
BRACKET: 2.54µm [.000100] MIN NICKEL OVER 5.08µm [.000200] COPPER.
- 5** 5.08µm [.000200] MIN TIN-LEAD OVER 1.27µm [.000050] MIN NICKEL.
- 4** 3.00µm [.000118] MIN TIN OVER 1.27µm [.000050] MIN NICKEL.
- 5** OBSOLETE PARTS: OBSOLETE CIS STREAMLINING PER D.RENAUD/D.SINISI



P.C. BOARD MOUNTING DIMENSIONS
CONNECTOR SIDE
P.C. BOARD THICKNESS 1.57±0.20 [.062±.008]
PC BOARD PATTERN S



P.C. BOARD MOUNTING DIMENSIONS
CONNECTOR SIDE
P.C. BOARD THICKNESS 1.57±0.20 [.062±.008]
PC BOARD PATTERN T

| PC BOARD PATTERN | BOARDLOCK FINISH | L | G | F | E | D | B | A | NO OF POSN | PART NUMBER |
|------------------|------------------|---------------|-------------|---------------|---------------|---------------|---------------|---------------|------------|-------------|
| T | 4 | 57.91 [2.280] | 0.64 [.025] | 49.12 [1.934] | 61.72 [2.430] | 63.88 [2.515] | 46.13 [1.816] | 57.91 [2.280] | 68 | 1-787170-0 |
| T | 3 | 78.23 [3.080] | 0.64 [.025] | 69.44 [2.734] | 82.04 [3.230] | 84.20 [3.315] | 66.45 [2.616] | 78.23 [3.080] | 100 | 787170-9 |
| T | 3 | 57.91 [2.280] | 0.64 [.025] | 49.12 [1.934] | 61.72 [2.430] | 63.88 [2.515] | 46.13 [1.816] | 57.91 [2.280] | 68 | 787170-7 |
| S | 3 | - | 1.27 [.050] | 37.69 [1.484] | 50.29 [1.980] | 52.45 [2.065] | 34.70 [1.366] | 46.48 [1.830] | 50 | 787170-5 |
| T | 3 | 40.13 [1.580] | 0.64 [.025] | 36.78 [1.448] | 43.56 [1.715] | 46.10 [1.815] | 28.35 [1.116] | 40.13 [1.580] | 40 | 787170-4 |

THIS DRAWING IS A CONTROLLED DOCUMENT.

| | | | | |
|-------------------------|--|--------------------------|-----------------------|--------------------------|
| DIMENSIONS: mm [INCHES] | TOLERANCES UNLESS OTHERWISE SPECIFIED: | DIN B1 MCMASITER 26FEB04 | APVD S. SHUEY 26FEB04 | NAME M. WALMSLEY 26FEB04 |
| 0 PLC ± - | 1 PLC ± - | 2 PLC ± 0.13 [.005] | 3 PLC ± - | 4 PLC ± - |
| MATERIAL 1 | | FINISH 2 | | WEIGHT - |

STE TE Connectivity

RECEPTACLE ASSEMBLY, SHIELDED, RIGHT ANGLE, .050 SERIES, AMPLIMATE

108-1228

114-40029

00779C=787170

CUSTOMER DRAWING SCALE 4:1 SHEET 1 OF 1 REV V2