



Chipsmall Limited consists of a professional team with an average of over 10 year of expertise in the distribution of electronic components. Based in Hongkong, we have already established firm and mutual-benefit business relationships with customers from,Europe,America and south Asia,supplying obsolete and hard-to-find components to meet their specific needs.

With the principle of “Quality Parts,Customers Priority,Honest Operation,and Considerate Service”,our business mainly focus on the distribution of electronic components. Line cards we deal with include Microchip,ALPS,ROHM,Xilinx,Pulse,ON,Everlight and Freescale. Main products comprise IC,Modules,Potentiometer,IC Socket,Relay,Connector.Our parts cover such applications as commercial,industrial, and automotives areas.

We are looking forward to setting up business relationship with you and hope to provide you with the best service and solution. Let us make a better world for our industry!



Contact us

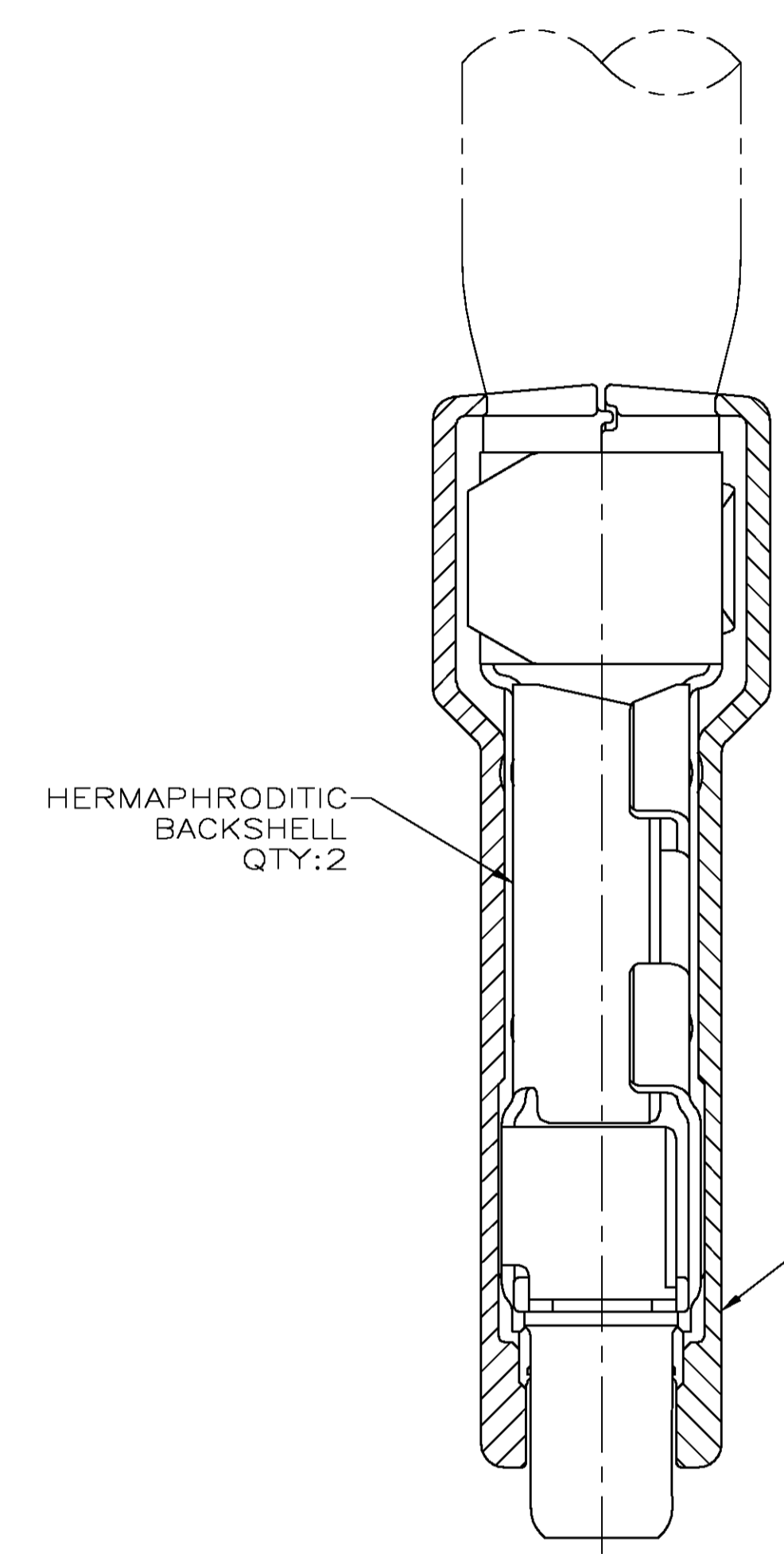
Tel: +86-755-8981 8866 Fax: +86-755-8427 6832

Email & Skype: info@chipsmall.com Web: www.chipsmall.com

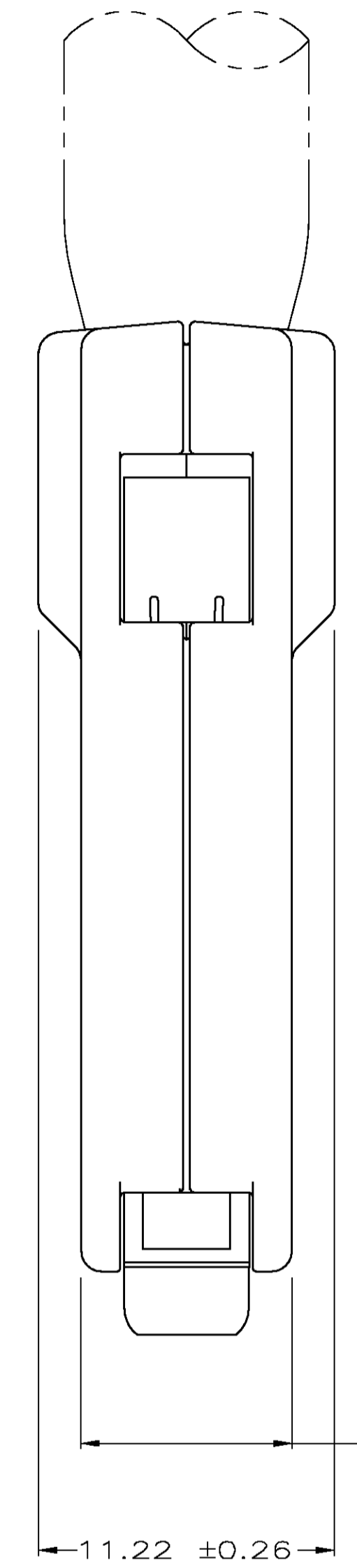
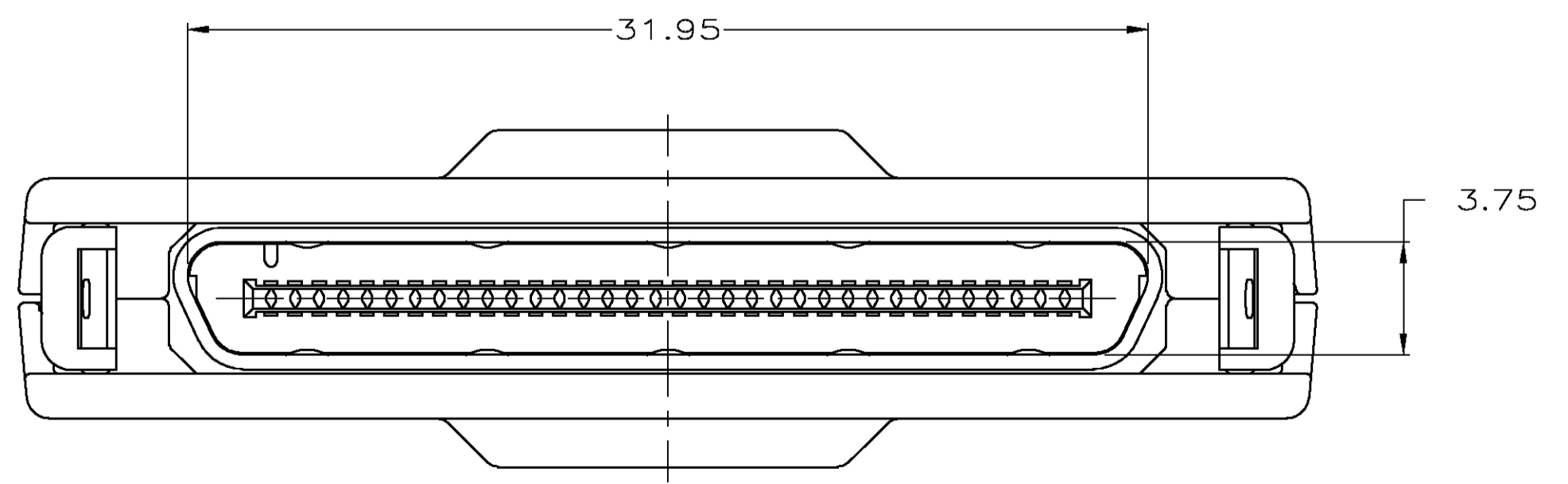
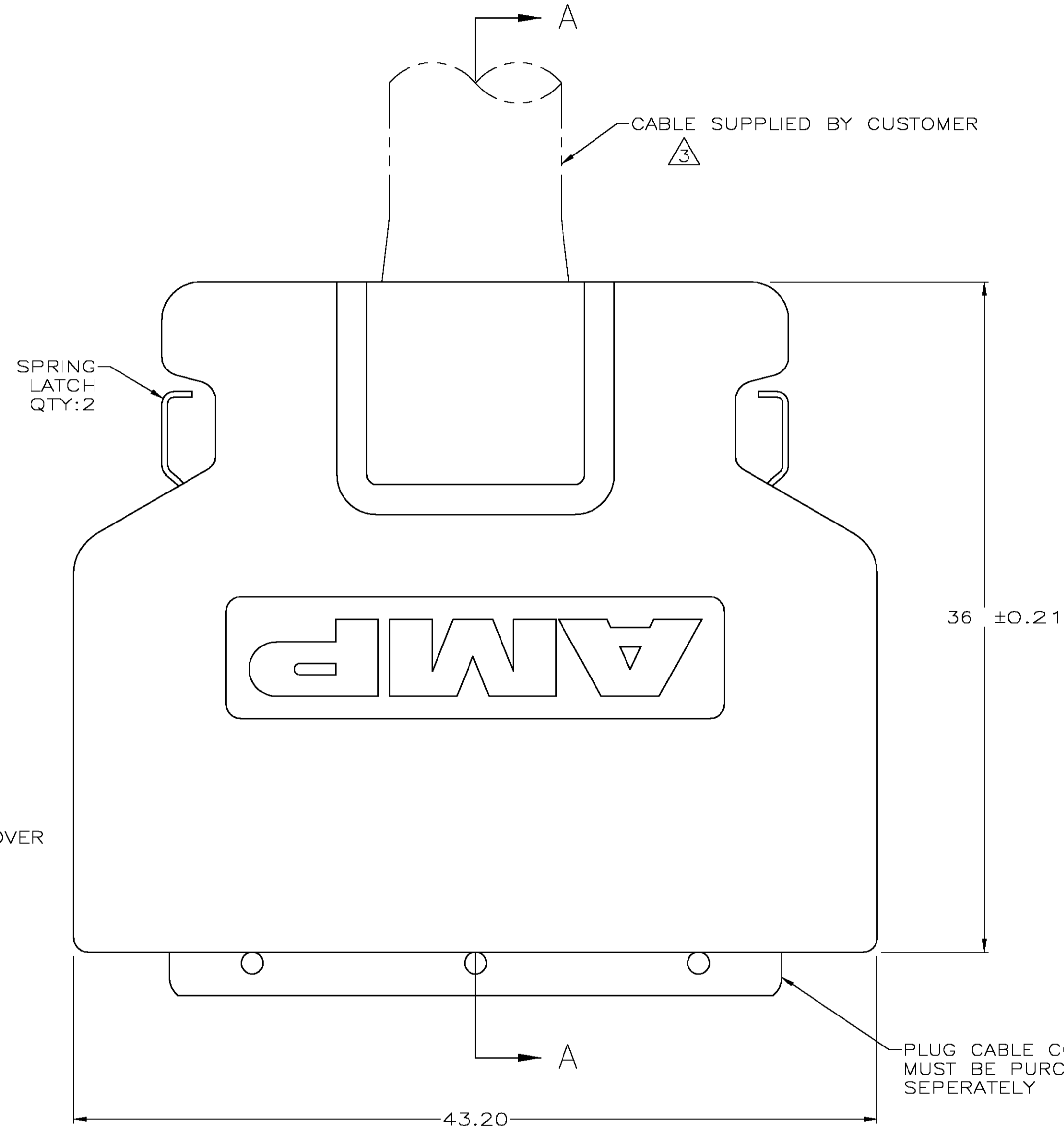
Address: A1208, Overseas Decoration Building, #122 Zhenhua RD., Futian, Shenzhen, China



LOC		DIST		REVISIONS			
P	LTR	DESCRIPTION	DATE	DWN	APVD		
C		REDRAWN PER EC 0513-0148-04		DBMAR05	TS	JG	



SECTION A-A



- ⚠ MATERIAL:
 HERMAPHRODITIC BACKSHELL- STEEL.
 SPRING LATCH- STAINLESS STEEL.
 HERMAPHRODITIC SPRING LATCH COVER- UL 94V-0 RATED
 ABS MOLDING COMPOUND, COLOR-BLACK.
- ⚠ PLATING:
 HERMAPHRODITIC BACKSHELL- 5µm MIN BRIGHT NICKEL OVER
 2.5µm MIN COPPER.
- ⚠ RECOMMENDED WIRE: 30 AWG WITH A 0.56-0.64 INSULATION DIAMETER,
 WIRE MUST BE APPROVED BY AMP ENGINEERING.

OBSELETE	INDIVIDUAL KIT	787229-2
	BULK, 100 KITS	787229-1
	PACKAGING	PART NUMBER

THIS DRAWING IS A CONTROLLED DOCUMENT.		DIN T. SHUEY	DBMAR05	Tyco Electronics Corporation Harrisburg, Pa 17105-3608
DIMENSIONS: mm		CHK J. GERACE	DBMAR05	
TOLERANCES UNLESS OTHERWISE SPECIFIED:		APVD W. WALMSLEY	DBMAR05	NAME: BACKSHELL KIT, SQUEEZE TO RELEASE, 68 POSITION, CABLE CONNECTOR, 0.8mm, CHAMP
0 PLC ± -	1 PLC ± -	2 PLC ± 0.13	3 PLC ± -	PRODUCT SPEC: 108-1471
4 PLC ± -	ANGLES ± -	FINISH		APPLICATION SPEC: -
MATERIAL	FINISH	SIZE	CAGE CODE	DRAWING NO
		WEIGHT	A1	00779
CUSTOMER DRAWING		SCALE	5:1	SHEET 1 OF 1
				REV C