



Chipsmall Limited consists of a professional team with an average of over 10 year of expertise in the distribution of electronic components. Based in Hongkong, we have already established firm and mutual-benefit business relationships with customers from,Europe,America and south Asia,supplying obsolete and hard-to-find components to meet their specific needs.

With the principle of “Quality Parts,Customers Priority,Honest Operation,and Considerate Service”,our business mainly focus on the distribution of electronic components. Line cards we deal with include Microchip,ALPS,ROHM,Xilinx,Pulse,ON,Everlight and Freescale. Main products comprise IC,Modules,Potentiometer,IC Socket,Relay,Connector.Our parts cover such applications as commercial,industrial, and automotives areas.

We are looking forward to setting up business relationship with you and hope to provide you with the best service and solution. Let us make a better world for our industry!



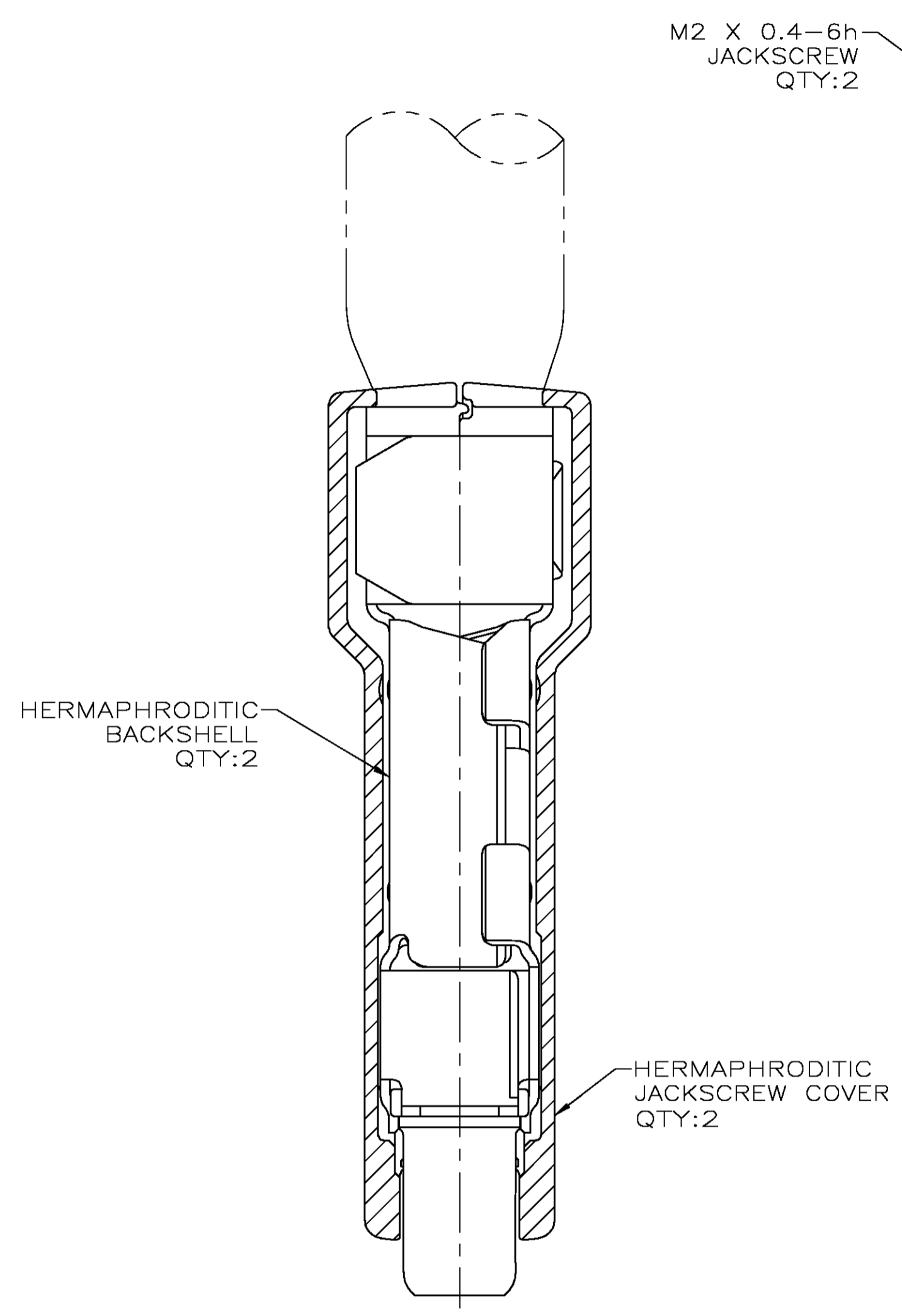
Contact us

Tel: +86-755-8981 8866 Fax: +86-755-8427 6832

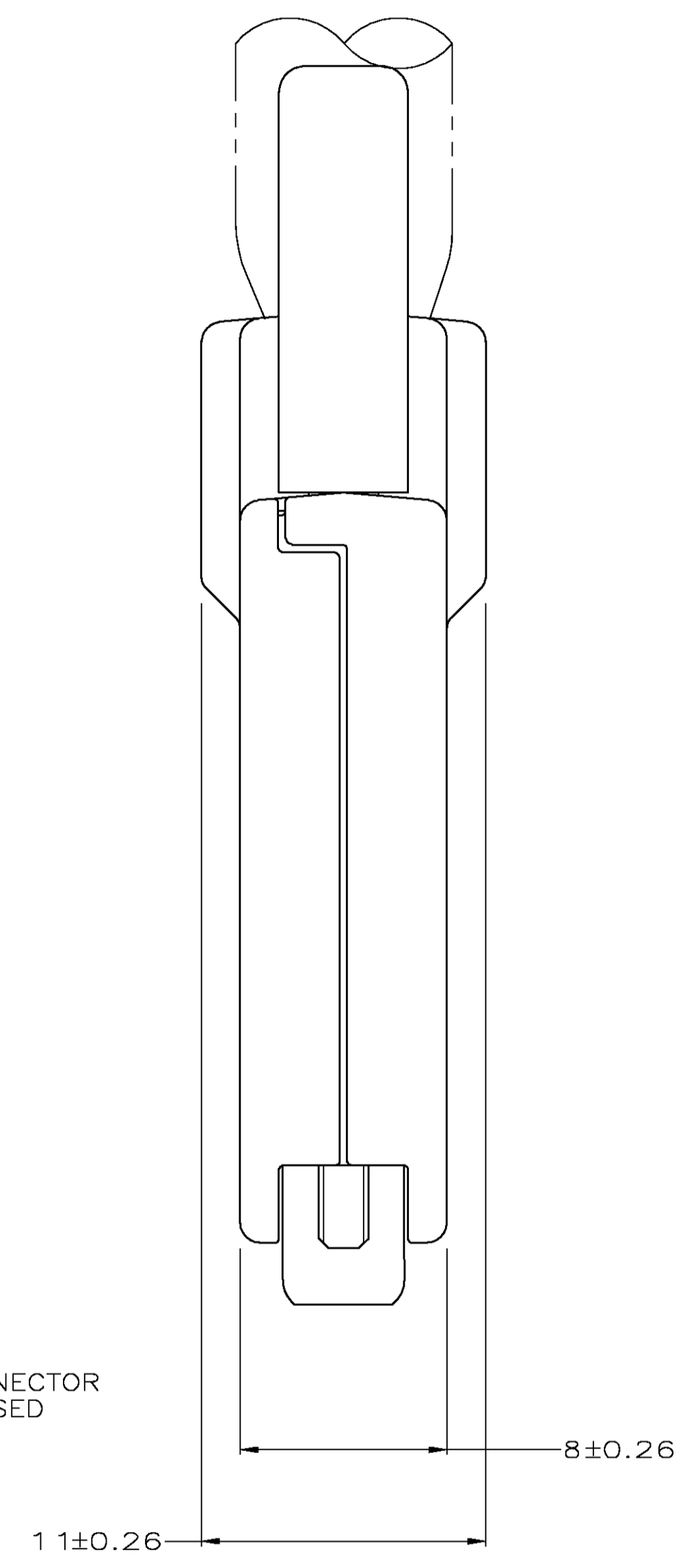
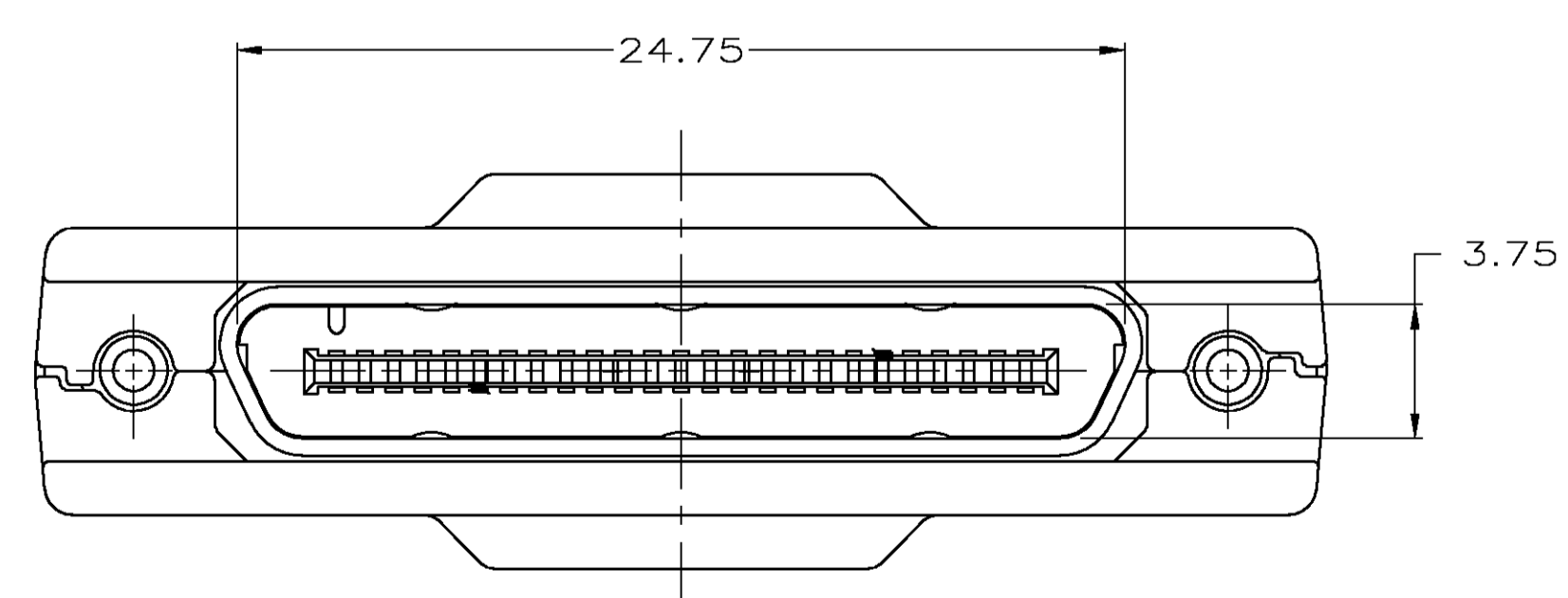
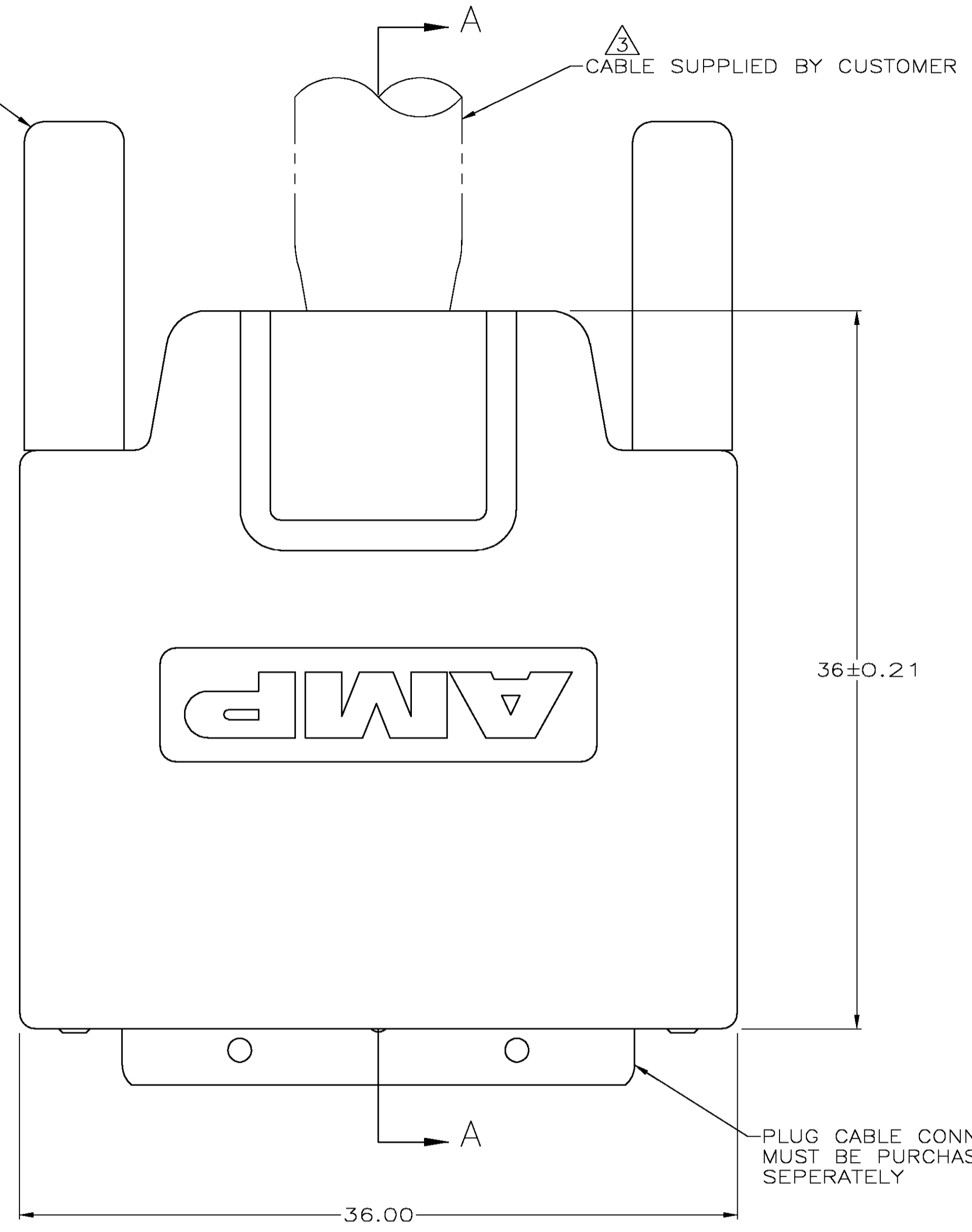
Email & Skype: info@chipsmall.com Web: www.chipsmall.com

Address: A1208, Overseas Decoration Building, #122 Zhenhua RD., Futian, Shenzhen, China





SECTION A-A



- △ MATERIAL:
 HERMAPHRODITIC BACKSHELL- STEEL.
 JACKSCREW - STEEL.
 JACKSCREW HEAD - ABS MOLDING COMPOUND, COLOR-BLACK.
 HERMAPHRODITIC JACKSCREW COVER- UL 94V-0 RATED
 ABS MOLDING COMPOUND, COLOR-BLACK.
- △ PLATING:
 HERMAPHRODITIC BACKSHELL- 5µm MIN BRIGHT NICKEL OVER
 2.5µm MIN COPPER.
 JACKSCREW - BLUE CHROMATE OVER ZINC.
- △ RECOMMENDED WIRE: 30 AWG WITH A 0.56-0.64 INSULATION DIAMETER,
 WIRE MUST BE APPROVED BY AMP ENGINEERING.

OBSOLETE	INDIVIDUAL KIT	787233-2
	BULK, 100 KITS	787233-1
	PACKAGING	PART NO

THIS DRAWING IS A CONTROLLED DOCUMENT.		DIN T. SHUEY	OBMAROS	 Tyco Electronics Corporation Harrisburg, Pa 17105-3608
DIMENSIONS: mm		CHK J. GERACE	OBMAROS	
TOLERANCES UNLESS OTHERWISE SPECIFIED:		APVD W. WALMSLEY	OBMAROS	NAME BACKSHELL KIT, JACKSCREW, 50 POSITION, CABLE CONNECTOR, 0.8mm, CHAMP
0 PLC ± -	1 PLC ± -	PRODUCT SPEC 108-1471		SIZE A1
2 PLC ± 0.13	3 PLC ± -	APPLICATION SPEC		SCALE 5:1
4 PLC ± -	ANGLES ± -	WEIGHT		SHEET 1 OF 1
MATERIAL	FINISH	CUSTOMER DRAWING	DRAWING NO 00779	REV C
			787233	