



Chipsmall Limited consists of a professional team with an average of over 10 year of expertise in the distribution of electronic components. Based in Hongkong, we have already established firm and mutual-benefit business relationships with customers from,Europe,America and south Asia,supplying obsolete and hard-to-find components to meet their specific needs.

With the principle of "Quality Parts,Customers Priority,Honest Operation,and Considerate Service",our business mainly focus on the distribution of electronic components. Line cards we deal with include Microchip,ALPS,ROHM,Xilinx,Pulse,ON,Everlight and Freescale. Main products comprise IC,Modules,Potentiometer,IC Socket,Relay,Connector.Our parts cover such applications as commercial,industrial, and automotives areas.

We are looking forward to setting up business relationship with you and hope to provide you with the best service and solution. Let us make a better world for our industry!



Contact us

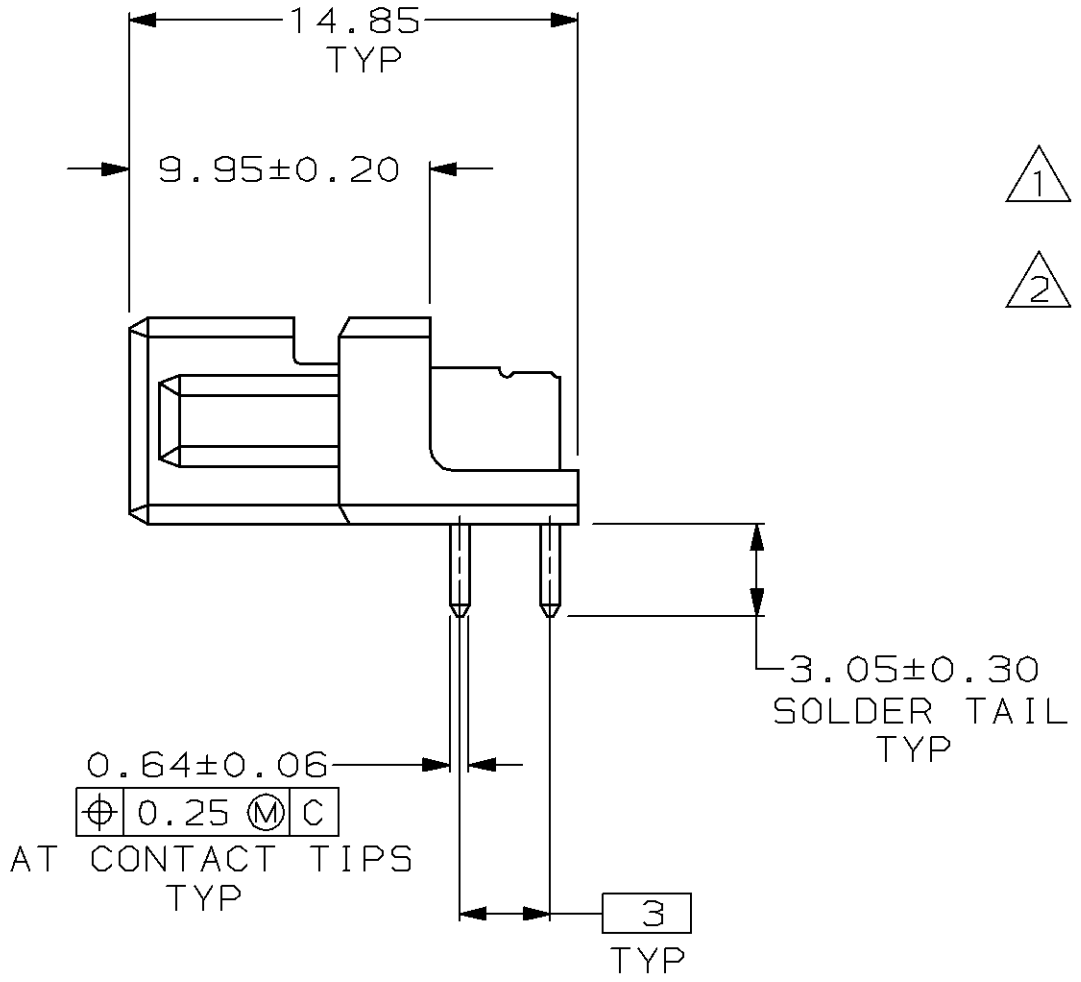
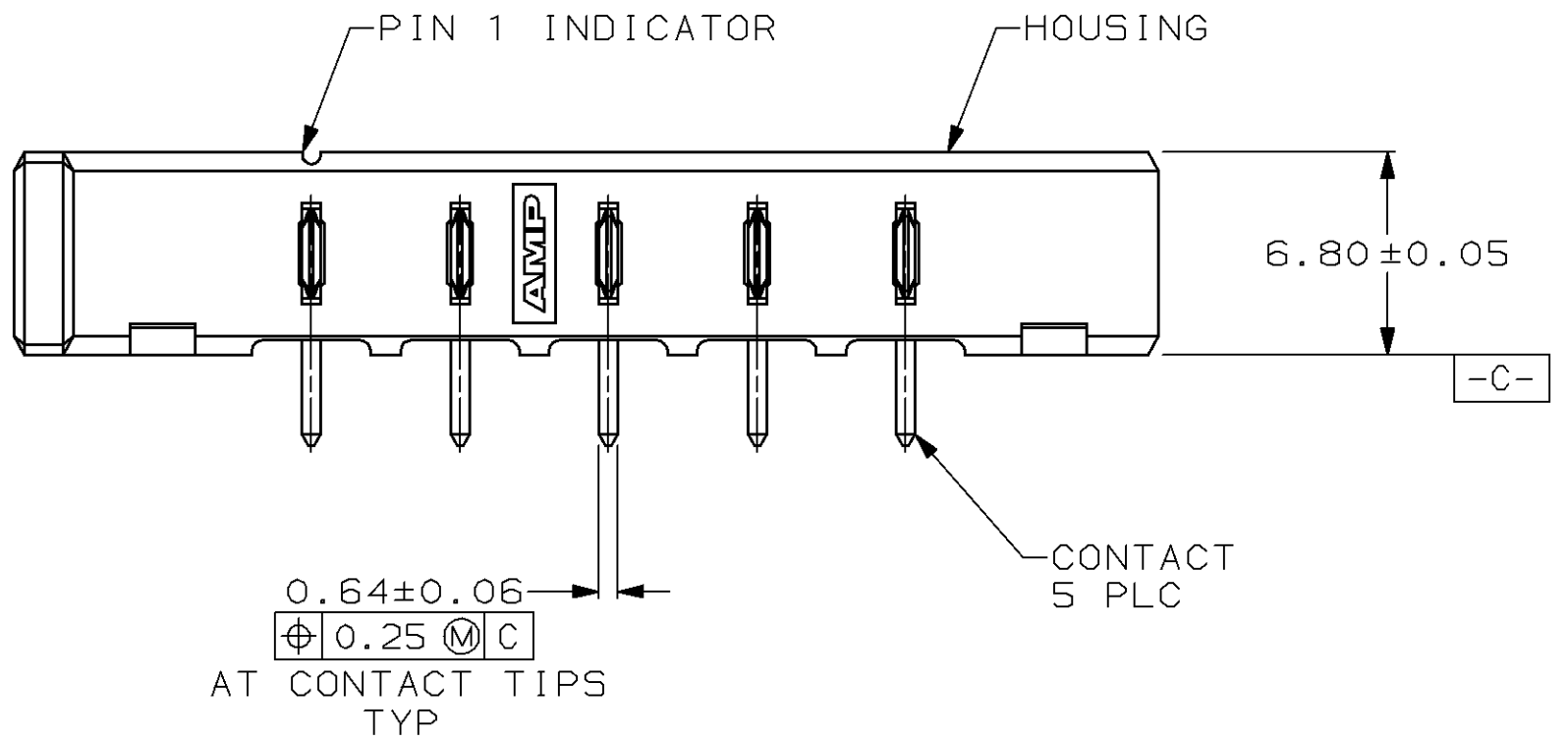
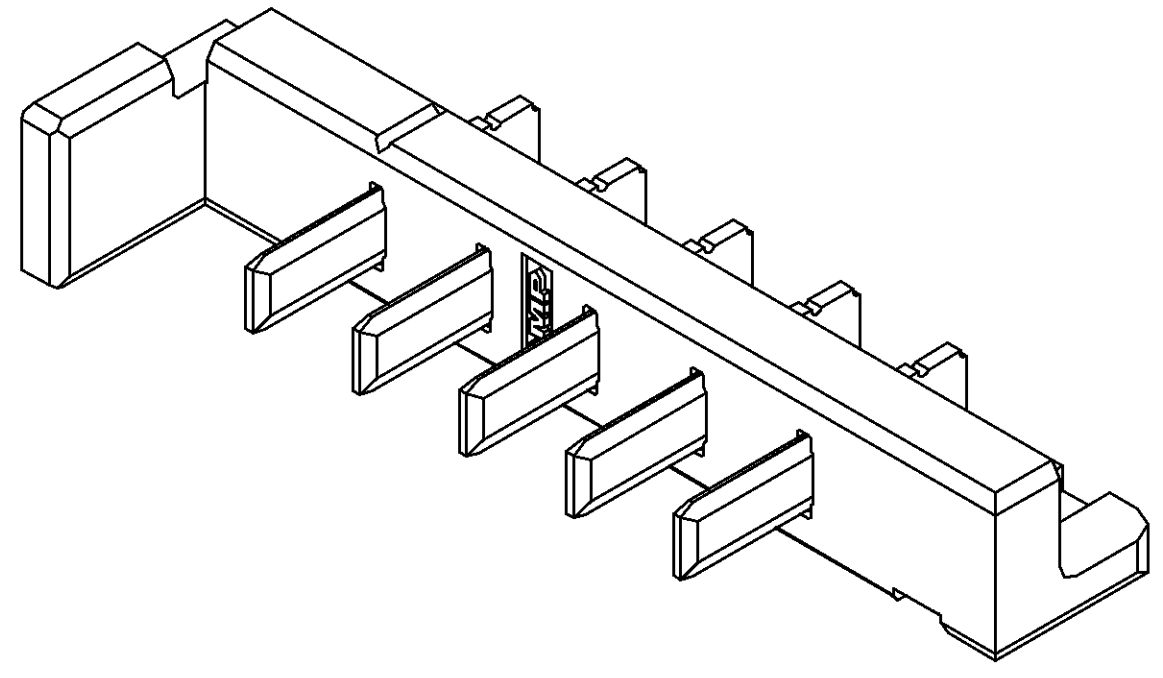
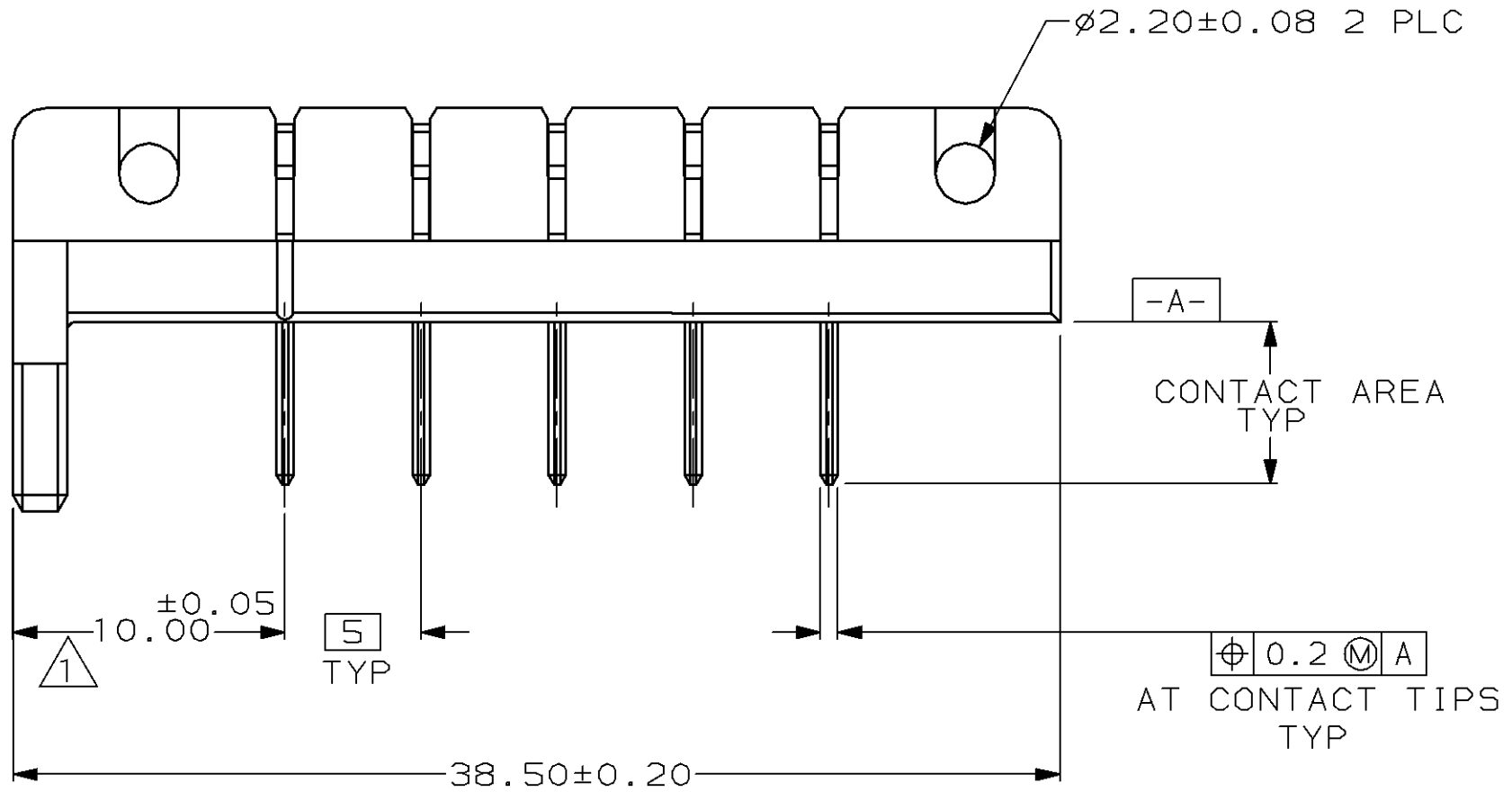
Tel: +86-755-8981 8866 Fax: +86-755-8427 6832

Email & Skype: info@chipsmall.com Web: www.chipsmall.com

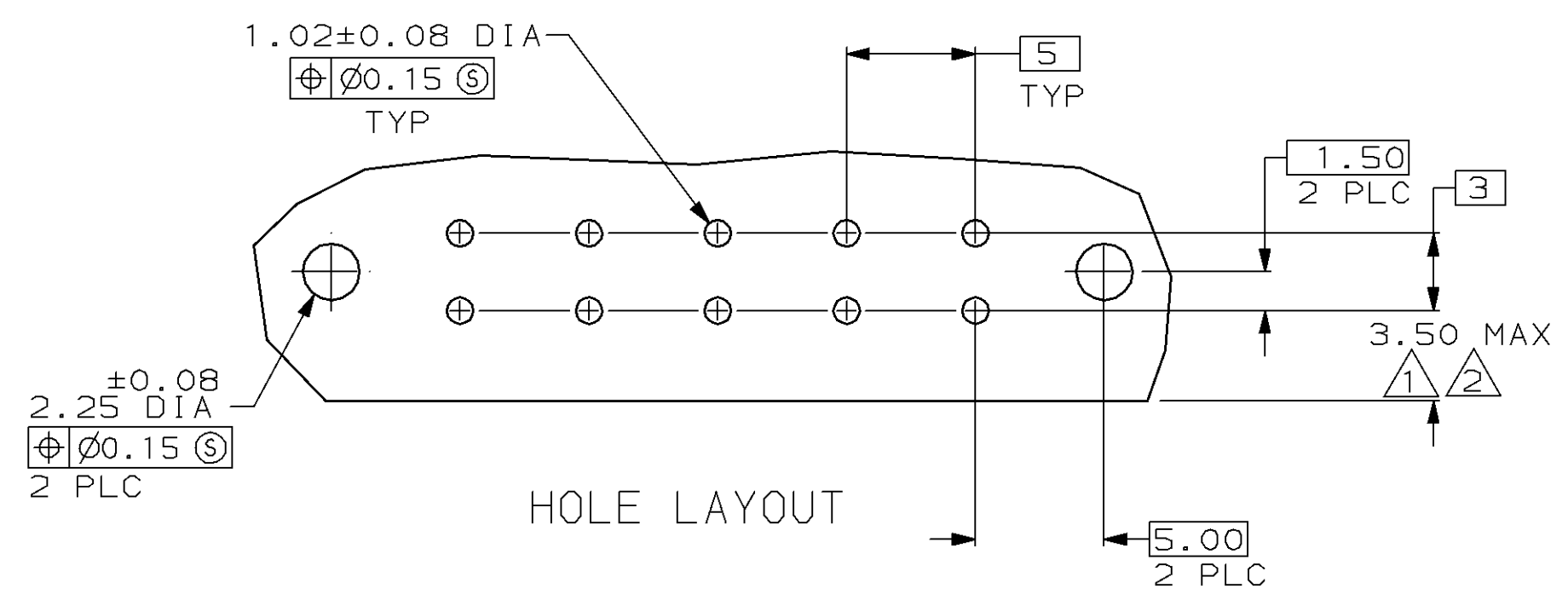
Address: A1208, Overseas Decoration Building, #122 Zhenhua RD., Futian, Shenzhen, China



LOC	DIST	P	F	ZONE	LTR	DESCRIPTION	DATE	APPD
AD	39							
					0	RLSE PER NPR 5135, WAS 94-1878-66-1	07/05/94	RSK
					A	REV PER EC 0020-982-94	09/12/94	RSK
					B	REV PER EC 0020-1339-94	12/08/94	RK
					C	REV PER EC 0020-0657-96	12/06/96	RK



1 COORDINATE DIMENSION APPLIES FROM CENTER OF ACTUAL FEATURE.
 2 DIMENSION CAN BE EXCEEDED FOR APPLICATIONS WHERE FINAL MATED POSITION OF PACK IS ABOVE TOP SURFACE OF PCB.



DO NOT SCALE PRINT. UNLESS SPECIFIED DIMENSIONS IN mm TOLERANCES ON: 2 PLC DEC ± 0.10 3 PLC DEC $\pm -$ ANGLES $\pm -$		DR 06-07-94 G.DOUTY	787246-1 PART NO	
MATERIAL HOUSING: LCP COLOR: BLACK CONTACTS: BRASS	APPD 06-30-94 S.KLINE	APPD 06-30-94 S.KLINE	AMP AMP Incorporated Harrisburg, PA 17105-3608	
FINISH CONTACTS: 2.54 μ m MIN TIN-LEAD ON SOLDER TAIL OVER 1.90 μ m MIN NICKEL ALL OVER.	APPD 06-30-94 S.KLINE	PRODUCT SPEC -	NAME HEADER ASSEMBLY, RIGHT ANGLE, LEFT VOLTAGE KEY, 10.8V, BATTERY INTERCONNECTS	
WEIGHT -	APPLICATION SPEC -	SIZE C	CAGE CODE 00779	DRAWING NO G=787246
		SCALE 4:1		SHEET 1 OF 1