



Chipsmall Limited consists of a professional team with an average of over 10 year of expertise in the distribution of electronic components. Based in Hongkong, we have already established firm and mutual-benefit business relationships with customers from,Europe,America and south Asia,supplying obsolete and hard-to-find components to meet their specific needs.

With the principle of “Quality Parts,Customers Priority,Honest Operation,and Considerate Service”,our business mainly focus on the distribution of electronic components. Line cards we deal with include Microchip,ALPS,ROHM,Xilinx,Pulse,ON,Everlight and Freescale. Main products comprise IC,Modules,Potentiometer,IC Socket,Relay,Connector.Our parts cover such applications as commercial,industrial, and automotives areas.

We are looking forward to setting up business relationship with you and hope to provide you with the best service and solution. Let us make a better world for our industry!



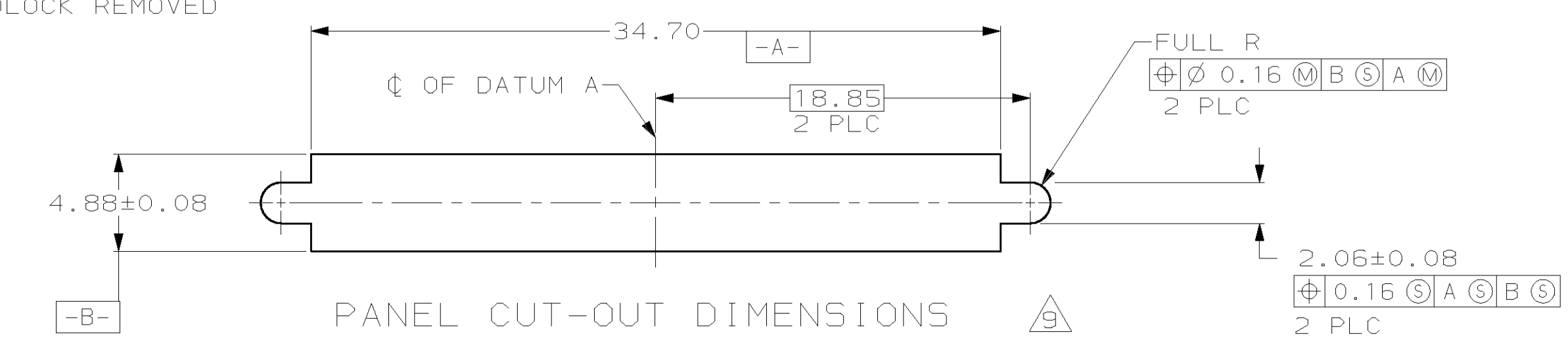
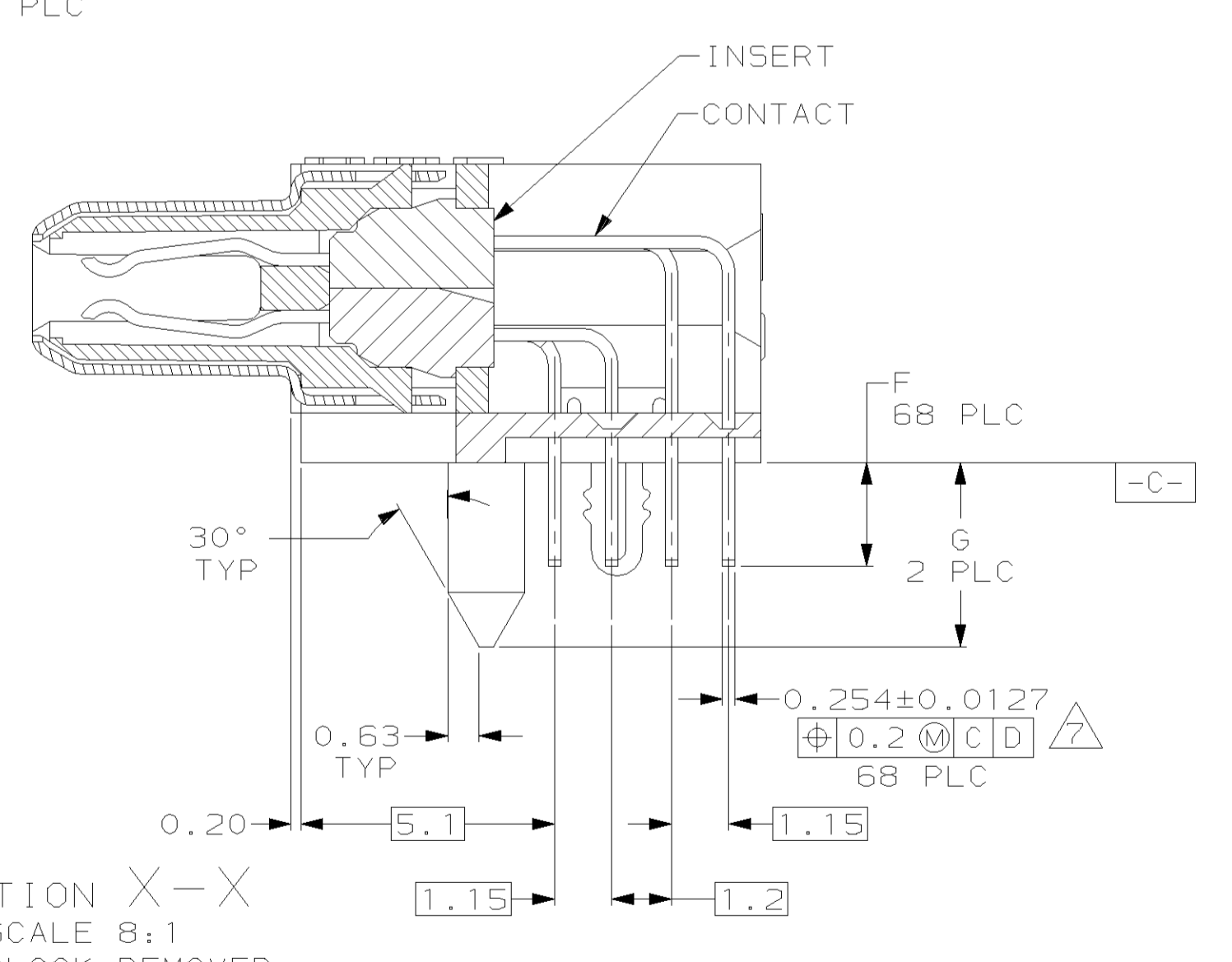
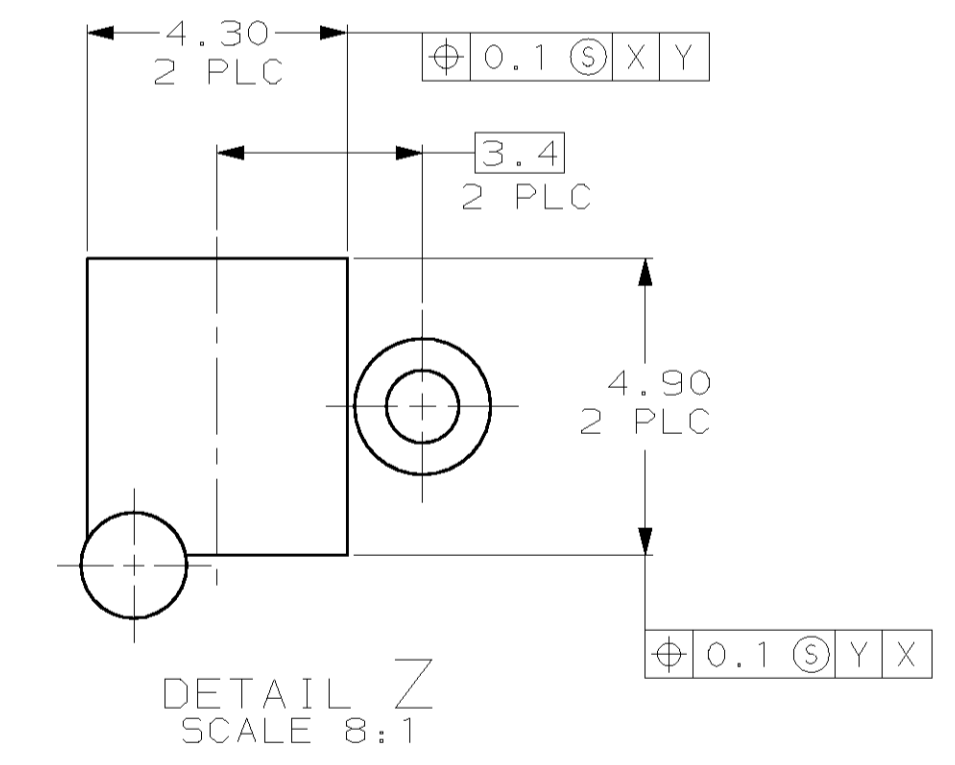
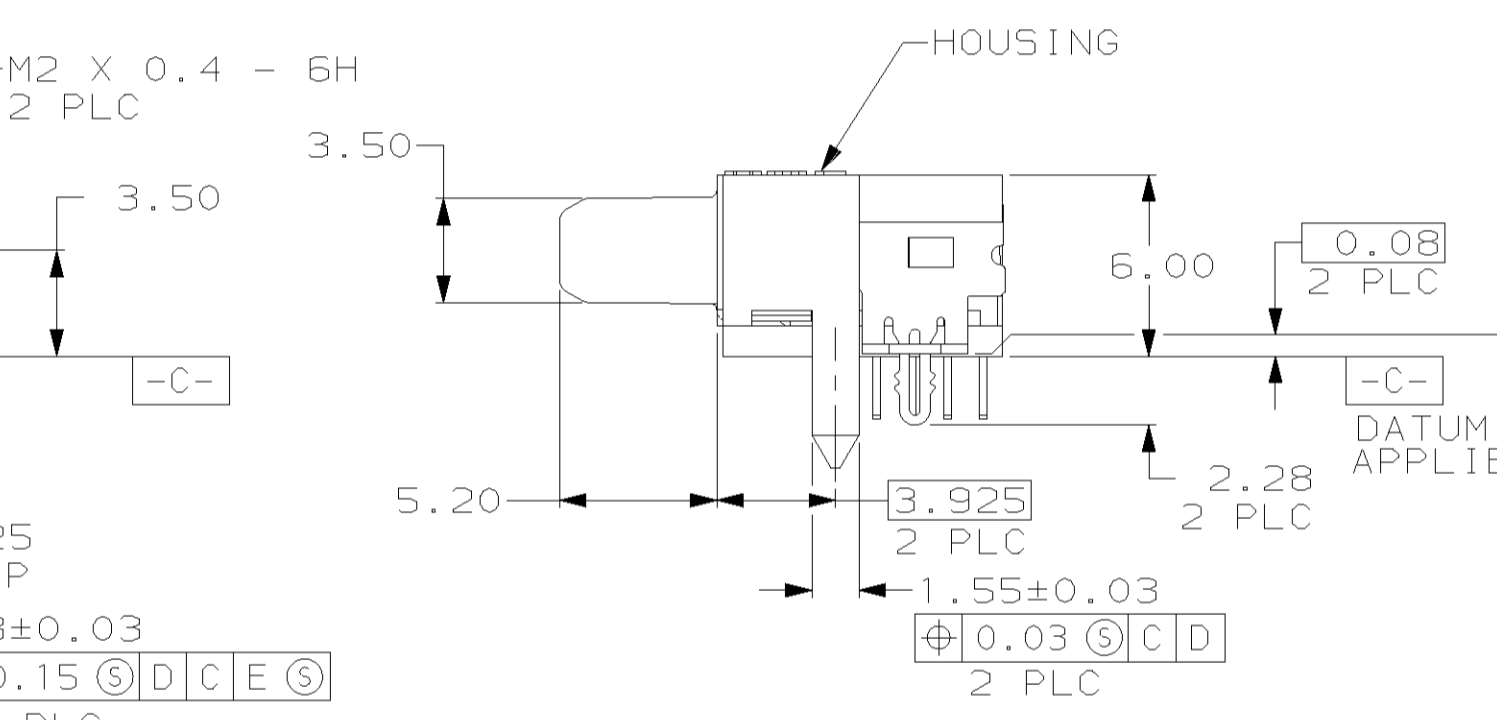
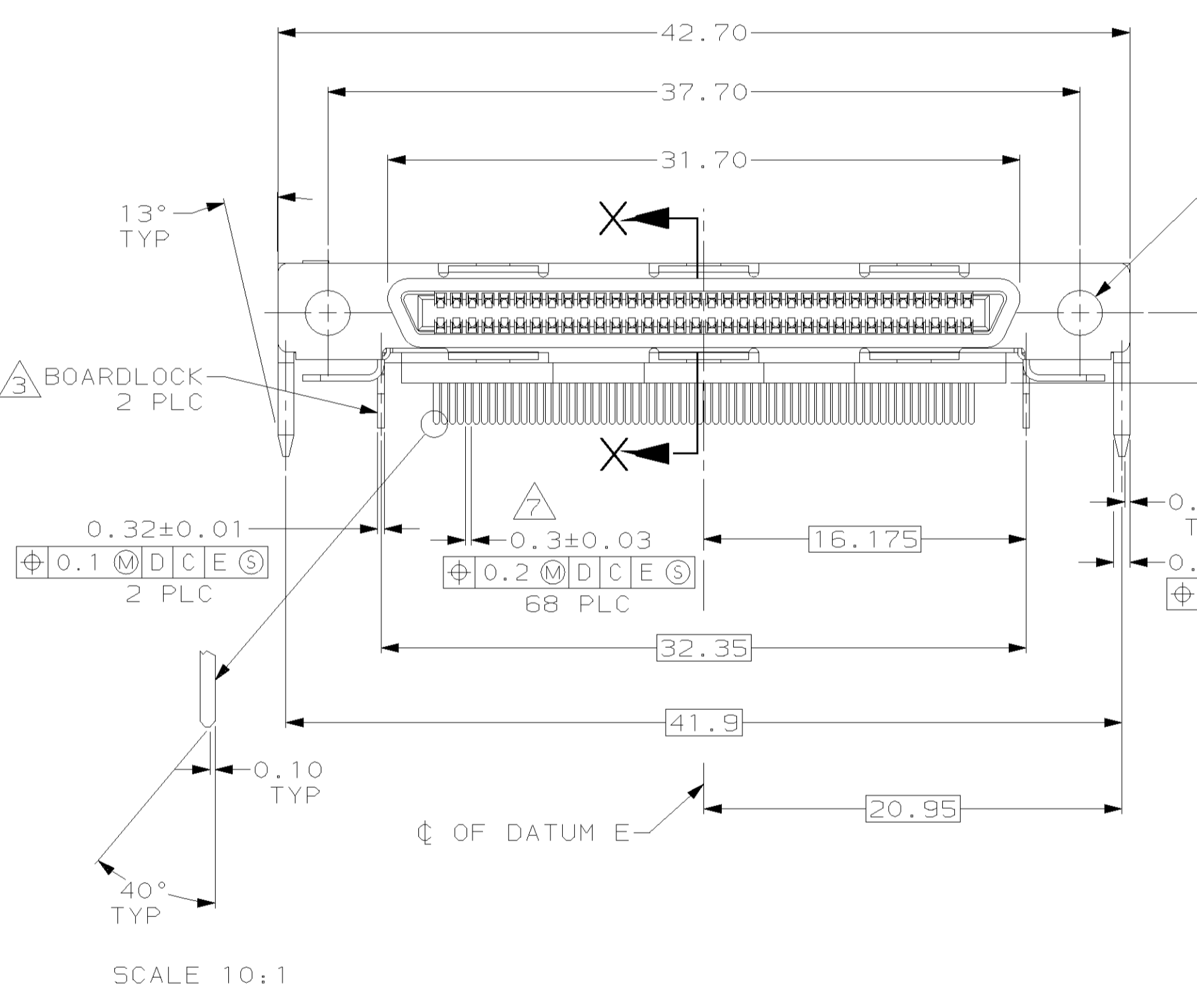
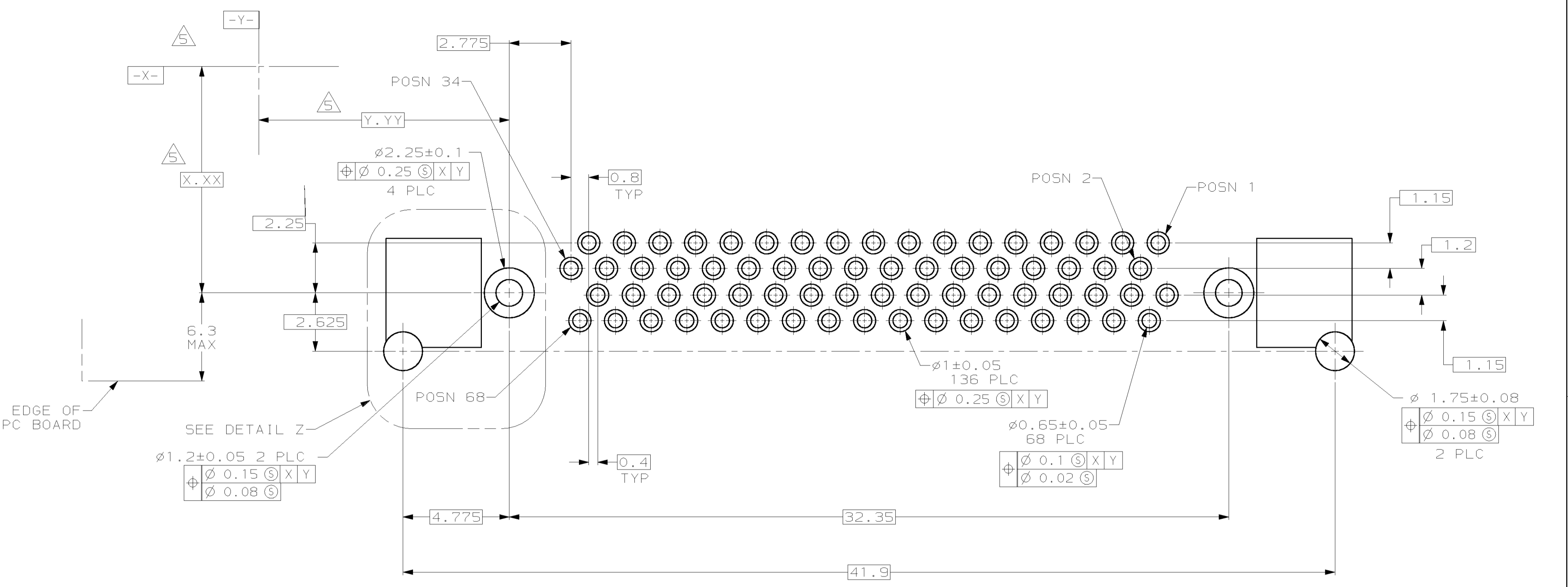
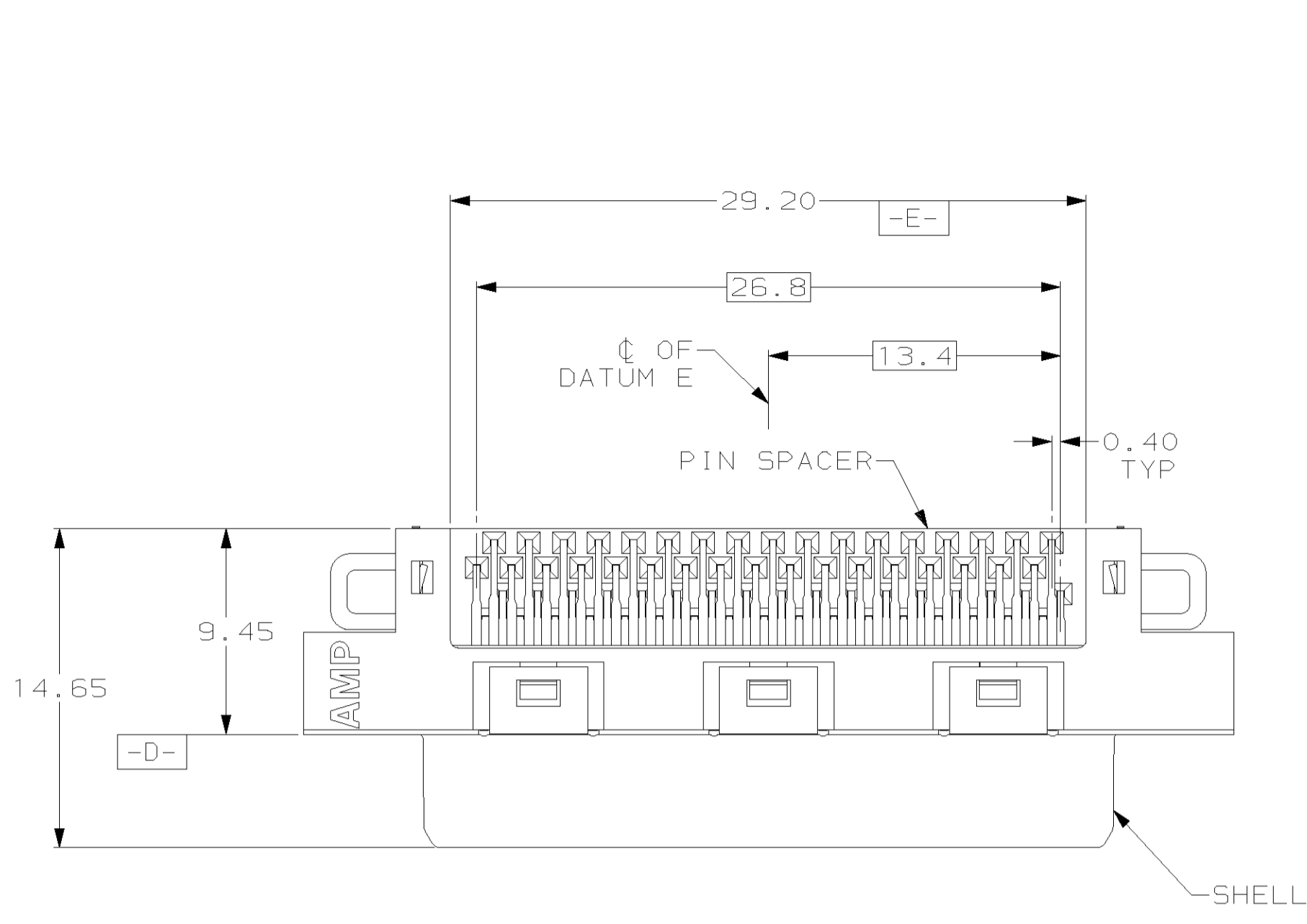
## Contact us

Tel: +86-755-8981 8866 Fax: +86-755-8427 6832

Email & Skype: info@chipsmall.com Web: www.chipsmall.com

Address: A1208, Overseas Decoration Building, #122 Zhenhua RD., Futian, Shenzhen, China





- 1 HOUSING & PIN SPACER: BLACK, THERMOPLASTIC, UL 94V-0 RATED, SUITABLE FOR IR AND VAPOR PHASE REFLOW SOLDERING. INSERT: NATURAL, THERMOPLASTIC, UL 94V-0 RATED, SUITABLE FOR IR AND VAPOR PHASE REFLOW SOLDERING. SHELL: STEEL. CONTACTS: PHOSPHOR BRONZE. BOARDLOCKS: BRASS.
- 2 SHELL: 5µm MIN NICKEL OVER 2.5µm MIN COPPER. CONTACTS: 0.076µm MIN GOLD OVER 0.76µm MIN PALLADIUM NICKEL ON MATING END, 3.75µm MIN BRIGHT TIN-LEAD ON OPPOSITE END, BOTH OVER 1.27µm MIN NICKEL. BOARDLOCKS: 3.75µm MIN BRIGHT TIN-LEAD OVER 1.27µm MIN NICKEL.
- 3 BOARDLOCK DESIGNED FOR USE ON 1.60 ± 0.15 THICK PC BOARD WITH PLATED THRU MOUNTING HOLES.
- 4 RECEPTACLE ASSEMBLY DESIGNED FOR USE WITH 1.12 ± 0.08 THICK PANEL.
- 5 DATUMS AND DIMENSION ESTABLISHED BY CUSTOMER.
- 6 CONNECTOR MUST BE SECURELY MOUNTED TO PC BOARD WITH TWO BOARDLOCKS PRIOR TO REFLOW SOLDERING.
- 7 POSITION TOLERANCE APPLIES AT CONTACT TIP ONLY.
- 8 PRELIMINARY - NOT RELEASED FOR PRODUCTION.
- 9 SHELL: 5µm MIN NICKEL OVER 2.5µm MIN COPPER. CONTACTS: 0.076µm MIN GOLD OVER 0.76µm MIN PALLADIUM NICKEL ON MATING END, 3.75µm MIN BRIGHT TIN-LEAD ON OPPOSITE END, BOTH OVER 1.27µm MIN NICKEL. BOARDLOCKS: 3.75µm MIN BRIGHT TIN OVER 1.27µm MIN NICKEL.

1	3.70	2.08	787254-4
2	2.75	2.08	787254-3
3	3.70	3.55	787254-2
4	3.70	2.08	787254-1
FINISH	G	F	PART NO

THIS DRAWING IS UNPUBLISHED. RELEASED FOR PUBLICATION. IF IT IS SUBJECT TO CHANGE AND THE CONTROLLING ENGINEER'S SIGNATURE SHOULD BE CONTROLLED FOR THE LATEST REVISION.		DATE: 06/02/94 CHK: LLSIPE 2-13-95 DATE: 2-13-95 CHK: T.SPANGLER DATE: 2-13-95 CHK: T.SPANGLER	AMP Incorporated Harrisburg, PA 17105-3608
DIMENSIONS: mm 0 PLC ±.4 1 PLC ±.3 2 PLC ±.25 3 PLC ±.2 4 PLC ±.15 ANGLES ±.1°	TOLERANCES UNLESS OTHERWISE SPECIFIED: 0 PLC ±.4 1 PLC ±.3 2 PLC ±.25 3 PLC ±.2 4 PLC ±.15 ANGLES ±.1°	PRODUCT SPEC: 108-1471 APPLICATION SPEC:	RECEPTACLE ASSEMBLY, SHIELDED, RIGHT ANGLE, 68 POSITION, HIGH PROFILE, THRU-HOLE LEADS, 0.8mm, CHAMP
MATERIAL: SEE TABLE	FINISH: SEE TABLE	WEIGHT: -	SIZE: A1 CASE CODE: 00779 DRAWING NO: C=787254 CUSTOMER DRAWING SCALE: 4:1 SHEET: 11 REV: J