



Chipsmall Limited consists of a professional team with an average of over 10 year of expertise in the distribution of electronic components. Based in Hongkong, we have already established firm and mutual-benefit business relationships with customers from,Europe,America and south Asia,supplying obsolete and hard-to-find components to meet their specific needs.

With the principle of "Quality Parts,Customers Priority,Honest Operation,and Considerate Service",our business mainly focus on the distribution of electronic components. Line cards we deal with include Microchip,ALPS,ROHM,Xilinx,Pulse,ON,Everlight and Freescale. Main products comprise IC,Modules,Potentiometer,IC Socket,Relay,Connector.Our parts cover such applications as commercial,industrial, and automotives areas.

We are looking forward to setting up business relationship with you and hope to provide you with the best service and solution. Let us make a better world for our industry!



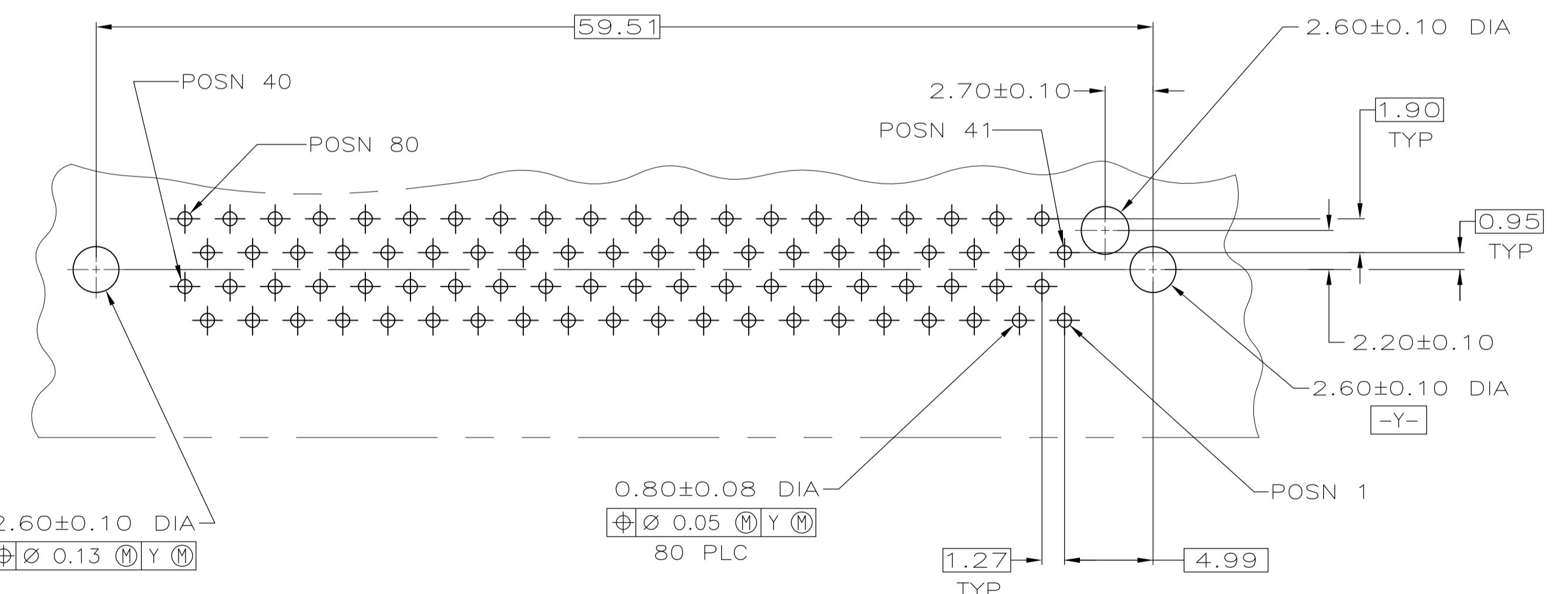
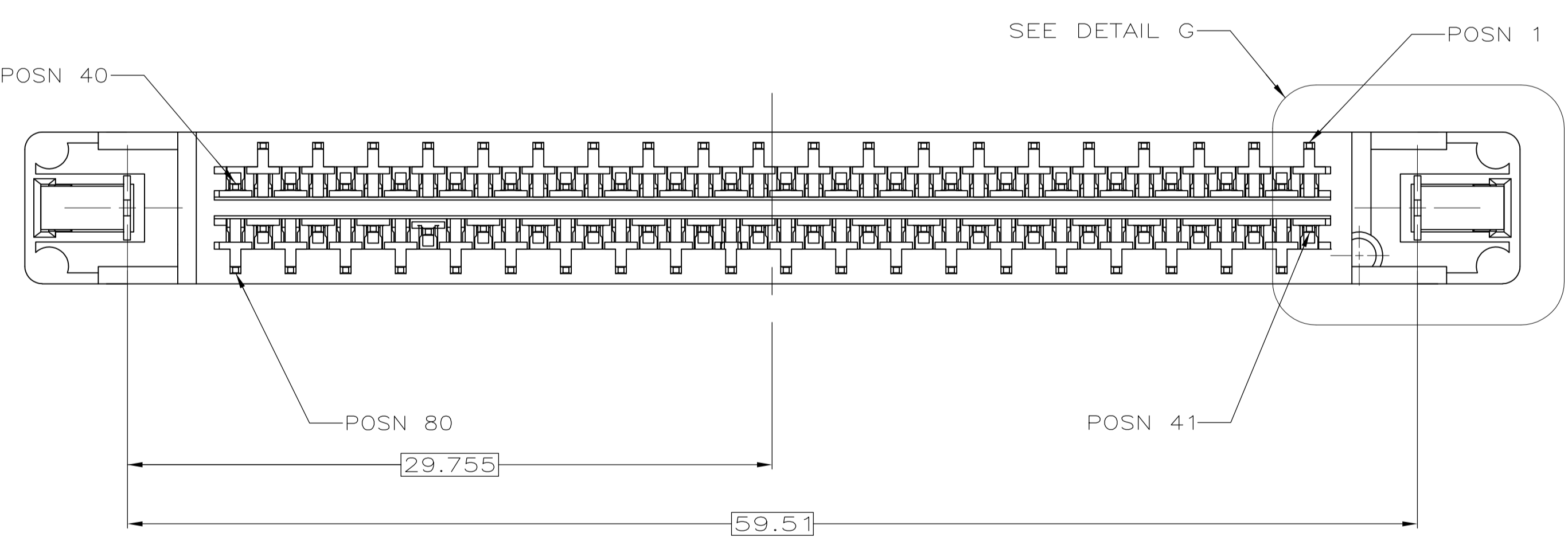
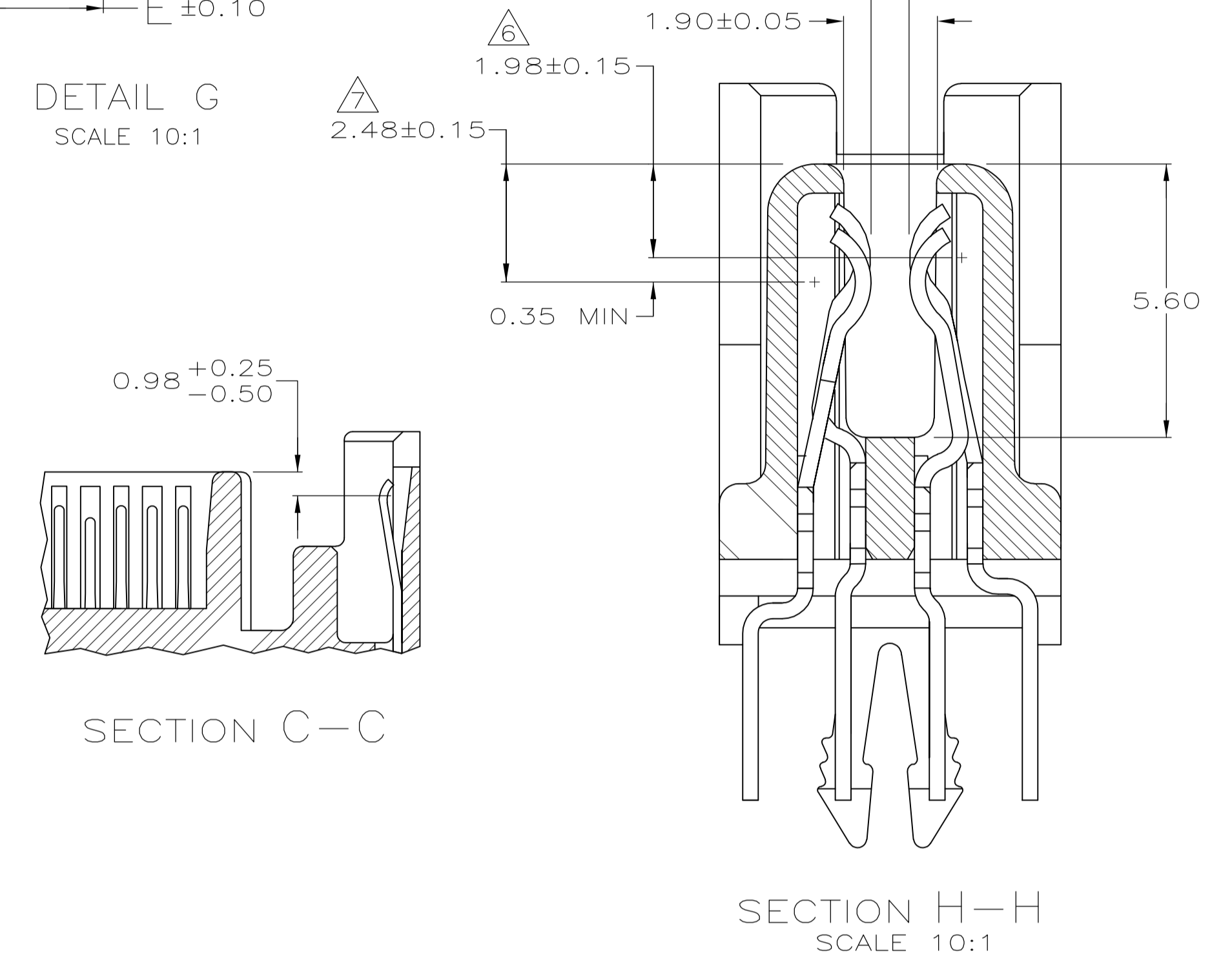
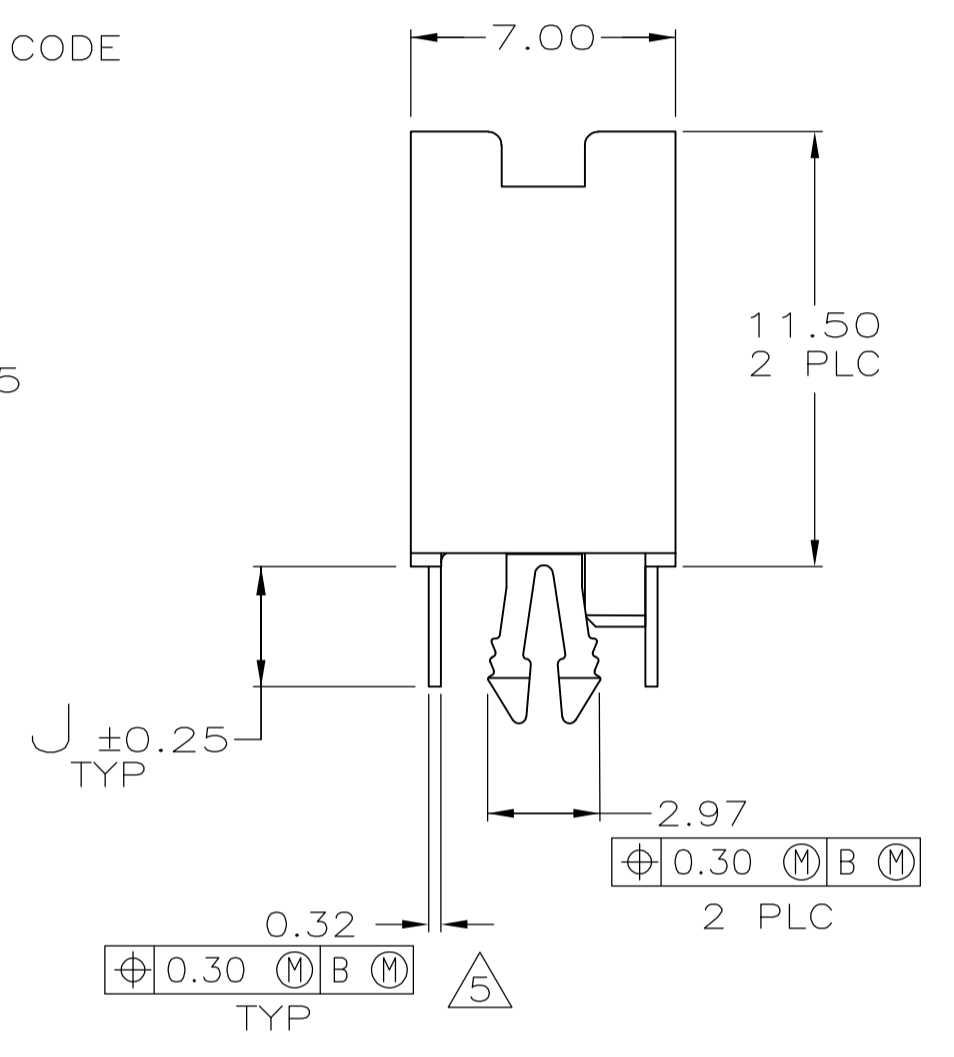
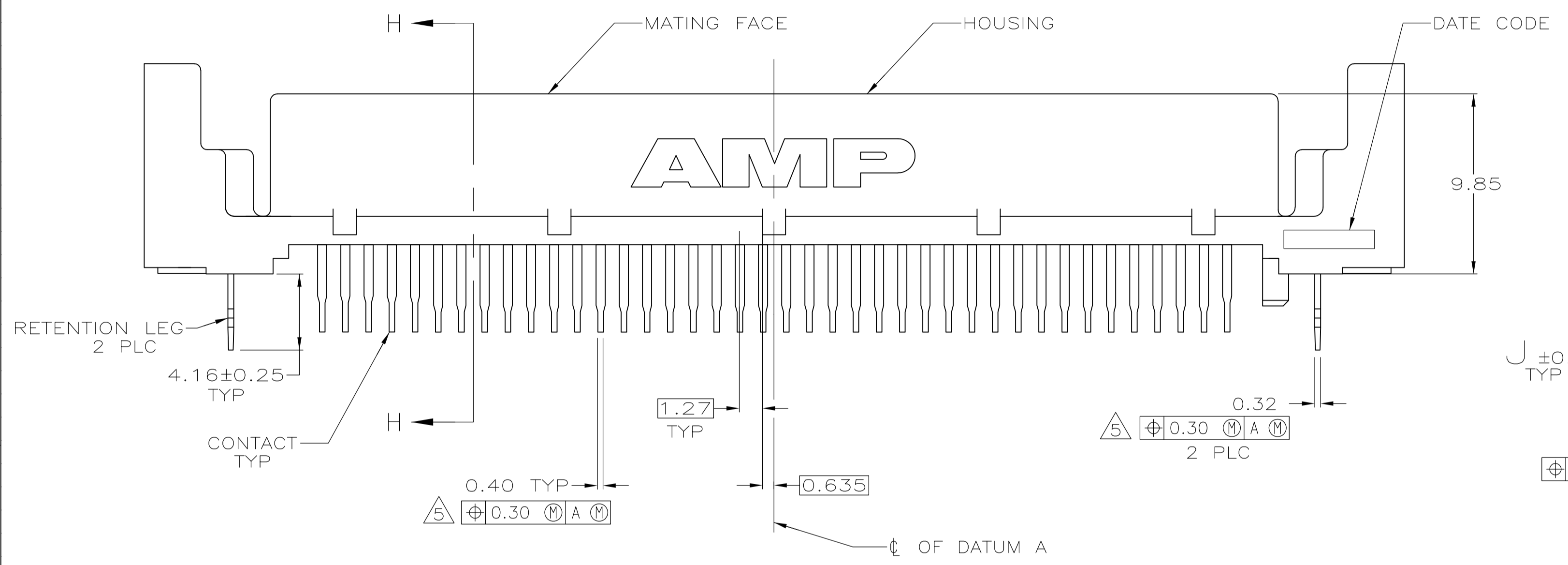
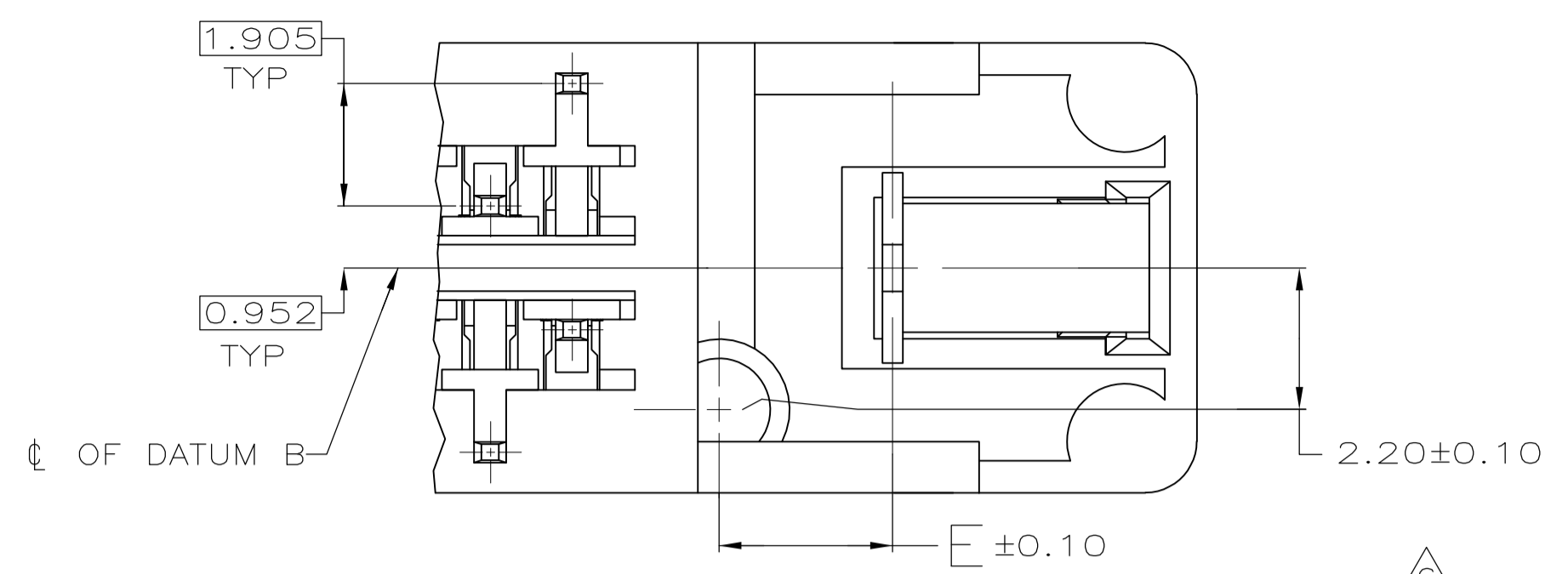
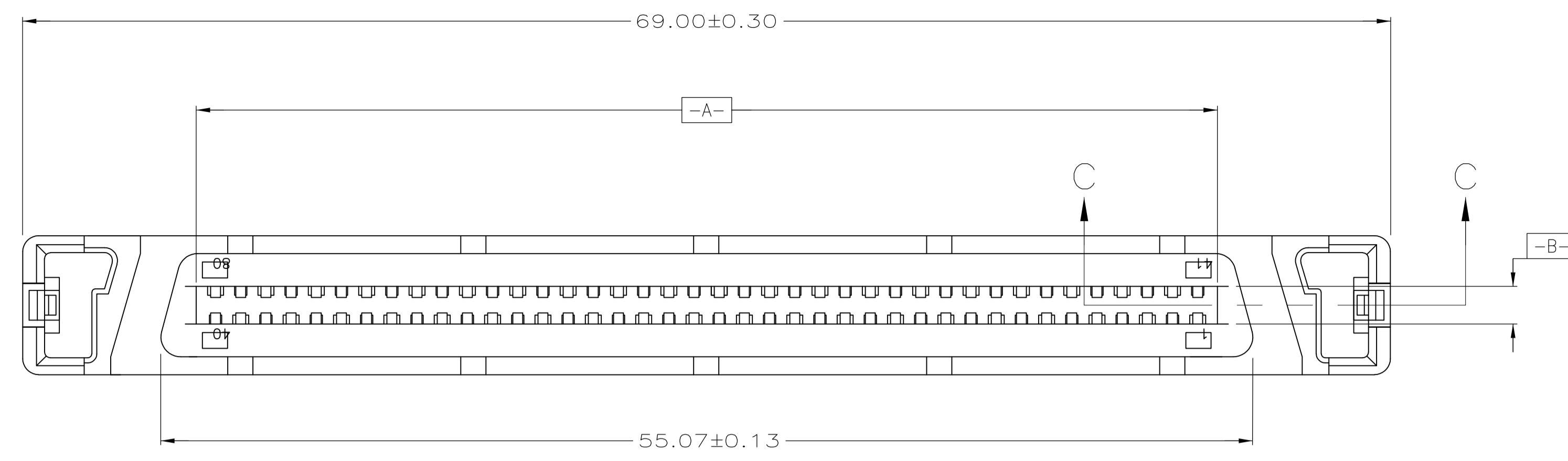
## Contact us

Tel: +86-755-8981 8866 Fax: +86-755-8427 6832

Email & Skype: info@chipsmall.com Web: www.chipsmall.com

Address: A1208, Overseas Decoration Building, #122 Zhenhua RD., Futian, Shenzhen, China





- ① HOUSING: LCP, UL 94V-0 RATED, BLACK.  
CONTACTS: PHOSPHOR BRONZE.  
RETENTION LEG: BRASS.
- ② CONTACTS: 0.76µm GOLD FOR A LENGTH 1.20 MIN STARTING 0.50 MAX FROM MATING END,  
3.81µm MIN TIN-LEAD FOR A LENGTH OF 3.43 MIN FROM OPPOSITE END, BOTH OVER  
1.27µm MIN NICKEL.
- ③ RETENTION LEG: 3.81µm MIN TIN-LEAD OVER 1.27µm MIN NICKEL.
- ④ CONNECTOR WILL ACCOMMODATE MATING PRINTED CIRCUIT BOARD OF 1.60±0.07 THICKNESS.
- ⑤ POSITION TOLERANCE APPLIES AT CONTACT TIP ONLY.
- ⑥ CONTACTS 1, 36 THRU 40, 41 THRU 43, 45, 46 AND 75 THRU 80 ARE POSITIONED TOWARD THE MATING FACE. (FIRST MATE)
- ⑦ CONTACTS 2 THRU 35, 44, AND 47 THRU 74 ARE POSITIONED AWAY FROM THE MATING FACE. (SECOND MATE)
- ⑧ CONTACTS: 0.76µm GOLD FOR A LENGTH 1.20 MIN STARTING 0.50 MAX FROM MATING END,  
3.81µm MIN TIN-LEAD FOR A LENGTH OF 3.43 MIN FROM OPPOSITE END, BOTH OVER  
1.27µm MIN NICKEL.
- ⑨ RETENTION LEG: 3.81µm MIN HALT TIN OVER 1.27µm MIN NICKEL.
- ⑩ OBSOLETE PARTS: OBSOLETE CIS STREAMLINING PER D.RENAUD/D.SINISI

RECOMMENDED PC BOARD MOUNTING DIMENSIONS COMPONENT SIDE SCALE 4:1

SUPERCEDED BY 787311-5	⑩ OBSOLETE	⑧ ⑨	4.57	80	787311-5
		⑧ ⑨	3.18	80	787311-4
		② ③	4.57	80	787311-3
	OBSOLETE	② ③	3.18	80	787311-2
		② ③	3.18	80	787311-1
	FINISH	J	POSN	PART NUMBER	

THIS DRAWING IS A CONTROLLED DOCUMENT.		DIN C.DORWART 06/06/95	STE TE Connectivity	
DIMENSIONS: mm		CHK R.STONE 06/16/95	NAME	
TOLERANCES UNLESS OTHERWISE SPECIFIED:		APVD M.RUPERT 06/16/95	PRODUCT SPEC	
0 PLC ± -		108-1548		
1 PLC ± 0.10		APPLICATION SPEC		
2 PLC ± 0.10		114-6061		
3 PLC ± -		SIZE CAGE CODE DRAWING NO		
4 PLC ± -		A1 00779C=787311		
MATERIAL ①		WEIGHT		
FINISH SEE TABLE		CUSTOMER DRAWING		
		SCALE 5:1 SHEET 1 OF 1 REV N3		