



Chipsmall Limited consists of a professional team with an average of over 10 year of expertise in the distribution of electronic components. Based in Hongkong, we have already established firm and mutual-benefit business relationships with customers from,Europe,America and south Asia,supplying obsolete and hard-to-find components to meet their specific needs.

With the principle of “Quality Parts,Customers Priority,Honest Operation,and Considerate Service”,our business mainly focus on the distribution of electronic components. Line cards we deal with include Microchip,ALPS,ROHM,Xilinx,Pulse,ON,Everlight and Freescale. Main products comprise IC,Modules,Potentiometer,IC Socket,Relay,Connector.Our parts cover such applications as commercial,industrial, and automotives areas.

We are looking forward to setting up business relationship with you and hope to provide you with the best service and solution. Let us make a better world for our industry!



## Contact us

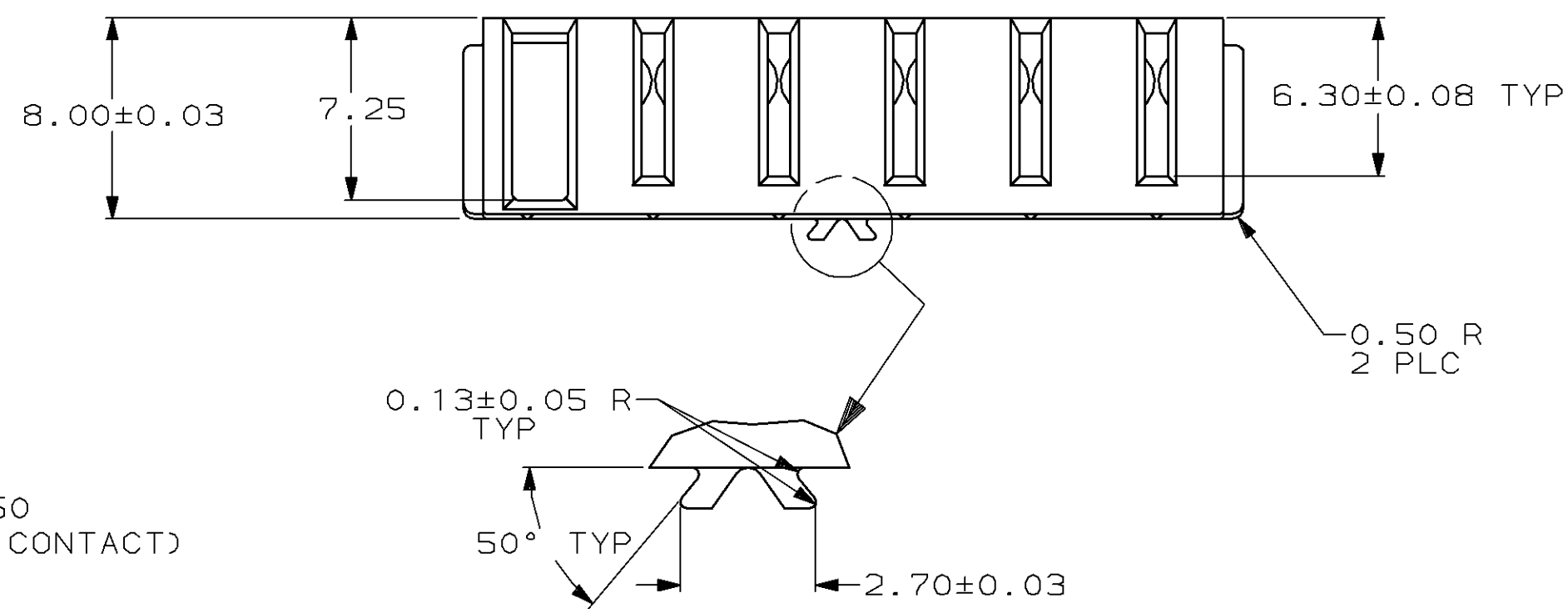
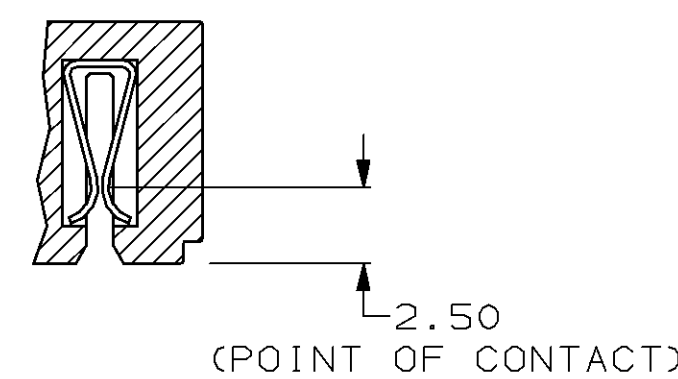
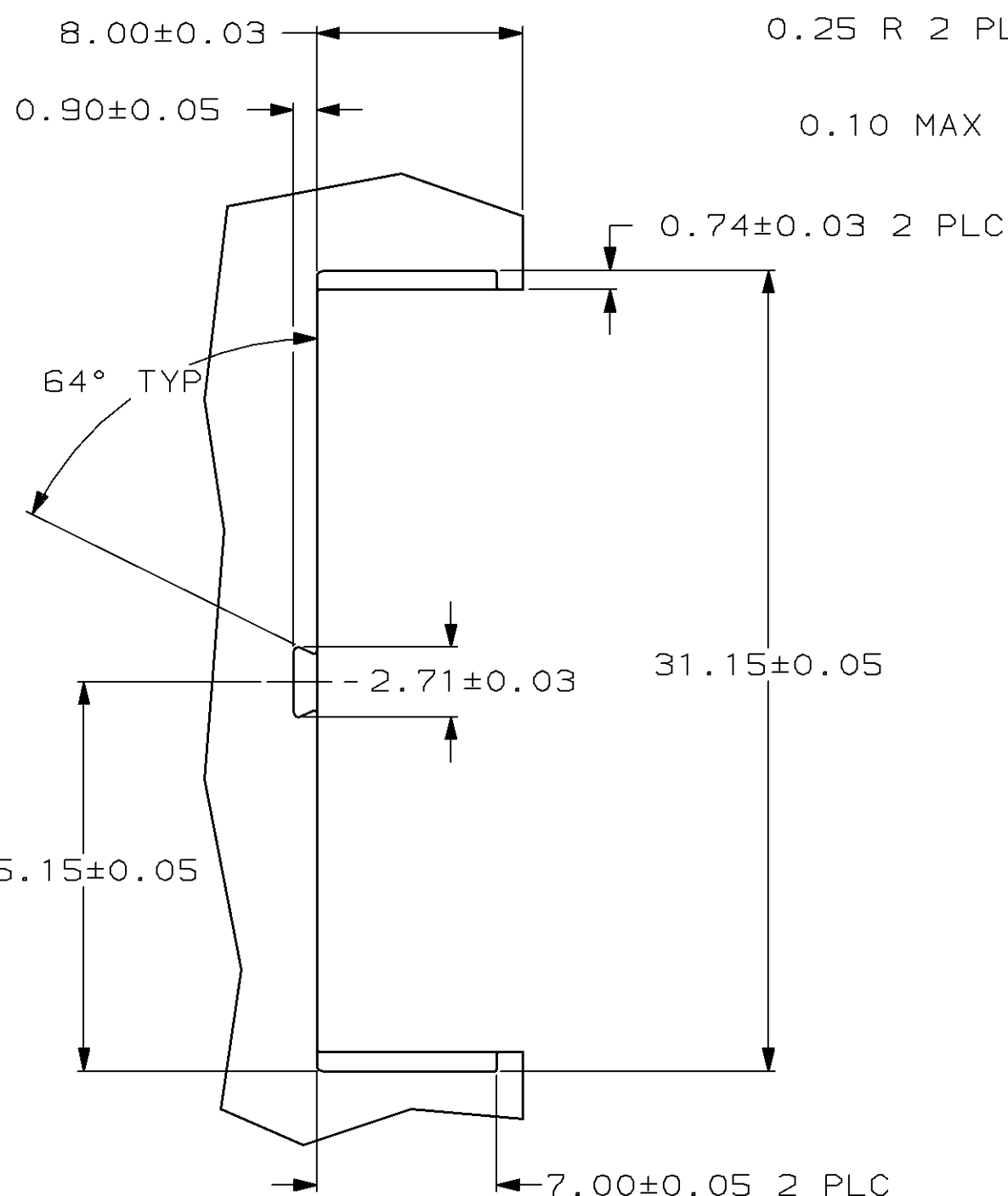
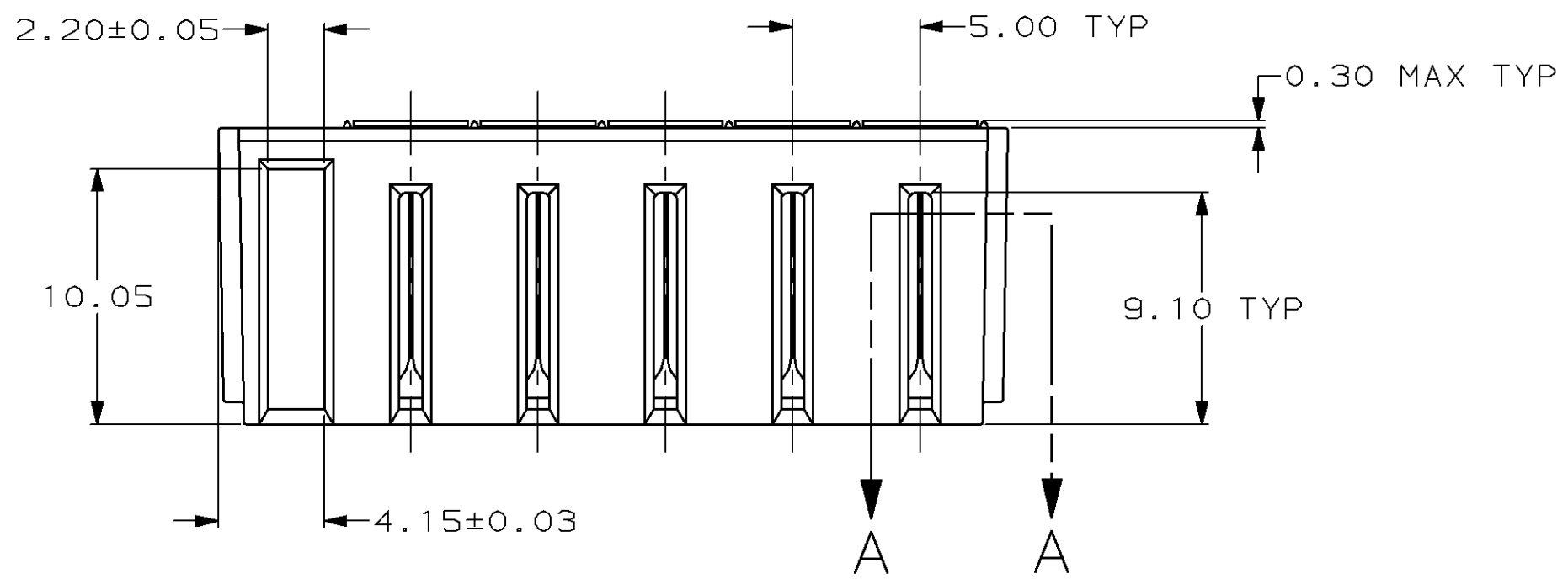
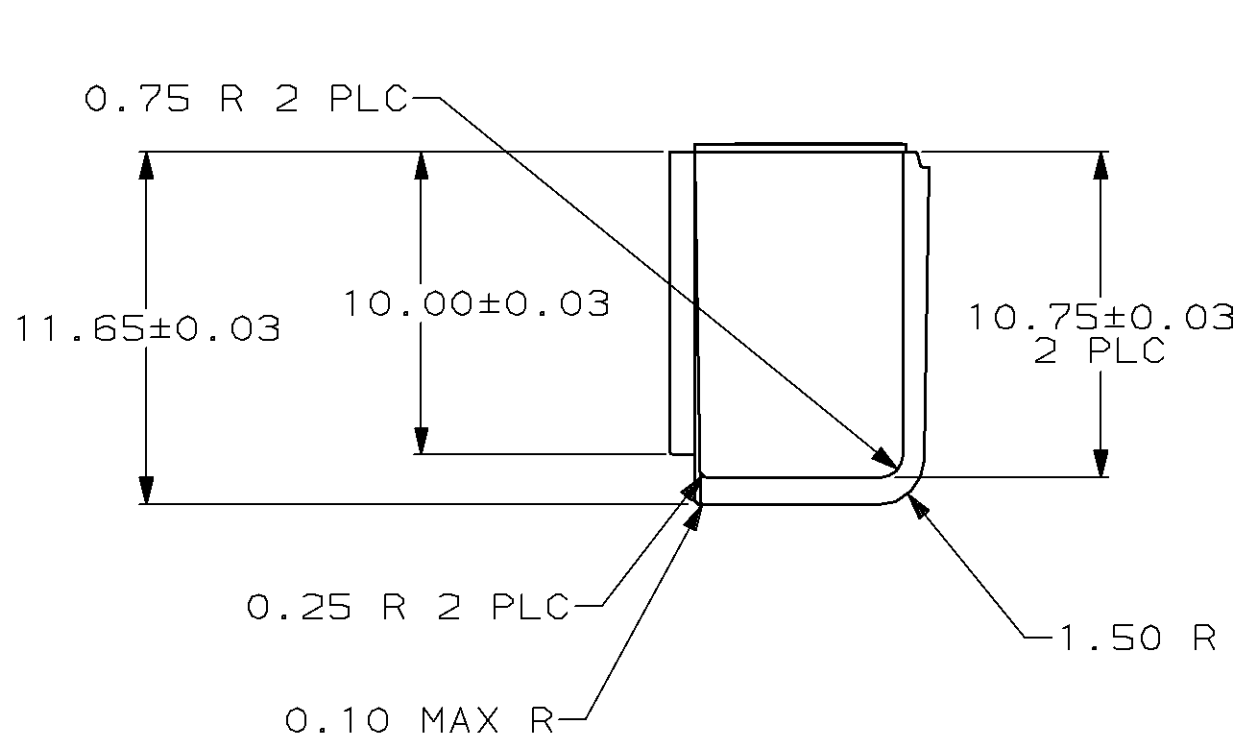
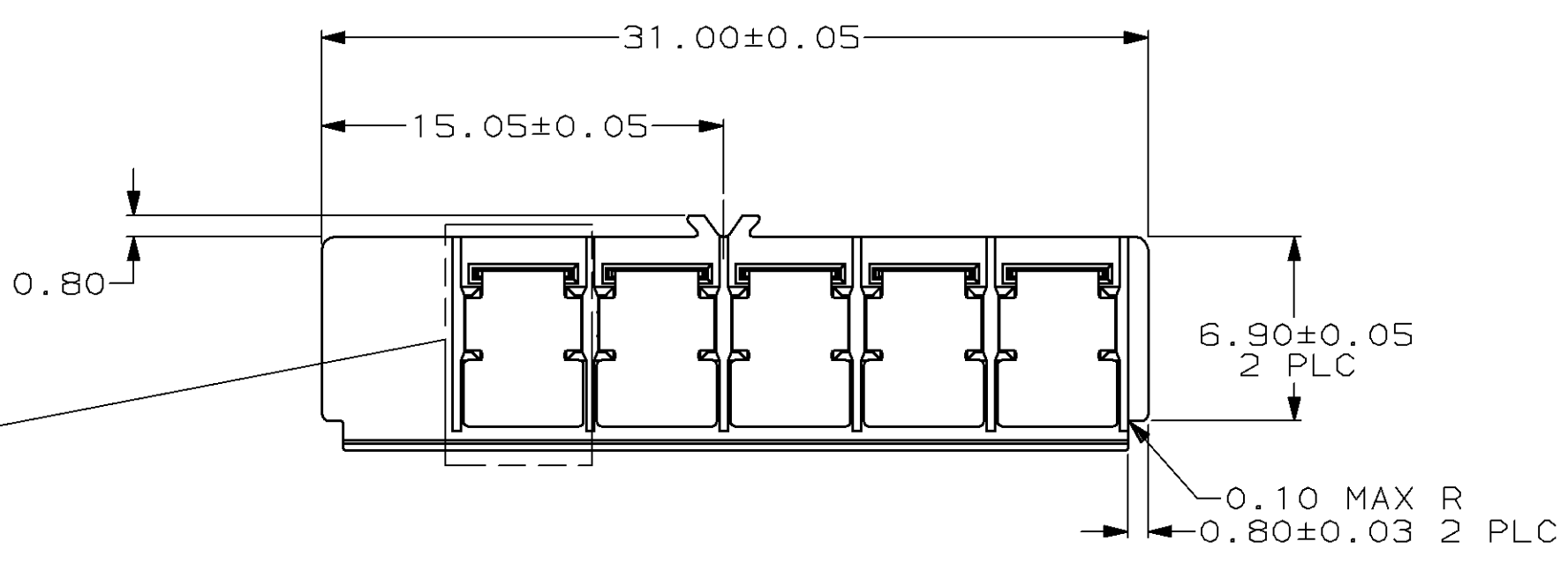
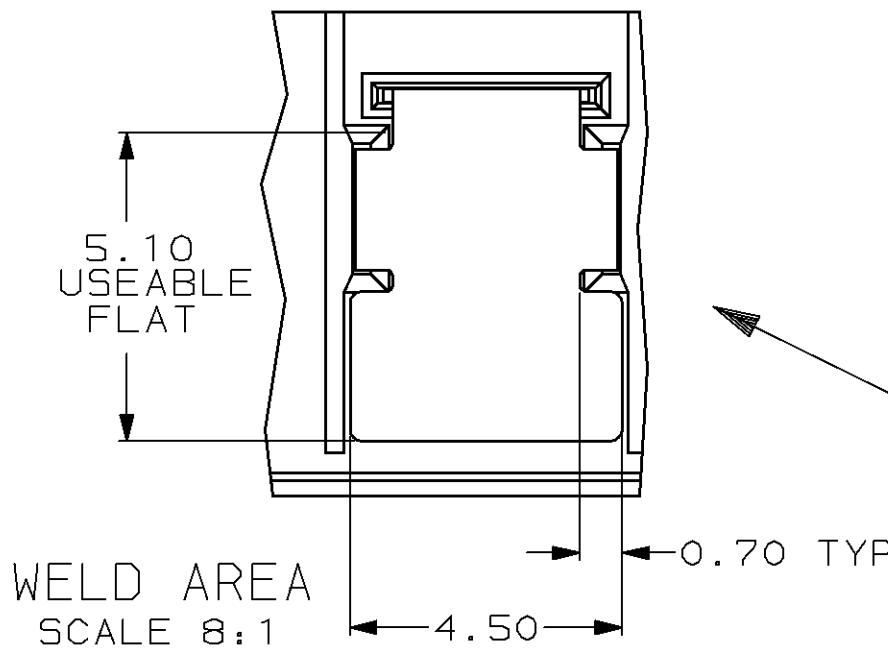
Tel: +86-755-8981 8866 Fax: +86-755-8427 6832

Email & Skype: info@chipsmall.com Web: www.chipsmall.com

Address: A1208, Overseas Decoration Building, #122 Zhenhua RD., Futian, Shenzhen, China



LOC		DIST		ZONE		LTR		REVISIONS		DATE	APPD
BD	39							0	RLSE -1 PER NPR 5235, WAS 93-1878-145-1	11/15/94	SK



DO NOT SCALE PRINT. UNLESS SPECIFIED DIMENSIONS IN mm TOLERANCES ON : 2 PLC DEC ±0.10 3 PLC DEC ± - ANGLES ± 2°		DR 12-08-93 G.DOUTY		AMP Incorporated Harrisburg, PA 17105-3608	
MATERIAL HOUSING: POLYCARBONATE COLOR: BLACK CONTACTS: COPPER ALLOY		CHK 11-16-94 R.S.KLINE			
FINISH CONTACTS: PRE-NICKEL		APPD 11-16-94 R.S.KLINE		NAME INSERT ASSEMBLY, 5 POSITION, SINGLE KEY, DOVETAIL LOCATOR, 5mm $\phi$ , 7.2 VOLT, BATTERY INTERCONNECT	
APPLICATION SPEC		PRODUCT SPEC		SIZE	CAGE CODE
-		-		C	00779
WEIGHT		-		DRAWING NO	C=787328
-		-		SCALE	4:1
				SHEET	1 OF 1

THIS DRAWING IS A CONTROLLED DOCUMENT FOR AMP INCORPORATED. IT IS SUBJECT TO CHANGE AND THE CONTROLLING ENGINEERING ORGANIZATION SHOULD BE CONTACTED FOR THE LATEST REVISION.