



Chipsmall Limited consists of a professional team with an average of over 10 year of expertise in the distribution of electronic components. Based in Hongkong, we have already established firm and mutual-benefit business relationships with customers from,Europe,America and south Asia,supplying obsolete and hard-to-find components to meet their specific needs.

With the principle of "Quality Parts,Customers Priority,Honest Operation,and Considerate Service",our business mainly focus on the distribution of electronic components. Line cards we deal with include Microchip,ALPS,ROHM,Xilinx,Pulse,ON,Everlight and Freescale. Main products comprise IC,Modules,Potentiometer,IC Socket,Relay,Connector.Our parts cover such applications as commercial,industrial, and automotives areas.

We are looking forward to setting up business relationship with you and hope to provide you with the best service and solution. Let us make a better world for our industry!



Contact us

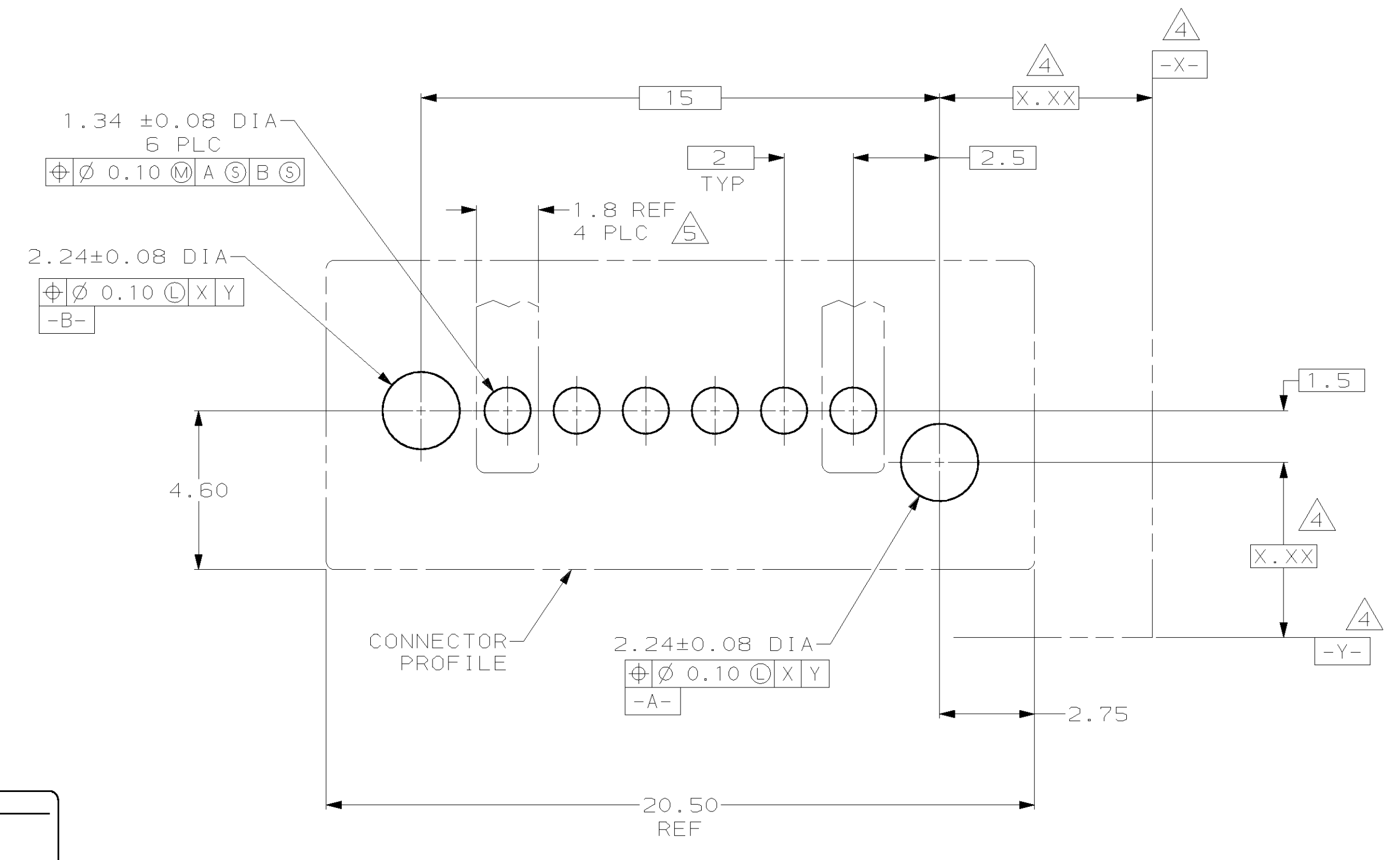
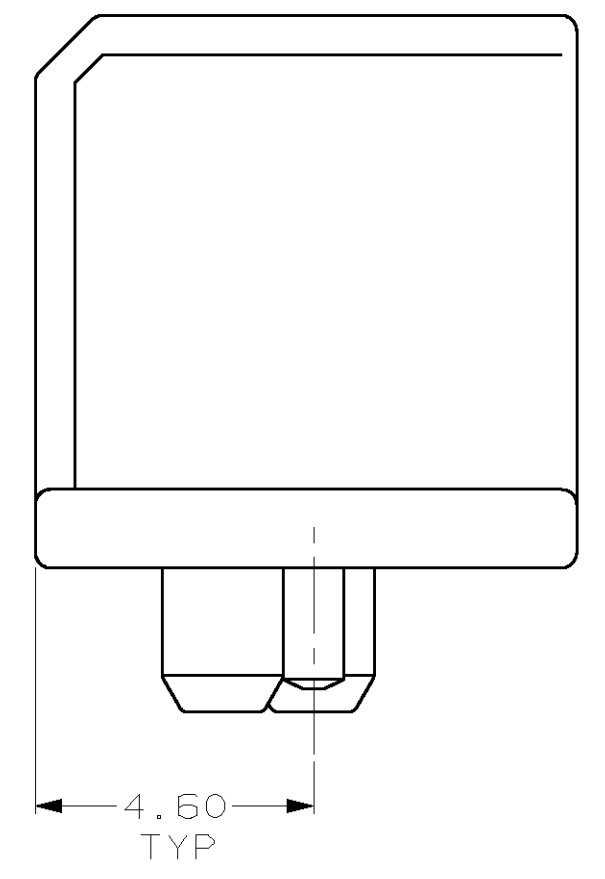
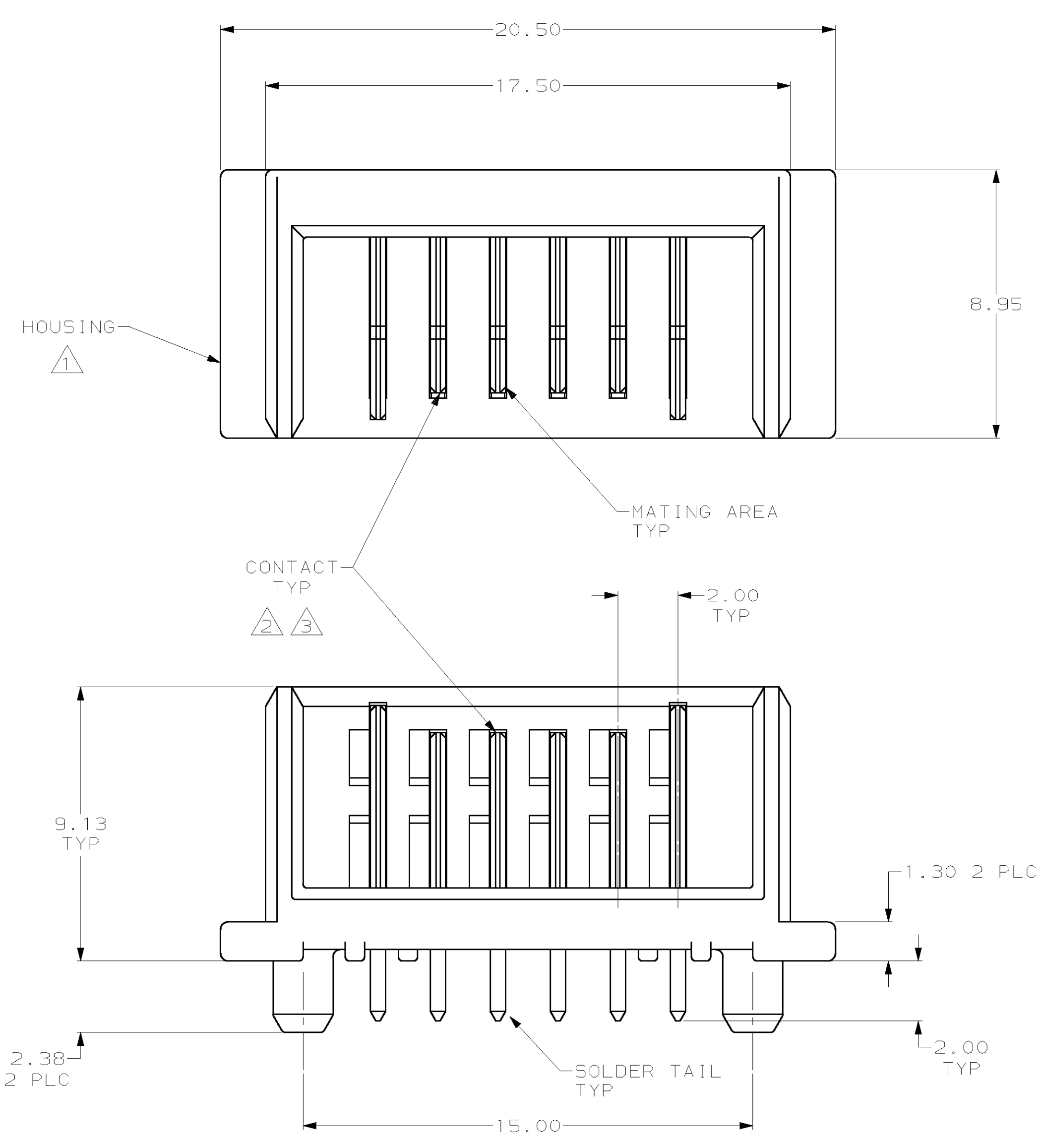
Tel: +86-755-8981 8866 Fax: +86-755-8427 6832

Email & Skype: info@chipsmall.com Web: www.chipsmall.com

Address: A1208, Overseas Decoration Building, #122 Zhenhua RD., Futian, Shenzhen, China



REV	DATE	DESCRIPTION	DATE	OWN	APPV
B	14 MAR 97	REV PER 0410-0189-96	14 MAR 97	JR	CB
C	29 MAR 99	REV PER EC 061C-0036-99	29 MAR 99	CD	KD
D	30 MAR 99	REV PER EC 061C-0056-99	30 MAR 99	CD	KD



P.C. BOARD MOUNTING DIMENSIONS

- 1 SPS, UL 94V-0 RATED, BLACK.
- 2 BRASS.
- 3 .076µm MINIMUM GOLD OVER 0.76µm MINIMUM PALLADIUM NICKEL ON MATING AREA, 3.80µm MINIMUM TIN-LEAD ON SOLDER TAIL, ALL OVER 1.27 µm MINIMUM NICKEL.
- 4 DATUMS AND DIMENSIONS ESTABLISHED BY CUSTOMER.
- 5 RECOMMENDED MINIMUM TRACE WIDTH FOR END POSITIONS WHEN CARRYING 3 AMPS: 1.8 WIDE x 55µm THICK, BOTH SIDES.

787531-1
PART NUMBER

<small>THIS DRAWING IS A CONTROLLED DOCUMENT AND IS UNPUBLISHED. IT IS SUBJECT TO CHANGE AND THE CONTROLLING ENGINEERING DEPARTMENT SHALL BE CONTACTED FOR THE LATEST REVISION.</small>		DWN: R.S.KLINE 07-05-95 CHK: R.S.KLINE 07-11-95 APPV: R.S.KLINE 07-11-95	AMP AMP Incorporated Harrisburg, PA 17105-3608
DIMENSIONS: mm 	TOLERANCES UNLESS OTHERWISE SPECIFIED: 0 PLC ±. 1 PLC ±. 2 PLC ±0.13 3 PLC ±. 4 PLC ±. ANGLES ±.	PRODUCT SPEC: APPLICATION SPEC: WEIGHT: -	HEADER ASSY, 6 POSN, SEQUENCED, MDI SIZE: A1 CAGE CODE: 00779 DRAWING NO: C=787531
MATERIAL: SEE CALLOUTS	FINISH: SEE CALLOUTS	REVISION: CUSTOMER DRAWING	SCALE: 8:1 SHEET: 1 OF 1 REV: D