



Chipsmall Limited consists of a professional team with an average of over 10 year of expertise in the distribution of electronic components. Based in Hongkong, we have already established firm and mutual-benefit business relationships with customers from,Europe,America and south Asia,supplying obsolete and hard-to-find components to meet their specific needs.

With the principle of “Quality Parts,Customers Priority,Honest Operation,and Considerate Service”,our business mainly focus on the distribution of electronic components. Line cards we deal with include Microchip,ALPS,ROHM,Xilinx,Pulse,ON,Everlight and Freescale. Main products comprise IC,Modules,Potentiometer,IC Socket,Relay,Connector.Our parts cover such applications as commercial,industrial, and automotives areas.

We are looking forward to setting up business relationship with you and hope to provide you with the best service and solution. Let us make a better world for our industry!



## Contact us

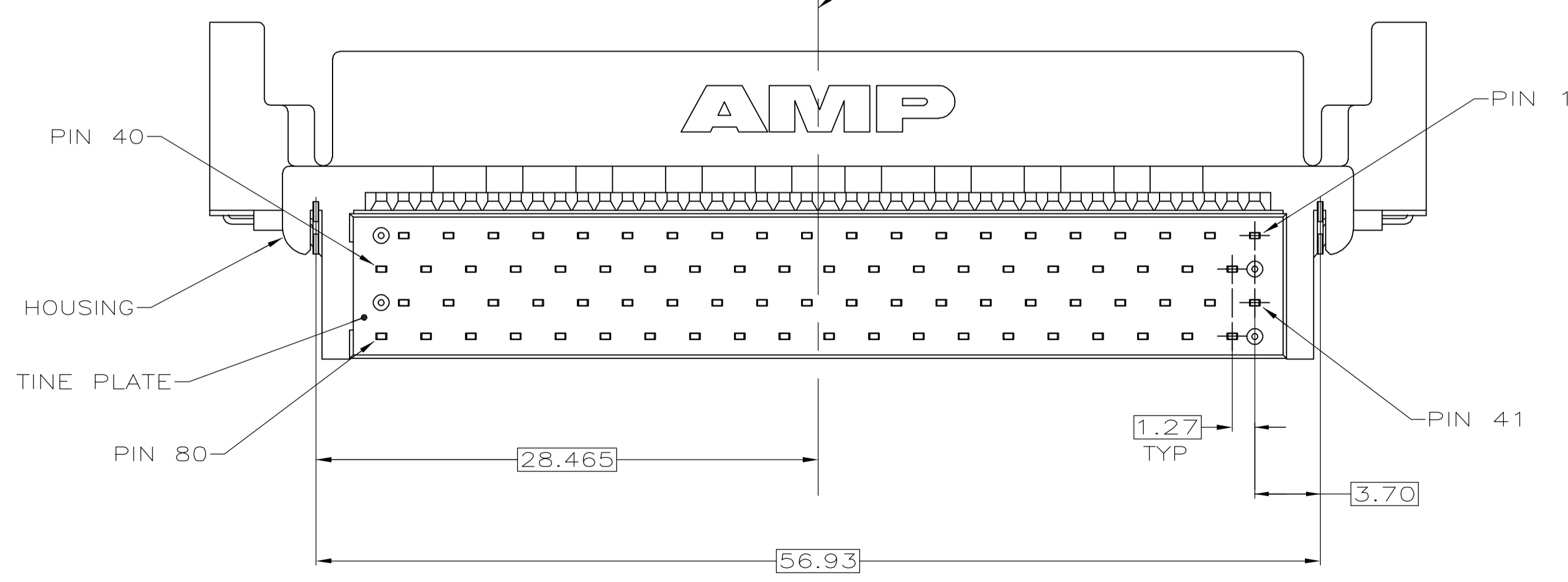
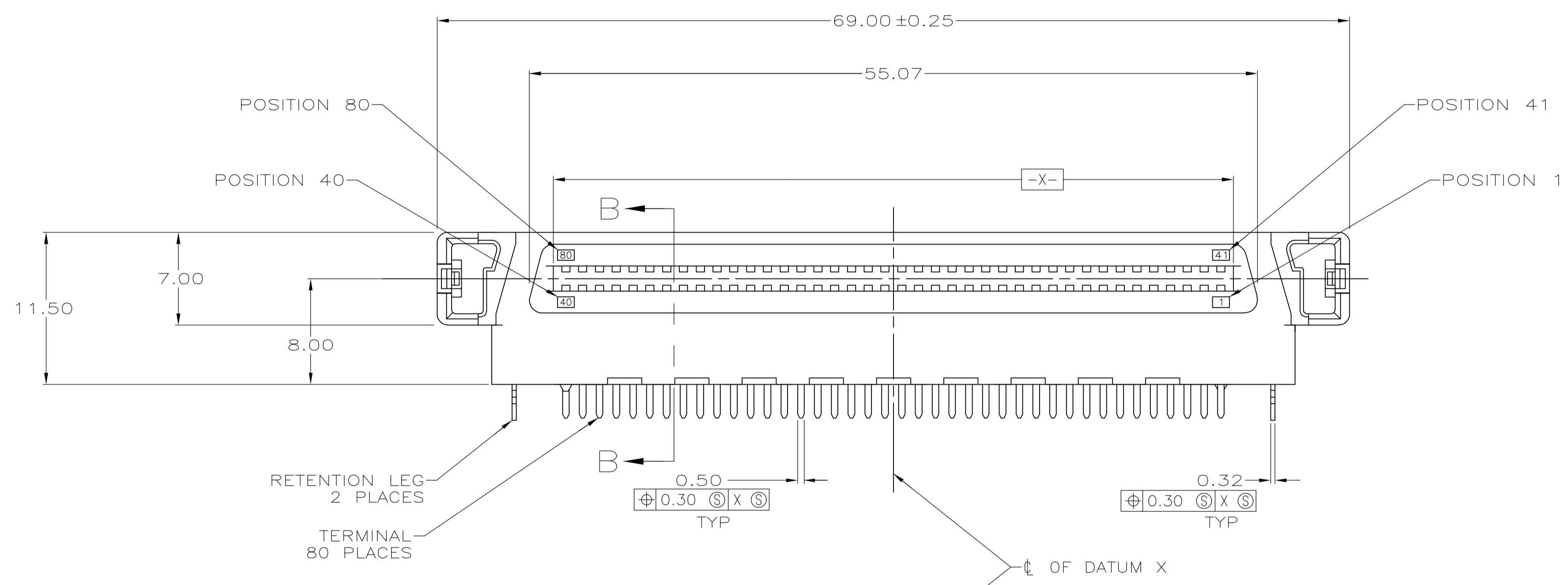
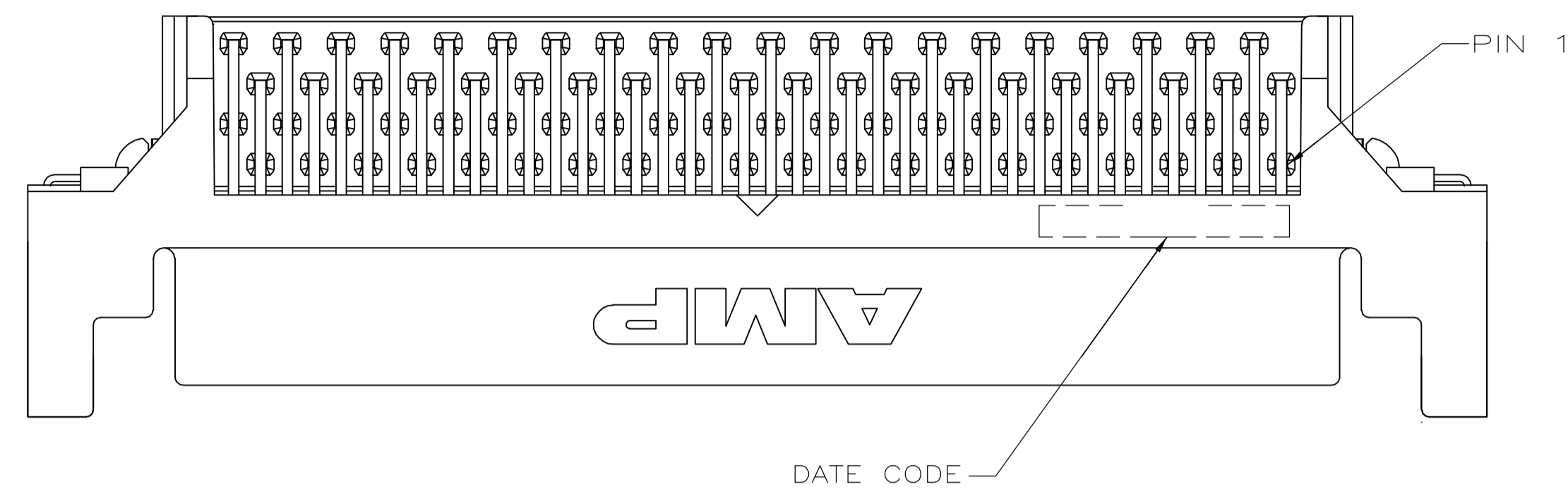
Tel: +86-755-8981 8866 Fax: +86-755-8427 6832

Email & Skype: info@chipsmall.com Web: www.chipsmall.com

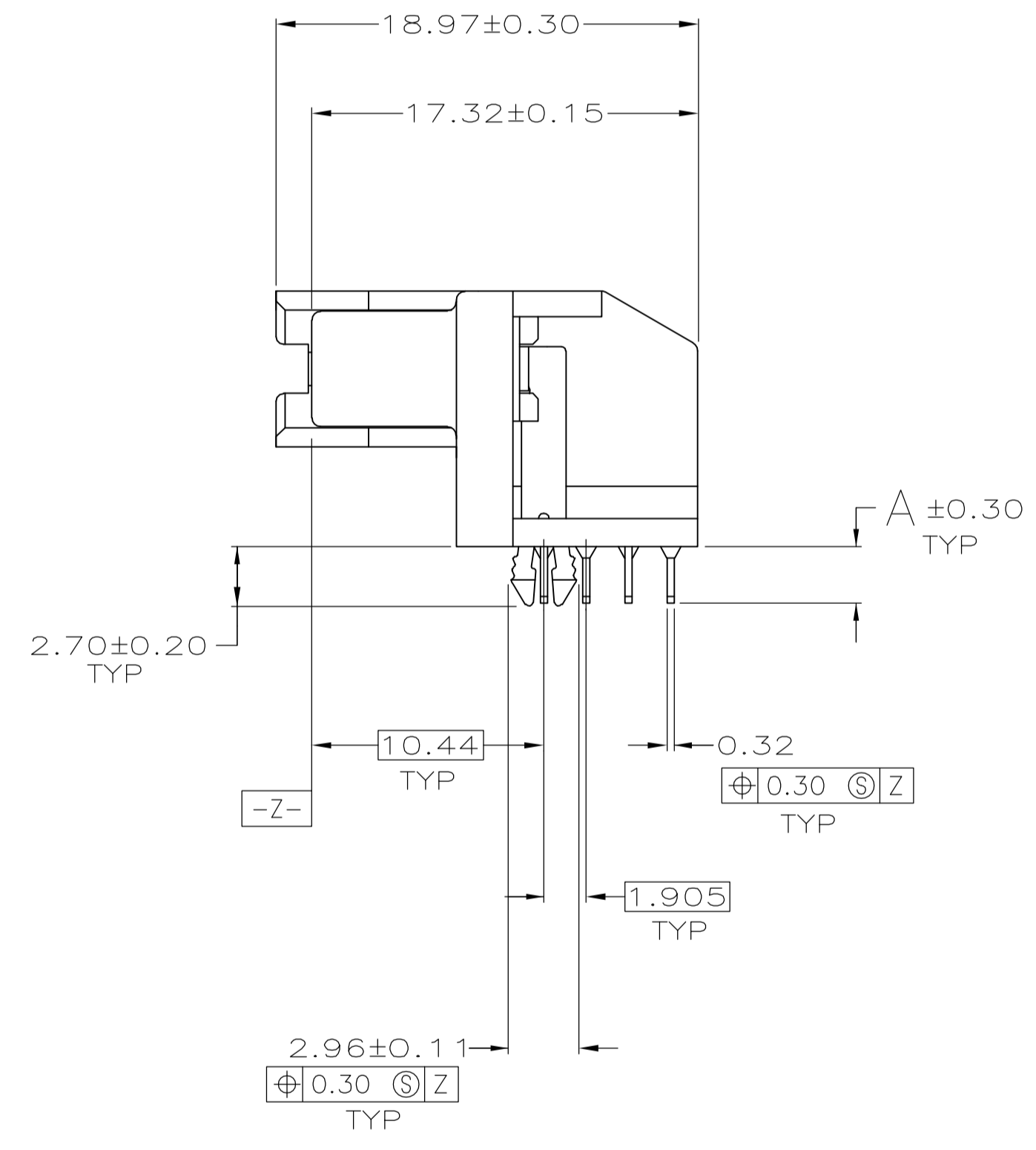
Address: A1208, Overseas Decoration Building, #122 Zhenhua RD., Futian, Shenzhen, China



LOC		DIST		REVISIONS			
P	LTR	DESCRIPTION	DATE	DWN	APPD	REV	REV
M	REV PER EC	OS13-0631-04	12MAY2005	EB	EB		



- △ HOUSING AND TINE PLATE: LCP, UL 94V-0 RATED, BLACK.  
TERMINALS: PHOSPHOR BRONZE.  
RETENTION LEGS: BRASS.
- △ TERMINALS: 0.76µm MIN GOLD FOR A LENGTH 1.20 MIN STARTING 0.50 MAX FROM MATING END, 3.81µm MIN TIN-LEAD FOR A LENGTH OF 3.40 MIN FROM OPPOSITE END, BOTH OVER 1.27µm MIN NICKEL.  
RETENTION LEGS: 3.81µm MIN TIN-LEAD OVER 1.27µm MIN NICKEL.
- △ CONNECTOR WILL ACCOMMODATE MATING PRINTED CIRCUIT BOARD OF 1.60±0.07.
- △ CONTACTS 1, 36 THRU 40, 41 THRU 43, 45, 46 AND 75 THRU 80 ARE POSITIONED TOWARD THE MATING FACE. (FIRST MATE)
- △ CONTACTS 2 THRU 35, 44, AND 47 THRU 74 ARE POSITIONED AWAY FROM THE MATING FACE. (SECOND MATE)
- △ TERMINALS: 0.76µm MIN GOLD FOR A LENGTH 1.20 MIN STARTING 0.50 MAX FROM MATING END, 3.81µm MIN TIN FOR A LENGTH OF 3.40 MIN FROM OPPOSITE END, BOTH OVER 1.27µm MIN NICKEL.  
RETENTION LEGS: 3.81µm MIN TIN OVER 1.27µm MIN NICKEL.



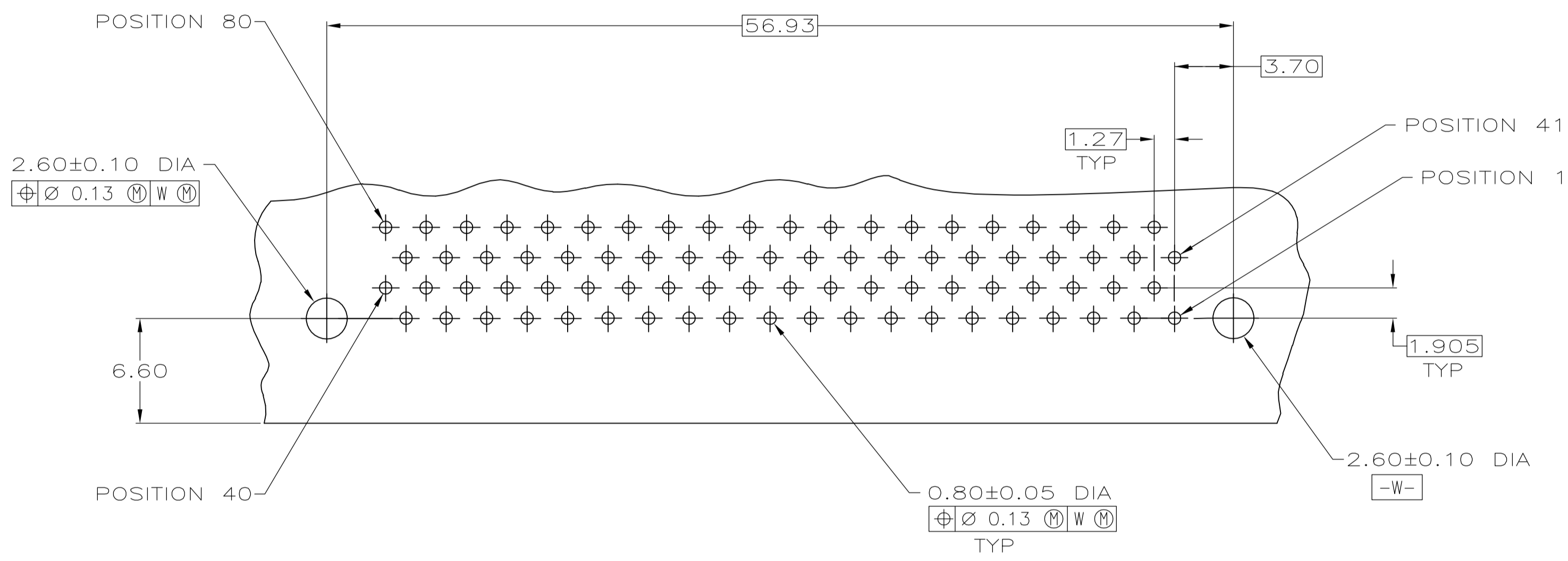
YES	△6	3.05	80	787535-4
YES	△6	2.54	80	787535-3
NO	△2	3.05	80	787535-2
NO	△2	2.54	80	787535-1
LEAD FREE	FINISH	A	NO OF POSN	PART NUMBER

THIS DRAWING IS A CONTROLLED DOCUMENT.

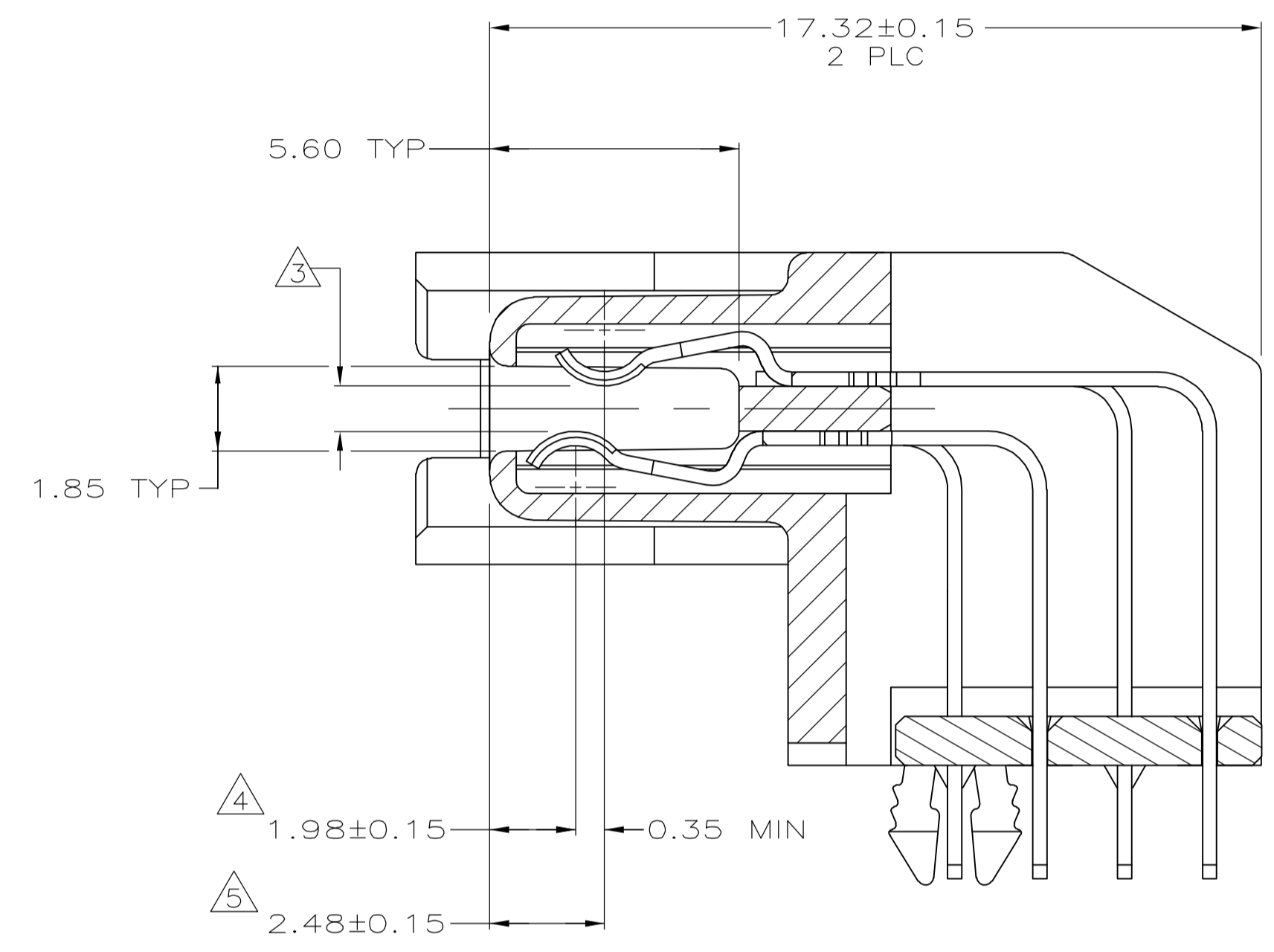
DIMENSIONS:	TOLERANCES UNLESS OTHERWISE SPECIFIED:	DWN	B. MCMASTER	29MAR04	<b>tyco</b>	Tyco Electronics Corporation
mm	0 PLC ± -	CHK	S. SHUEY	29MAR04	<b>Electronics</b>	Harrisburg, Pa 17105-3608
	1 PLC ± -	APVD	M. WALMSLEY	29MAR04	NAME	RECEPTACLE ASSEMBLY, RIGHT ANGLE, BOARD-TO-BOARD, .050, SERIES I, CHAMP BLINDMATE
	2 PLC ± 0.10	PRODUCT SPEC			SIZE	108-1548-2
	3 PLC ± -	APPLICATION SPEC			CAGE CODE	114-6061
	4 PLC ± -	ANGLES			DRAWING NO	A100779
MATERIAL	SEE TABLE	WEIGHT			SCALE	4:1
△1		CUSTOMER DRAWING			SHEET	1 OF 2

THIS DRAWING IS UNPUBLISHED. RELEASED FOR PUBLICATION  
 © COPYRIGHT BY TYCO ELECTRONICS CORPORATION. ALL RIGHTS RESERVED.

LOC		DIST		REVISIONS				
P	LR	DATE	DN	APVD	DESCRIPTION			
GP	00				SEE SHEET 1			



RECOMMENDED PC BOARD  
 MOUNTING DIMENSIONS  
 COMPONENT SIDE



SECTION B-B  
 SCALE 8:1

THIS DRAWING IS A CONTROLLED DOCUMENT.		DWN B MCMMASTER 29MAR04		Tyco Electronics Corporation Harrisburg, Pa 17105-3608
DIMENSIONS: mm		CHK S SHUEY 29MAR04		NAME
TOLERANCES UNLESS OTHERWISE SPECIFIED: 0 PLC ± - 1 PLC ± - 2 PLC ± 0.10 3 PLC ± - 4 PLC ± - ANGLES ± -		APVD M WALMSLEY 29MAR04	PRODUCT SPEC 108-1548-2	RESTRICTED TO
MATERIAL		FINISH	APPLICATION SPEC 114-6061	SIZE CAGE CODE DRAWING NO A1 00779 C=787535
			WEIGHT	CUSTOMER DRAWING SCALE 4:1 SHEET 2 OF 2 REV M