



Chipsmall Limited consists of a professional team with an average of over 10 year of expertise in the distribution of electronic components. Based in Hongkong, we have already established firm and mutual-benefit business relationships with customers from,Europe,America and south Asia,supplying obsolete and hard-to-find components to meet their specific needs.

With the principle of “Quality Parts,Customers Priority,Honest Operation,and Considerate Service”,our business mainly focus on the distribution of electronic components. Line cards we deal with include Microchip,ALPS,ROHM,Xilinx,Pulse,ON,Everlight and Freescale. Main products comprise IC,Modules,Potentiometer,IC Socket,Relay,Connector.Our parts cover such applications as commercial,industrial, and automotives areas.

We are looking forward to setting up business relationship with you and hope to provide you with the best service and solution. Let us make a better world for our industry!



Contact us

Tel: +86-755-8981 8866 Fax: +86-755-8427 6832

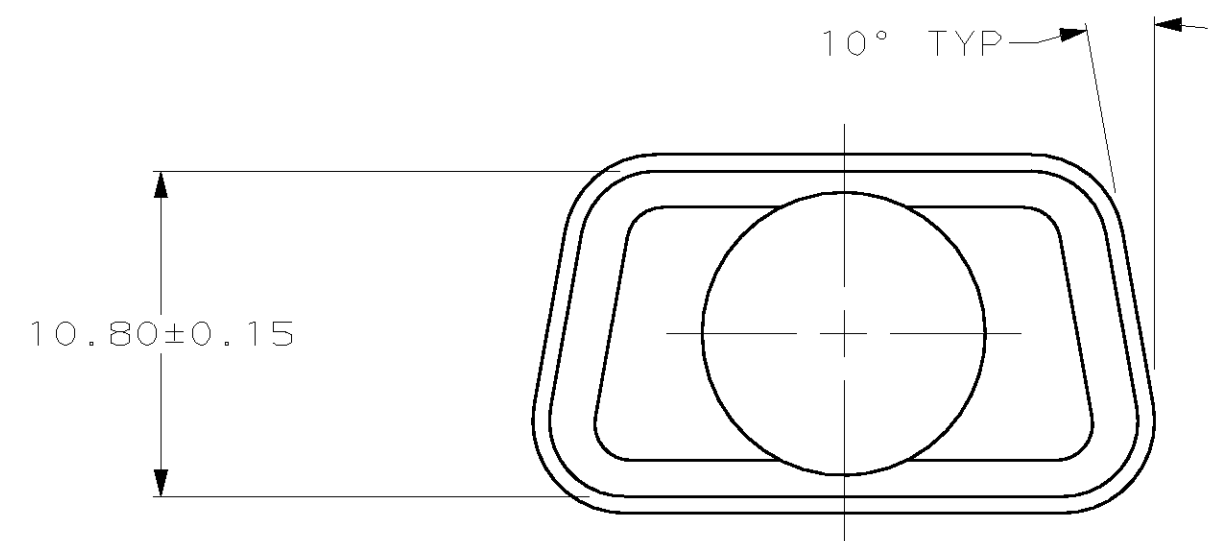
Email & Skype: info@chipsmall.com Web: www.chipsmall.com

Address: A1208, Overseas Decoration Building, #122 Zhenhua RD., Futian, Shenzhen, China

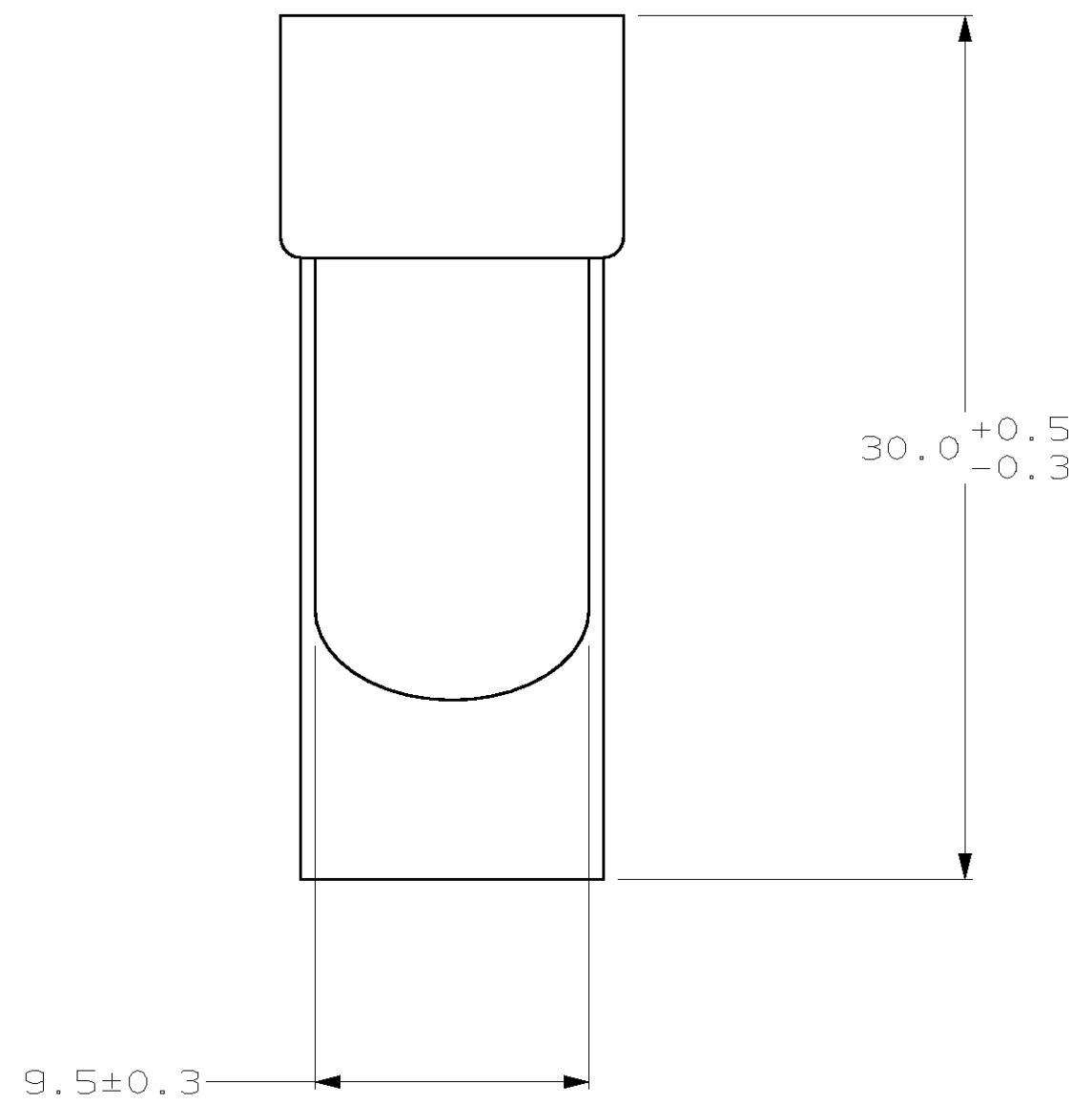
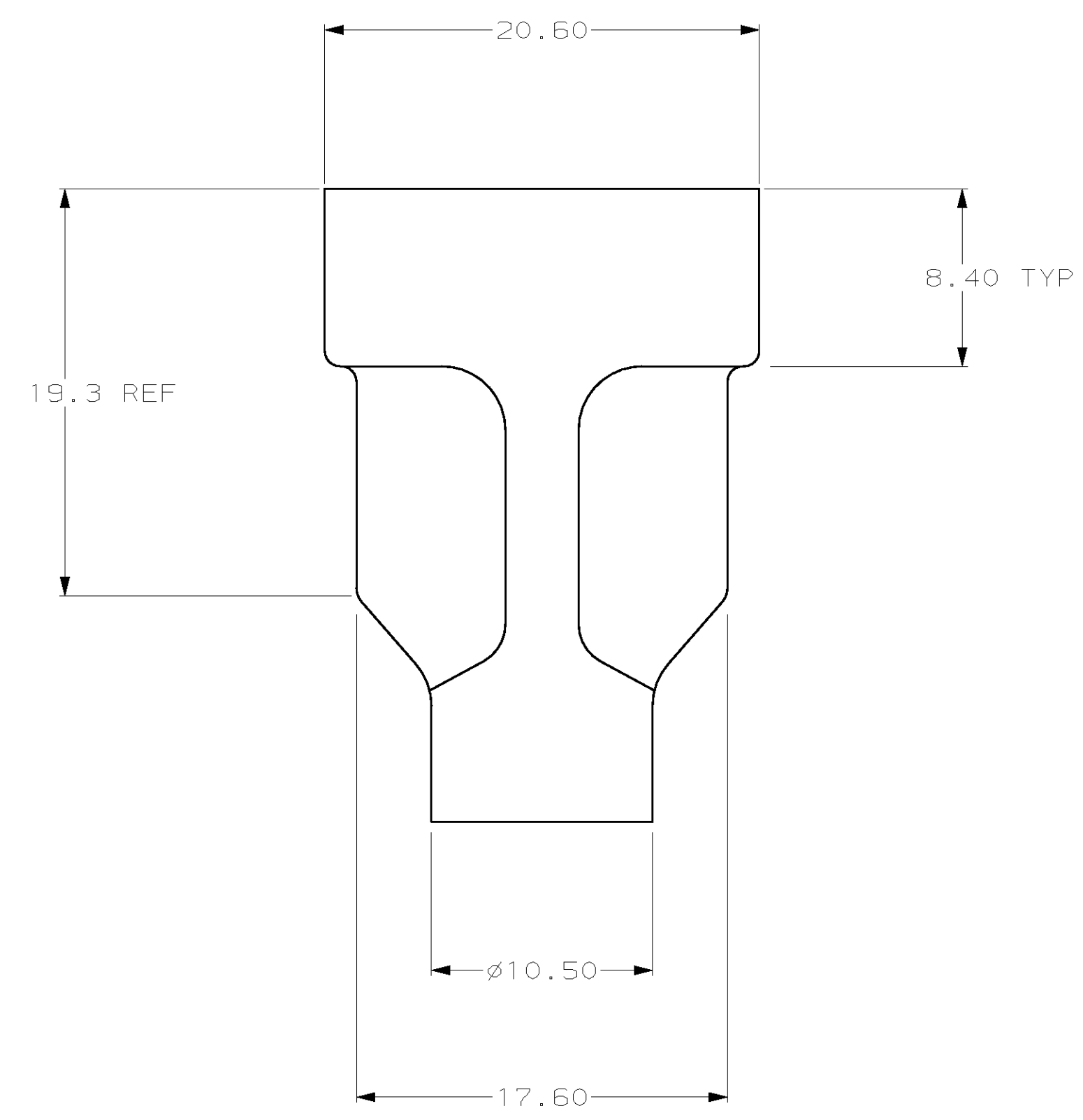


THIS DRAWING IS UNPUBLISHED. RELEASED FOR PUBLICATION .19
 BY AMP INCORPORATED. ALL RIGHTS RESERVED.

LOC	DIST	REVISIONS			
P	LTR	DESCRIPTION	DATE	DWN	APVD
BD	48	0	RELEASED	19 AUG 96	DB 5B
		A	REV PER EC 0320-53-96	12 SEP 96	BC DM
		B	REV PER EC 0640-229-98	10 MAY 99	DH AF
		C	REV PER EC 001D-80-00	20 MAR 00	DB DK



- 1 CARBON STEEL.
- 2 2.03 μm MIN TIN OVER 0.76 μm MIN COPPER.
- 3. ALL DIMENSIONS ARE NOMINAL UNLESS OTHERWISE SPECIFIED.
- 4. THESE SHIELDS ARE NOT INTENDED FOR USE WITH ANY COMMERCIAL CONNECTORS.



787593-2
 PART NUMBER

THIS DRAWING IS A CONTROLLED DOCUMENT.		DWN D.BROCKWAY 19 AUG 96	AMP Incorporated Harrisburg, PA 17105-3608
DIMENSIONS: mm		CHK S.BRINSER 19 AUG 96	
TOLERANCES UNLESS OTHERWISE SPECIFIED:		APVD S.BRINSER 19 AUG 96	
0 PLC ±- 1 PLC ±- 2 PLC ±0.10 3 PLC ±- 4 PLC ±- ANGLES ±2°		NAME S.BRINSER	
MATERIAL		PRODUCT SPEC -	SHIELDING HARDWARE, 1 PIECE, ECONOMY, SIZE 1, AMPLIMITE
FINISH		APPLICATION SPEC -	SIZE A2
1 2		WEIGHT -	CAGE CODE 00779
CUSTOMER DRAWING		DRAWING NO C-787593	SCALE 4:1
		SCALE 4:1	SHEET 1 OF 1
			REV C

787593