



Chipsmall Limited consists of a professional team with an average of over 10 year of expertise in the distribution of electronic components. Based in Hongkong, we have already established firm and mutual-benefit business relationships with customers from,Europe,America and south Asia,supplying obsolete and hard-to-find components to meet their specific needs.

With the principle of “Quality Parts,Customers Priority,Honest Operation,and Considerate Service”,our business mainly focus on the distribution of electronic components. Line cards we deal with include Microchip,ALPS,ROHM,Xilinx,Pulse,ON,Everlight and Freescale. Main products comprise IC,Modules,Potentiometer,IC Socket,Relay,Connector.Our parts cover such applications as commercial,industrial, and automotives areas.

We are looking forward to setting up business relationship with you and hope to provide you with the best service and solution. Let us make a better world for our industry!



Contact us

Tel: +86-755-8981 8866 Fax: +86-755-8427 6832

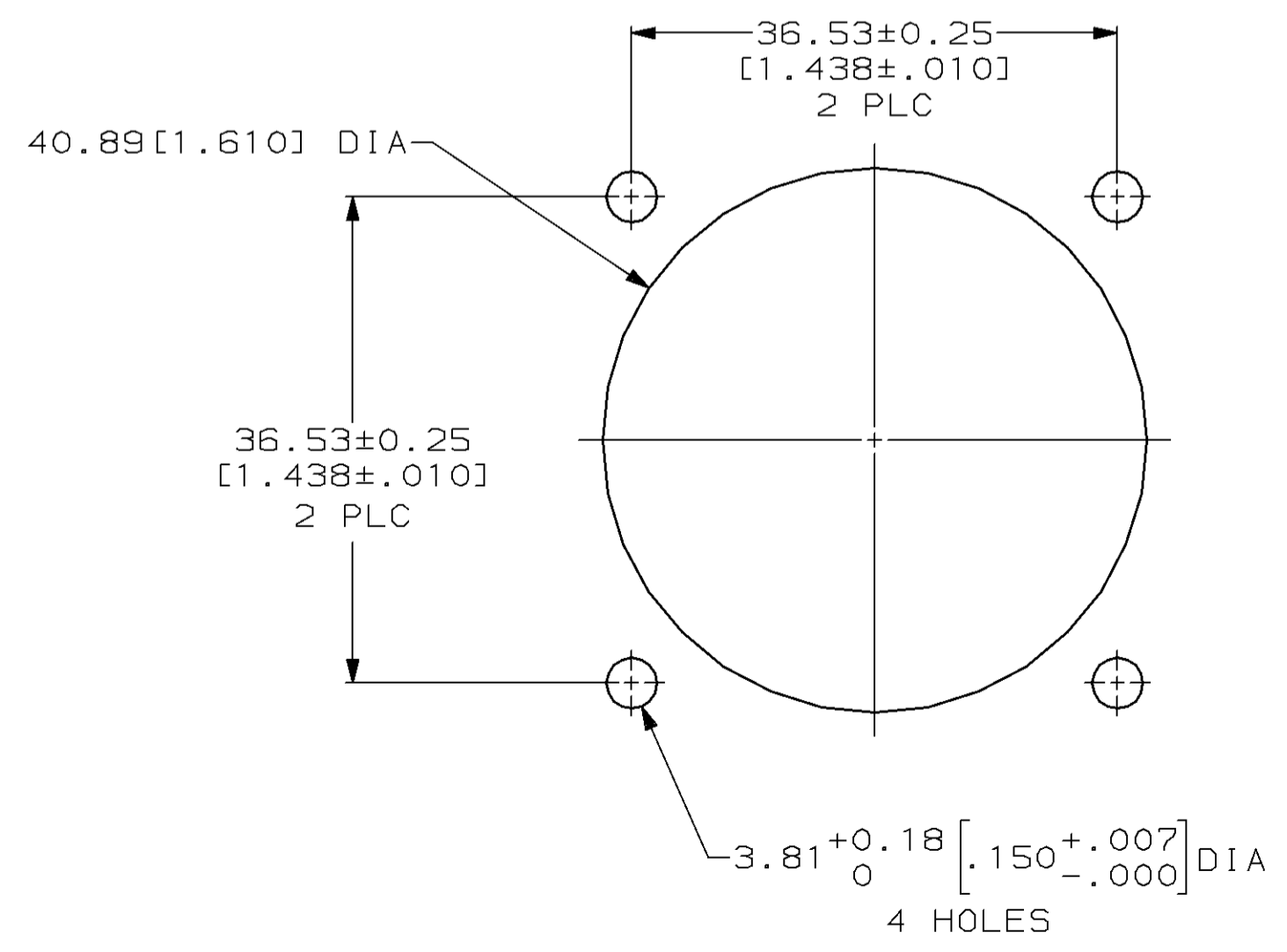
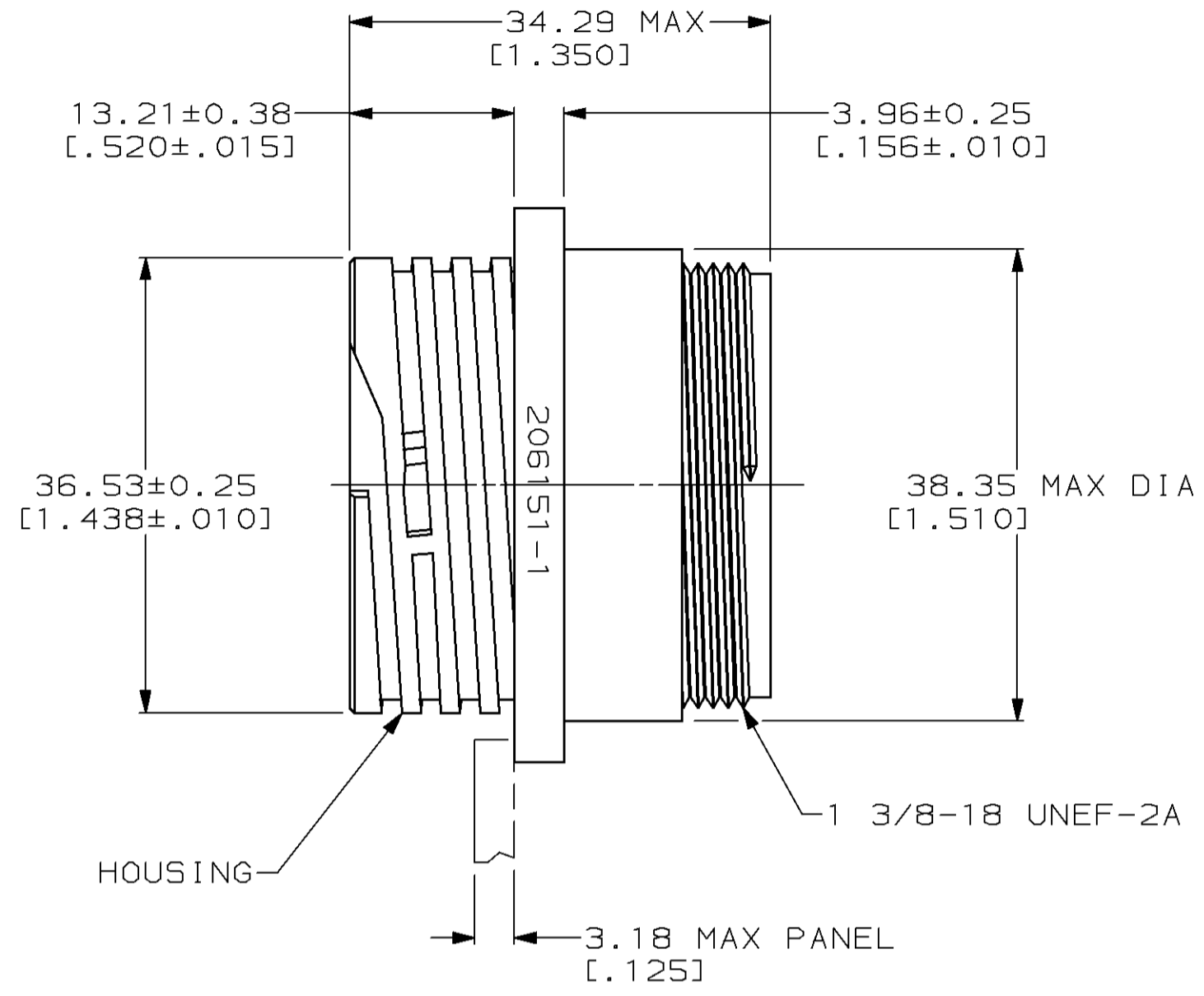
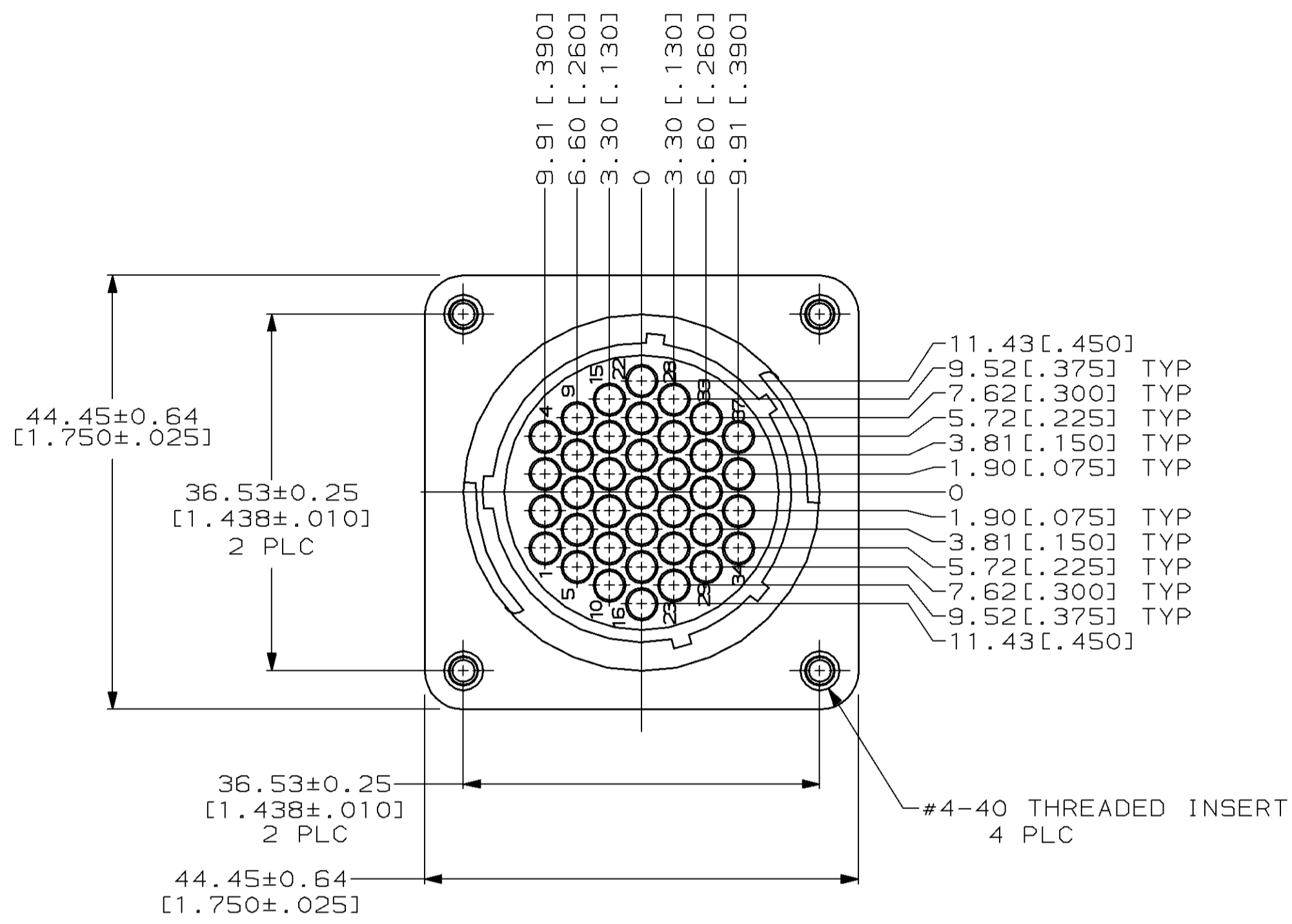
Email & Skype: info@chipsmall.com Web: www.chipsmall.com

Address: A1208, Overseas Decoration Building, #122 Zhenhua RD., Futian, Shenzhen, China



THIS DRAWING IS UNPUBLISHED. RELEASED FOR PUBLICATION
 BY AMP INCORPORATED. ALL RIGHTS RESERVED.

REVISIONS				DATE	DWN	APVD
P	LTR	DESCRIPTION				
0		RELEASED -1 PER NPR 5423 WAS 95-5029-3-1	06 OCT 95	-	-	-



- 1. HOUSING: NYLON, BLACK.
#4-40 THREADED INSERTS: BRASS.
- 2. CAVITY IDENTIFICATION ON FRONT AND REAR FACES.
- 3. CONNECTOR WILL ACCEPT 37 MULTIMATE PIN CONTACTS.

787610-1
 PART NUMBER

THIS DRAWING IS A CONTROLLED DOCUMENT FOR AMP INCORPORATED. IT IS SUBJECT TO CHANGE AND THE CONTROLLING ENGINEERING ORGANIZATION SHOULD BE CONTACTED FOR THE LATEST REVISION.		DWN K.FOLTZ 06 OCT 95	AMP Incorporated Harrisburg, PA 17105-3608
DIMENSIONS: mm [INCHES]		CHK R.STONE 09 OCT 95	
TOLERANCES UNLESS OTHERWISE SPECIFIED:		APVD R.BYERS 09 OCT 95	NAME
0 PLC ±-		PRODUCT SPEC	RECEPTACLE ASSEMBLY, STANDARD
1 PLC ±-		APPLICATION SPEC	SEX, SIZE 23-37, CPC
2 PLC ±0.13 [0.005]			SIZE
3 PLC ±-			CAGE CODE
4 PLC ±-			DRAWING NO
ANGLES ±-			A2 00779 C=787610
FINISH -		WEIGHT	SCALE
		CUSTOMER DRAWING	2:1 SHEET 1 OF 1 REV 0

787610