



Chipsmall Limited consists of a professional team with an average of over 10 year of expertise in the distribution of electronic components. Based in Hongkong, we have already established firm and mutual-benefit business relationships with customers from,Europe,America and south Asia,supplying obsolete and hard-to-find components to meet their specific needs.

With the principle of “Quality Parts,Customers Priority,Honest Operation,and Considerate Service”,our business mainly focus on the distribution of electronic components. Line cards we deal with include Microchip,ALPS,ROHM,Xilinx,Pulse,ON,Everlight and Freescale. Main products comprise IC,Modules,Potentiometer,IC Socket,Relay,Connector.Our parts cover such applications as commercial,industrial, and automotives areas.

We are looking forward to setting up business relationship with you and hope to provide you with the best service and solution. Let us make a better world for our industry!



Contact us

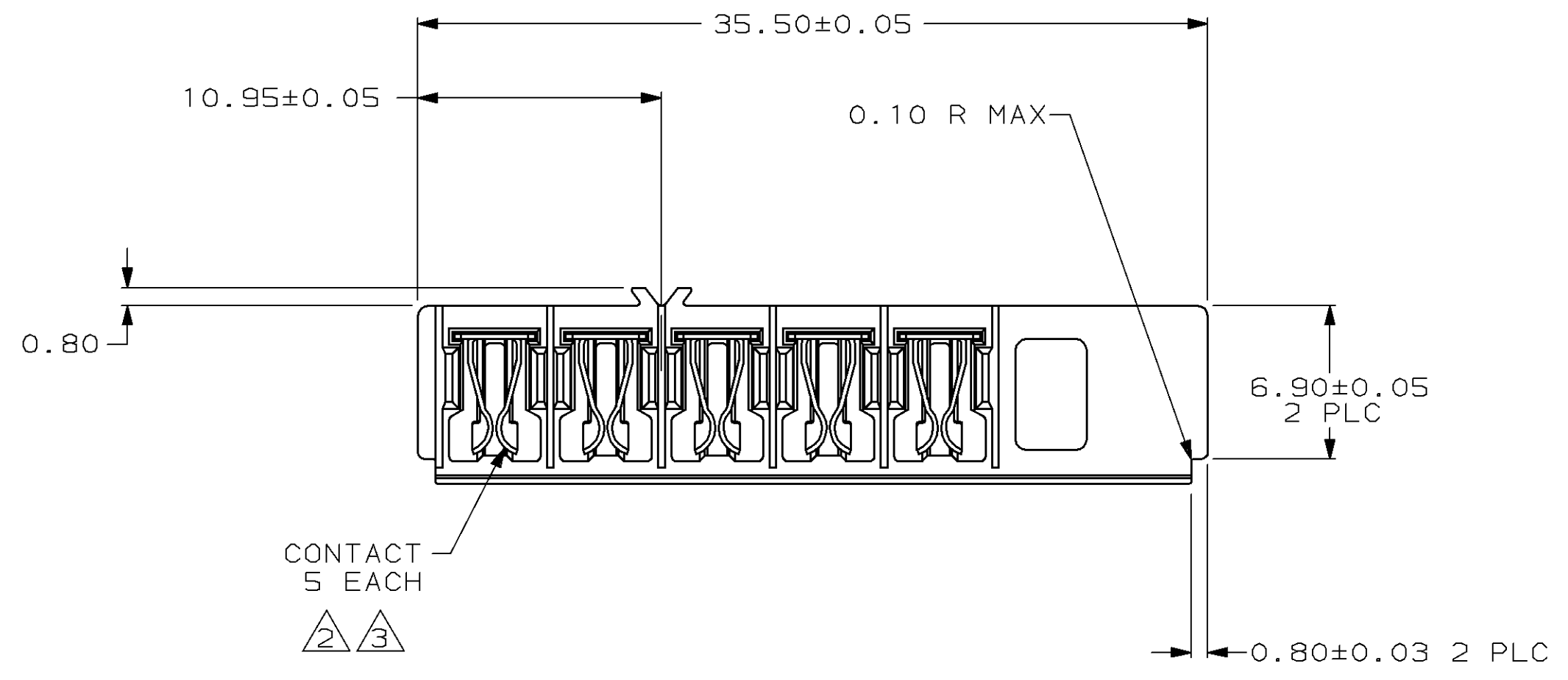
Tel: +86-755-8981 8866 Fax: +86-755-8427 6832

Email & Skype: info@chipsmall.com Web: www.chipsmall.com

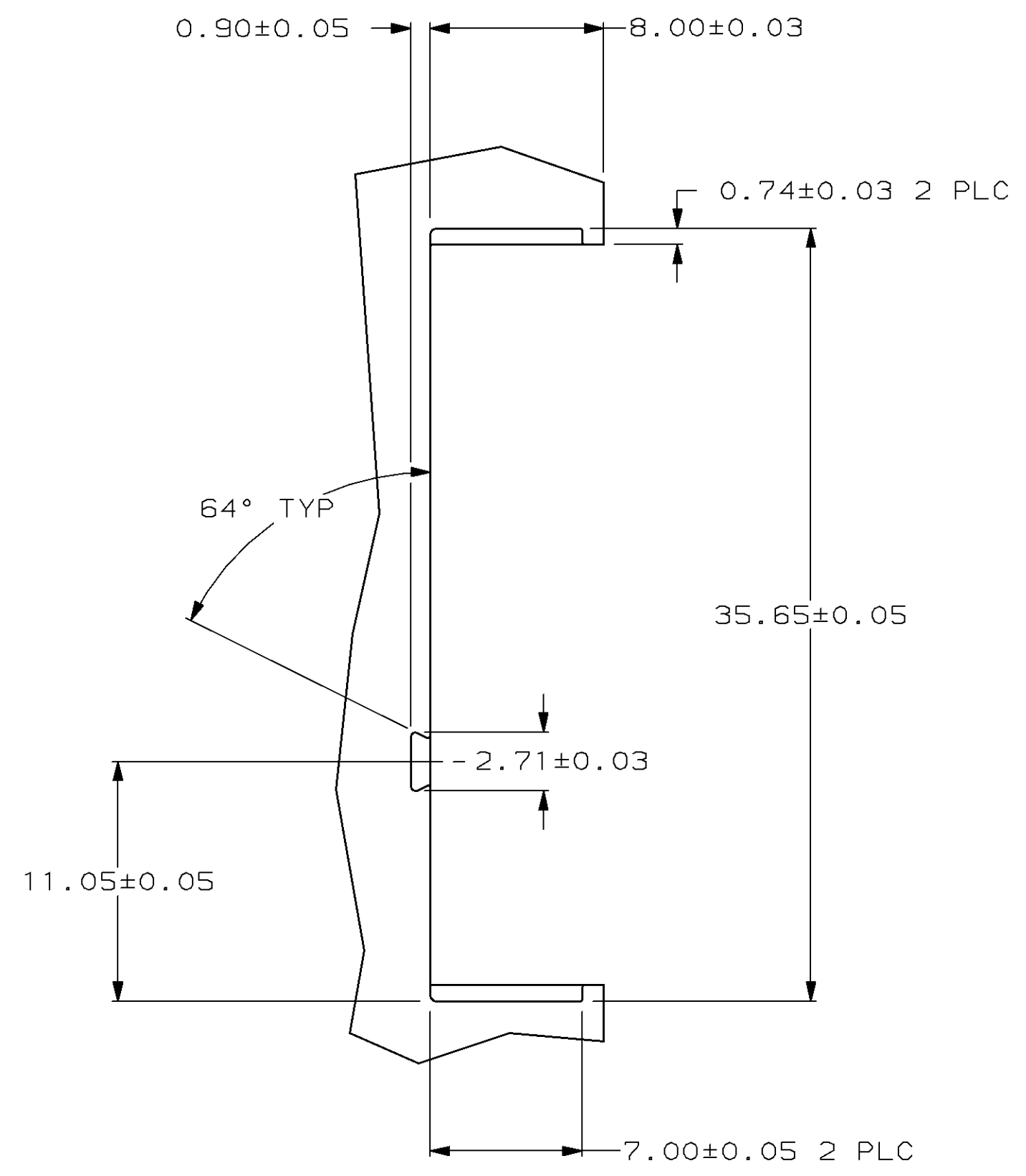
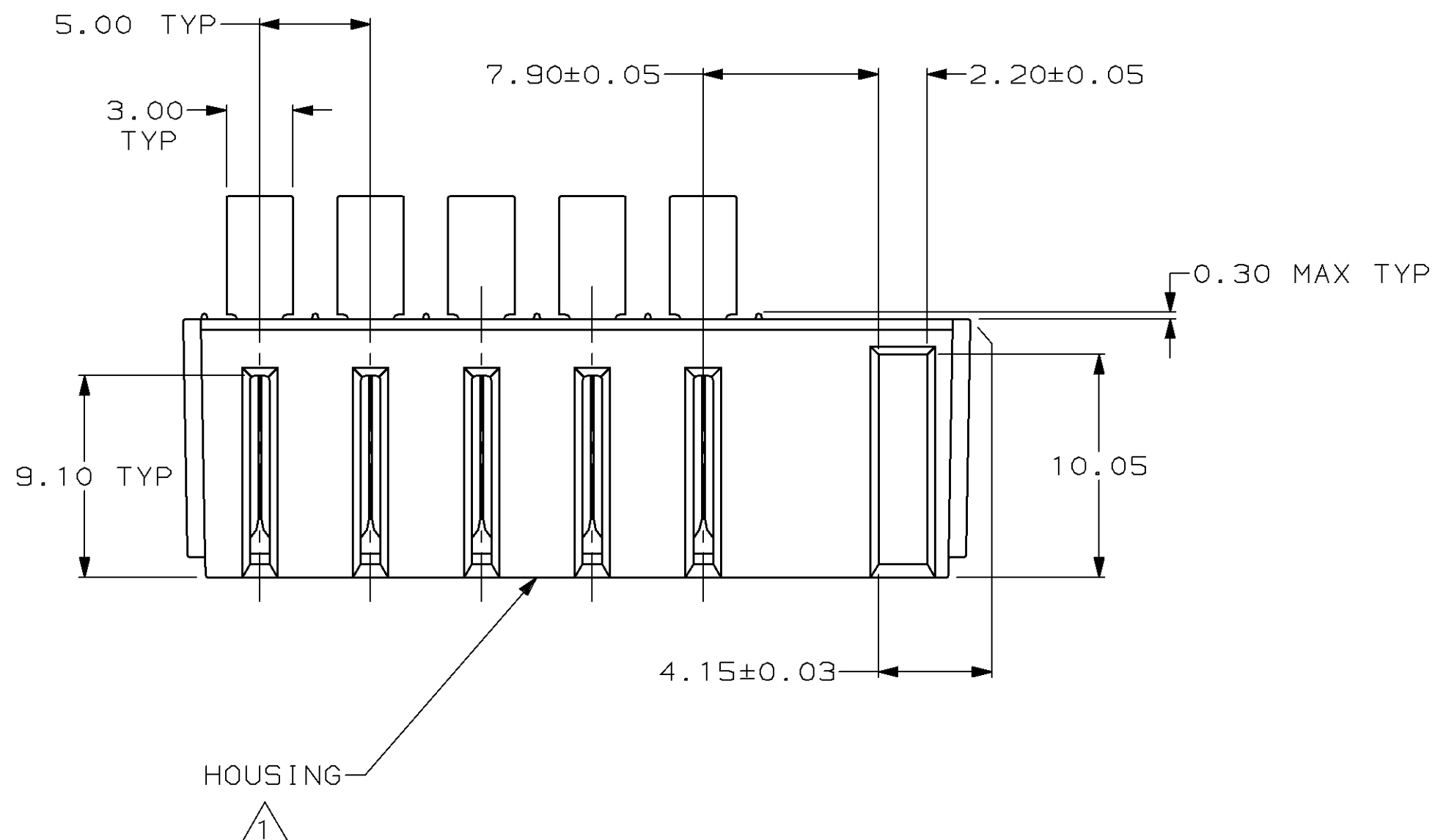
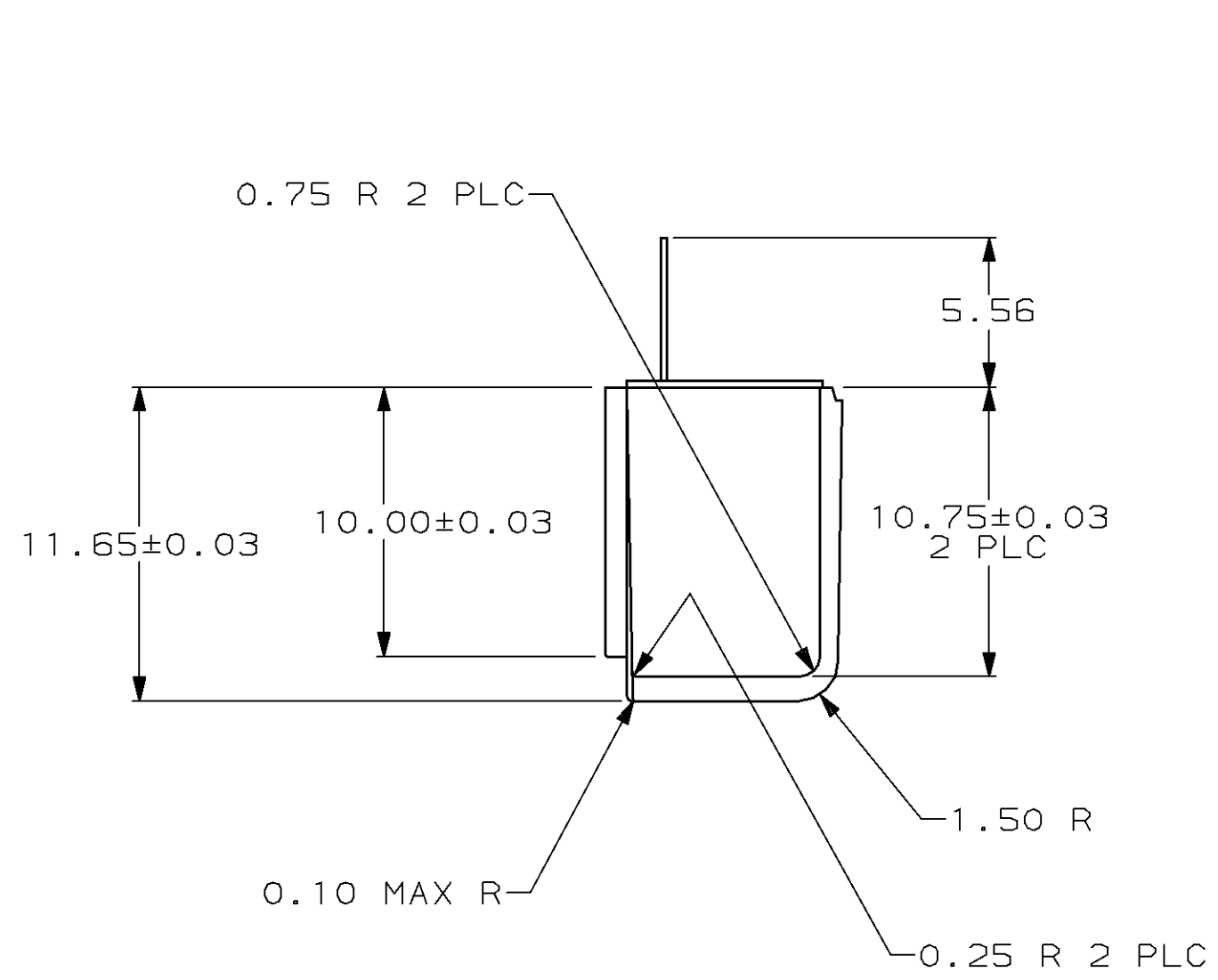
Address: A1208, Overseas Decoration Building, #122 Zhenhua RD., Futian, Shenzhen, China



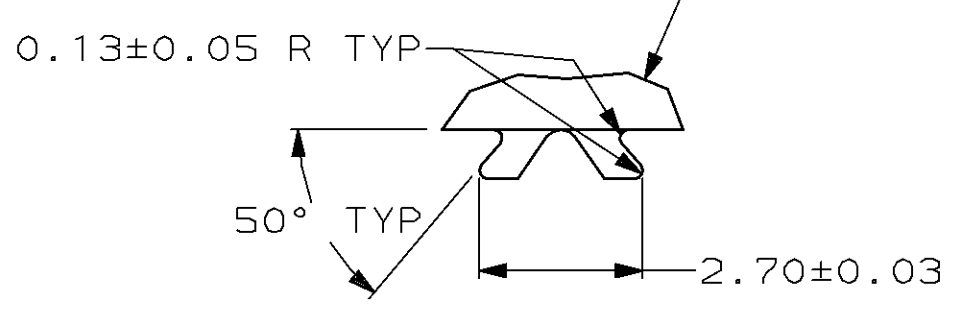
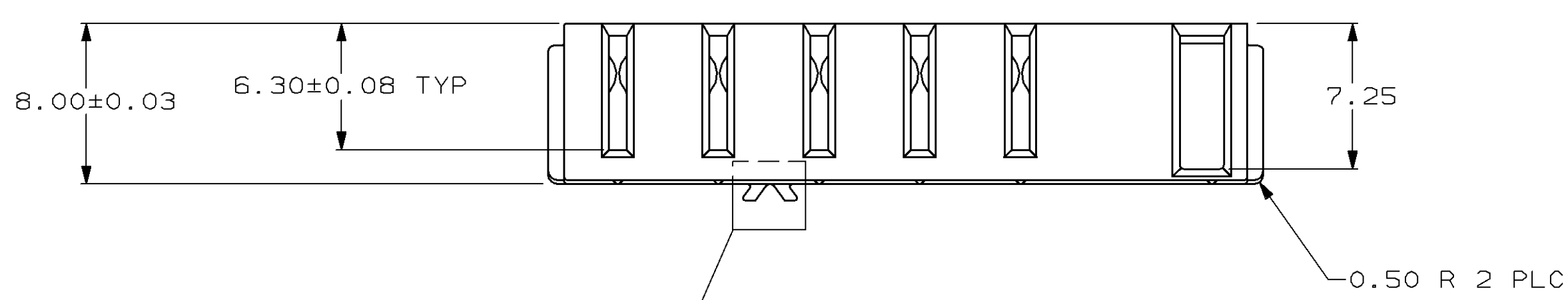
LOC		DIST		REVISIONS			
BD	39	P	LTR	DESCRIPTION	DATE	DWN	APVD
		0		RLSE -1 PRE NPR 5430 WAS 95-2258-2-1	10-10-95	RSK	RSK



- ① HOUSING: LEXAN 940, BLACK.
- ② CONTACTS: PHOSPHOR BRONZE.
- ③ FINISH: PRE-NICKEL.



SUGGESTED CAVITY



SCALE 8:1

787614-1
PART NO

<small>THIS DRAWING IS A CONTROLLED DOCUMENT FOR AMP INCORPORATED. IT IS SUBJECT TO CHANGE AND THE CONTROLLING ENGINEERING DEPARTMENT SHALL BE CONTACTED FOR THE LATEST REVISION.</small>		DWN R. S. KLINE 10-10-95 CHK R. S. KLINE 10-12-95 APVD R. S. KLINE 10-12-95	AMP AMP Incorporated Harrisburg, PA 17105-3608
DIMENSIONS: mm	TOLERANCES UNLESS OTHERWISE SPECIFIED: 0 PLC ±- 1 PLC ±- 2 PLC ±0.13 3 PLC ±- 4 PLC ±- ANGLES ±2°	NAME R. S. KLINE PRODUCT SPEC APPLICATION SPEC	NAME INSERT ASSEMBLY, 5 POSN, DOVETAIL LOCATOR, 10.8V KEY SLOT, BATTERY INTERCONNECT
MATERIAL SEE CALLOUTS	FINISH SEE CALLOUTS	WEIGHT -	SIZE A1 CAGE CODE 00779 DRAWING NO 787614 SCALE 4:1 SHEET 1 OF 1 REV 0
CUSTOMER DRAWING			