



Chipsmall Limited consists of a professional team with an average of over 10 year of expertise in the distribution of electronic components. Based in Hongkong, we have already established firm and mutual-benefit business relationships with customers from,Europe,America and south Asia,supplying obsolete and hard-to-find components to meet their specific needs.

With the principle of "Quality Parts,Customers Priority,Honest Operation,and Considerate Service",our business mainly focus on the distribution of electronic components. Line cards we deal with include Microchip,ALPS,ROHM,Xilinx,Pulse,ON,Everlight and Freescale. Main products comprise IC,Modules,Potentiometer,IC Socket,Relay,Connector.Our parts cover such applications as commercial,industrial, and automotives areas.

We are looking forward to setting up business relationship with you and hope to provide you with the best service and solution. Let us make a better world for our industry!



## Contact us

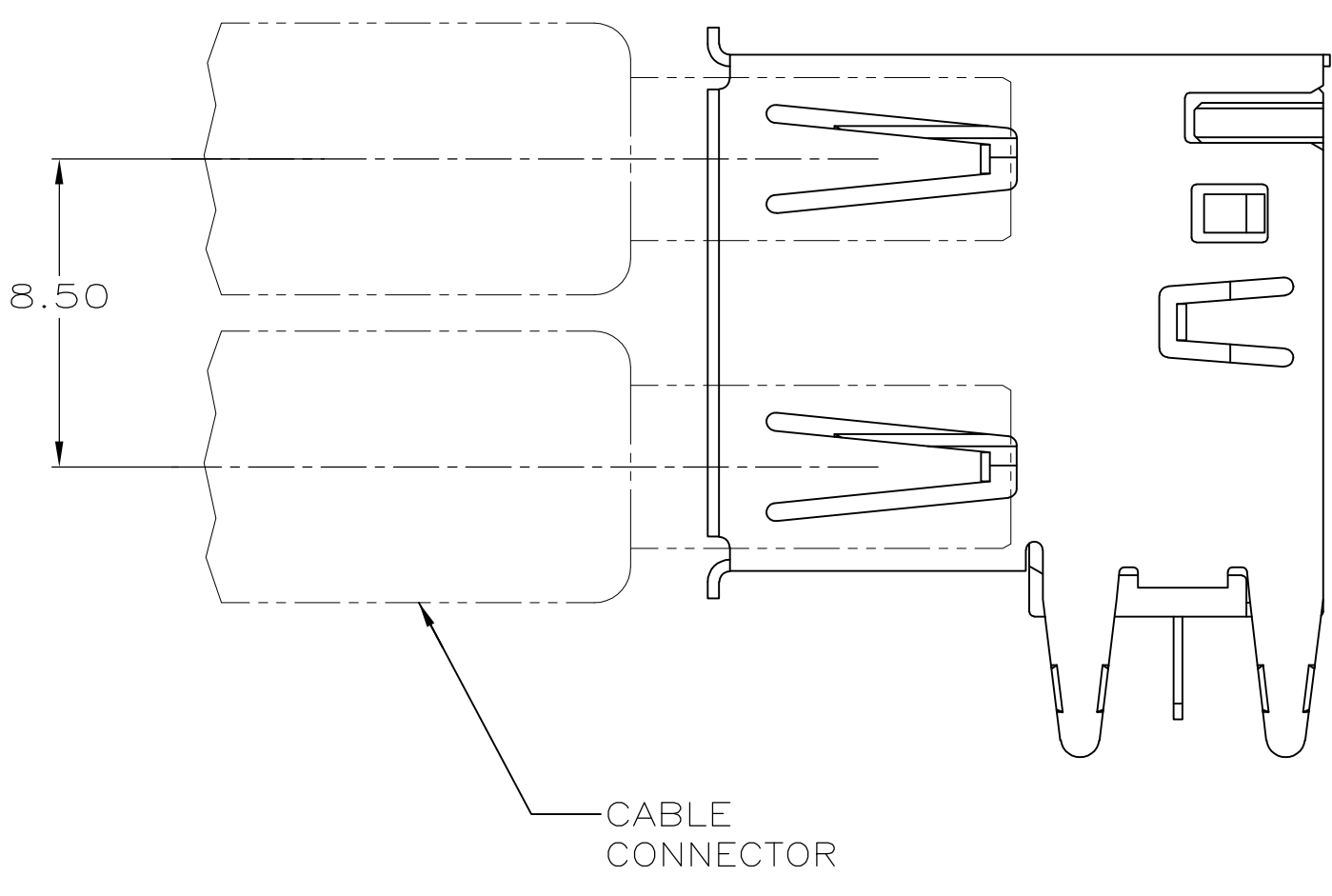
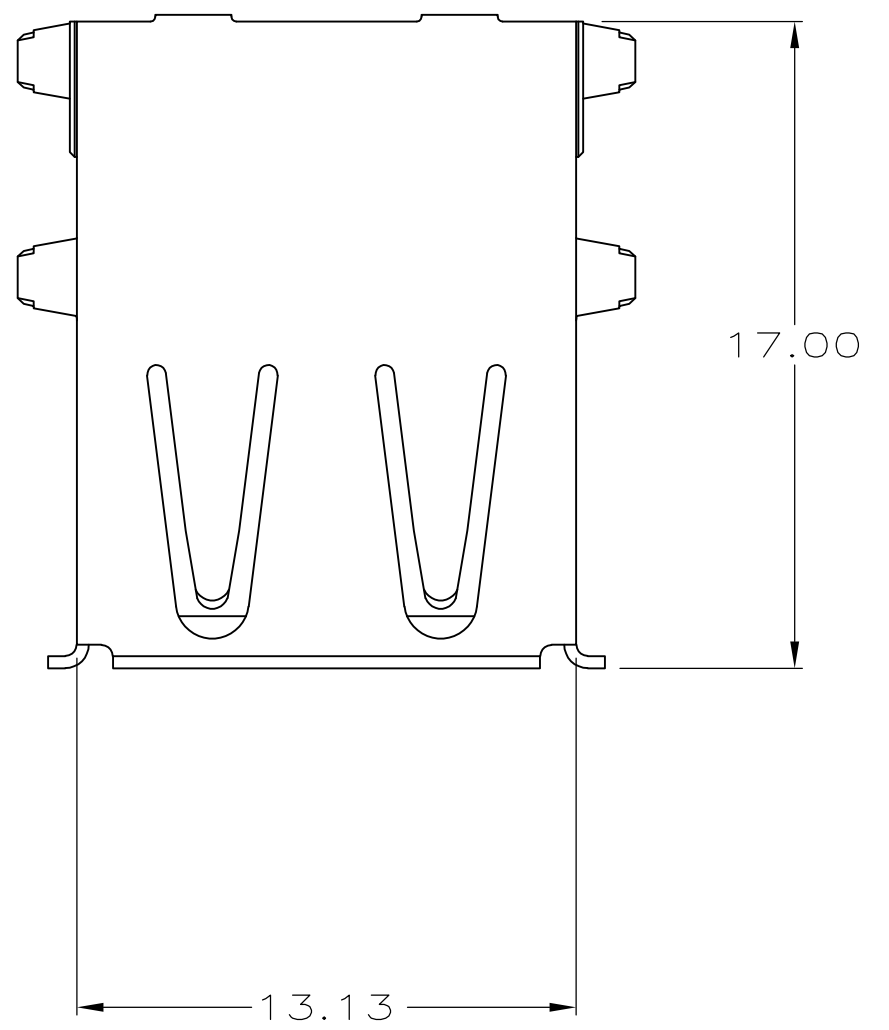
Tel: +86-755-8981 8866 Fax: +86-755-8427 6832

Email & Skype: info@chipsmall.com Web: www.chipsmall.com

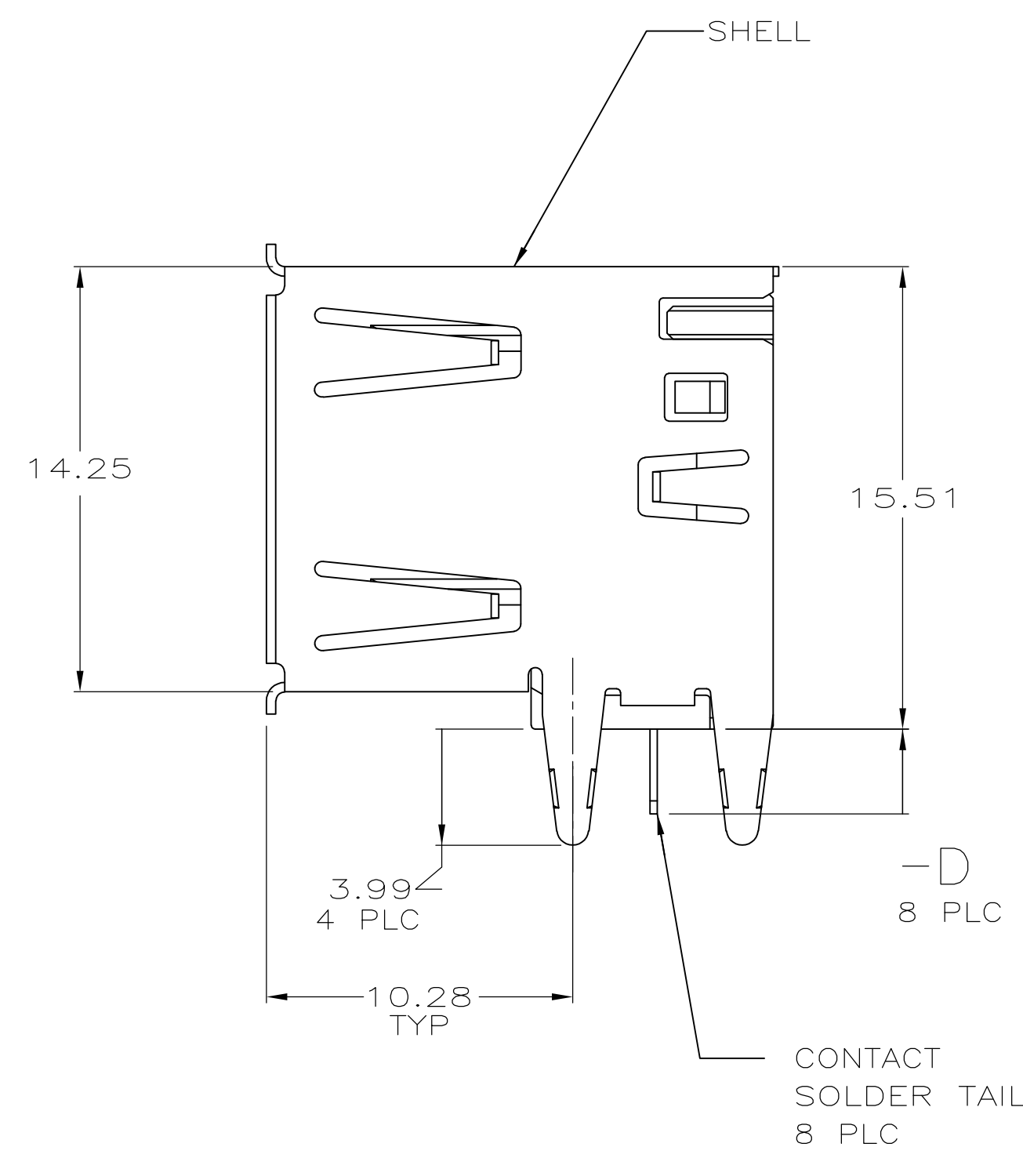
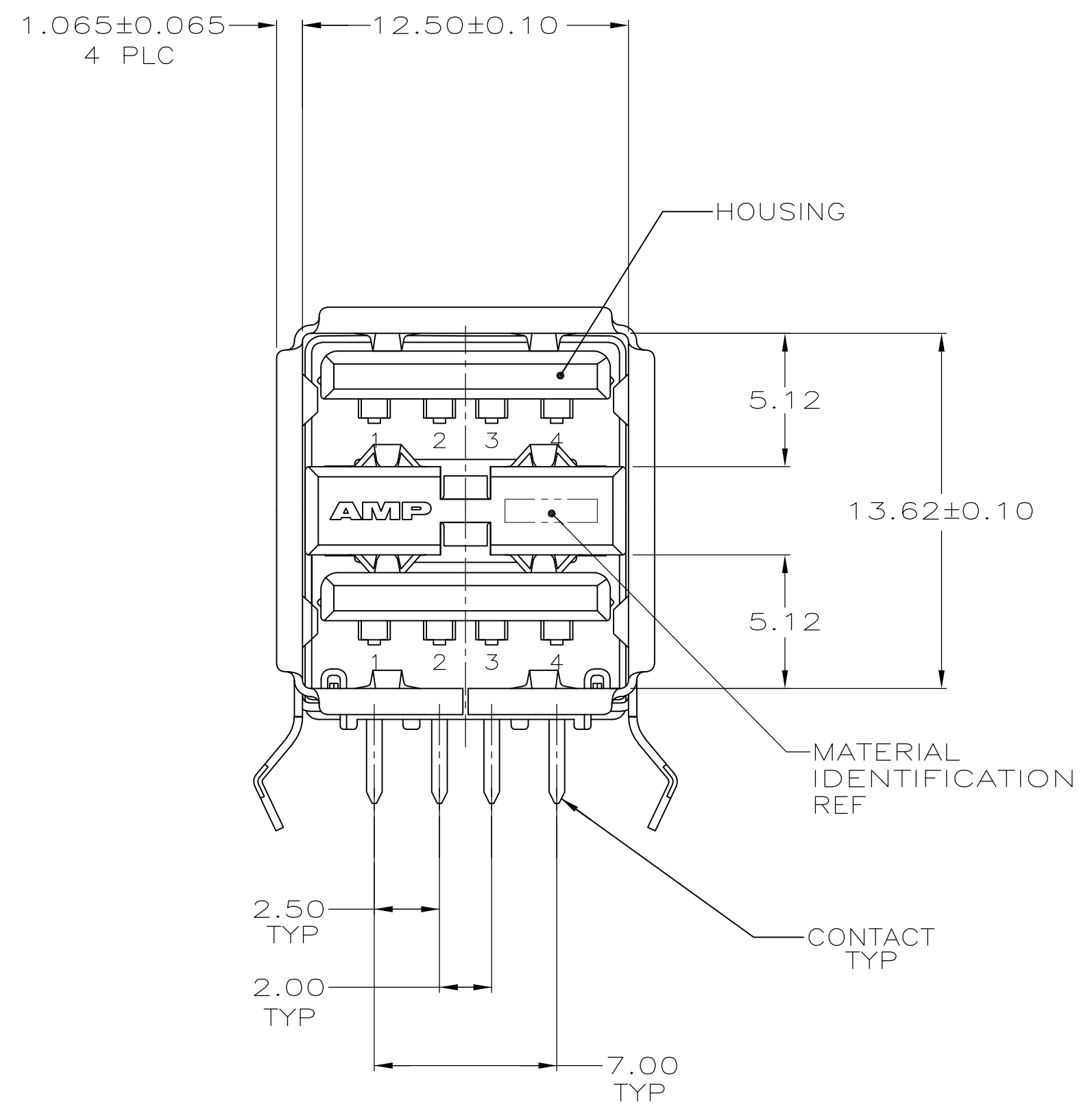
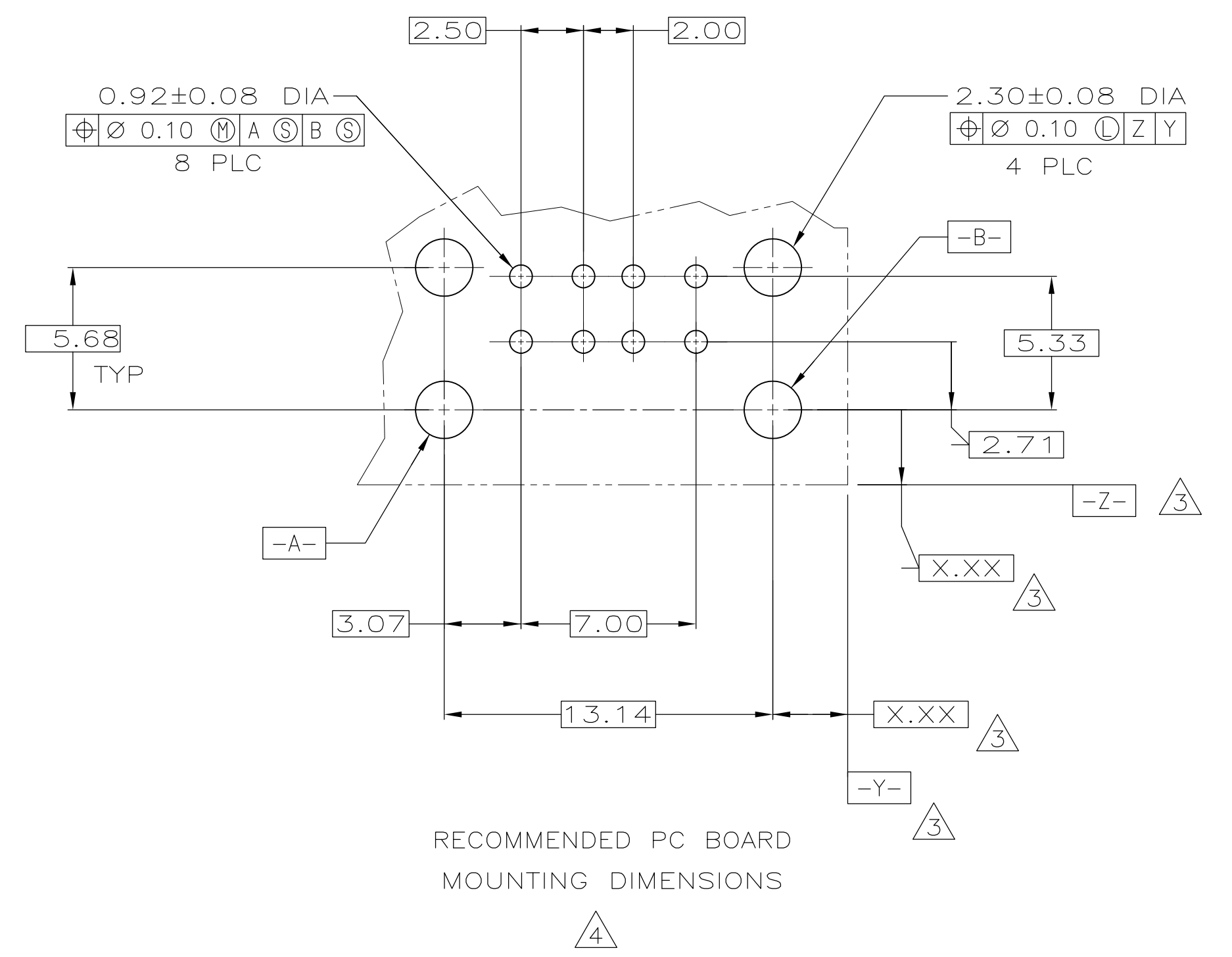
Address: A1208, Overseas Decoration Building, #122 Zhenhua RD., Futian, Shenzhen, China



LOC	DIST	REVISIONS			
P	LTR	DESCRIPTION	DATE	DWN	APVD
J	00				
P		REVISED ECR-08-032553	23DEC08	AZ	SY



- ⚠ MATERIAL:  
SHELL & CONTACTS- COPPER ALLOY.  
HOUSING- UL 94V-0 RATED, THERMOPLASTIC, SEE TABLE.
- ⚠ PLATING:  
CONTACTS- 0.076μm MINIMUM GOLD OVER 0.76μm MINIMUM PALLADIUM-NICKEL ON MATING AREA. OR CONTACT ALTRENATE PLATING 0.76μm MINIMUM GOLD ON MATING AREA.  
3.80μm MINIMUM TIN-LEAD ON SOLDER TAILS.  
BOTH OVER 1.27μm MINIMUM NICKEL.  
SHELL: 5.10μm MINIMUM BRIGHT TIN OVER 2.50μm MINIMUM COPPER.
- ⚠ DATUM AND BASIC DIMENSIONS ESTABLISHED BY CUSTOMER.
- ⚠ RECOMMENDED PC BOARD THICKNESS OF 1.57.
- ⚠ PLATING:  
CONTACTS- 0.127μm MINIMUM GOLD ON MATING AREA, 3.80μm MINIMUM TIN-LEAD ON SOLDER TAILS.  
ALL OVER .76μm MINIMUM NICKEL ON ENTIRE CONTACT.  
SHELL: 5.10μm MINIMUM BRIGHT TIN OVER 2.50μm MINIMUM COPPER.
- ⚠ PACKAGED IN TRAYS
- ⚠ PACKAGED IN TUBES



OBSOLETE	⚠	⚠	⚠	NO	2.84±0.25	BLACK	787617-8
	⚠	⚠	⚠	NO	2.84±0.25	BLACK	787617-7
	⚠	⚠	⚠	YES	2.84±0.25	NATURAL	787617-6
OBSOLETE	⚠	⚠	⚠	YES	2.29±0.25	BLACK	787617-5
OBSOLETE	⚠	⚠	⚠	YES	2.84±0.25	BLACK	787617-4
OBSOLETE	⚠	⚠	⚠	NO	2.84±0.25	NATURAL	787617-3
OBSOLETE	⚠	⚠	⚠	NO	2.29±0.25	BLACK	787617-2
OBSOLETE	⚠	⚠	⚠	NO	2.84±0.25	BLACK	787617-1

PACKAGING	PLATING	HIGH TEMPERATURE COMPATIBLE	D	HOUSING COLOR	PART NUMBER

DIMENSIONS:		TOLERANCES UNLESS OTHERWISE SPECIFIED:		DWN M.F. SHIRK 24 MAY 95	
mm	0 PLC ±	1 PLC ±	2 PLC ±0.13	3 PLC ±	4 PLC ±
	ANGLES				
MATERIAL	FINISH	WEIGHT		AMP Incorporated Harrisburg, PA 17105-3608	
⚠	SEE CHART			RECEPTACLE ASSEMBLY, RIGHT ANGLE, STACKED, THRU-HOLE, USB	
				SIZE A1	CAGE CODE 00779
				C=787617	
				SCALE 5:1	SHEET 1 OF 1