



Chipsmall Limited consists of a professional team with an average of over 10 year of expertise in the distribution of electronic components. Based in Hongkong, we have already established firm and mutual-benefit business relationships with customers from,Europe,America and south Asia,supplying obsolete and hard-to-find components to meet their specific needs.

With the principle of “Quality Parts,Customers Priority,Honest Operation,and Considerate Service”,our business mainly focus on the distribution of electronic components. Line cards we deal with include Microchip,ALPS,ROHM,Xilinx,Pulse,ON,Everlight and Freescale. Main products comprise IC,Modules,Potentiometer,IC Socket,Relay,Connector.Our parts cover such applications as commercial,industrial, and automotives areas.

We are looking forward to setting up business relationship with you and hope to provide you with the best service and solution. Let us make a better world for our industry!



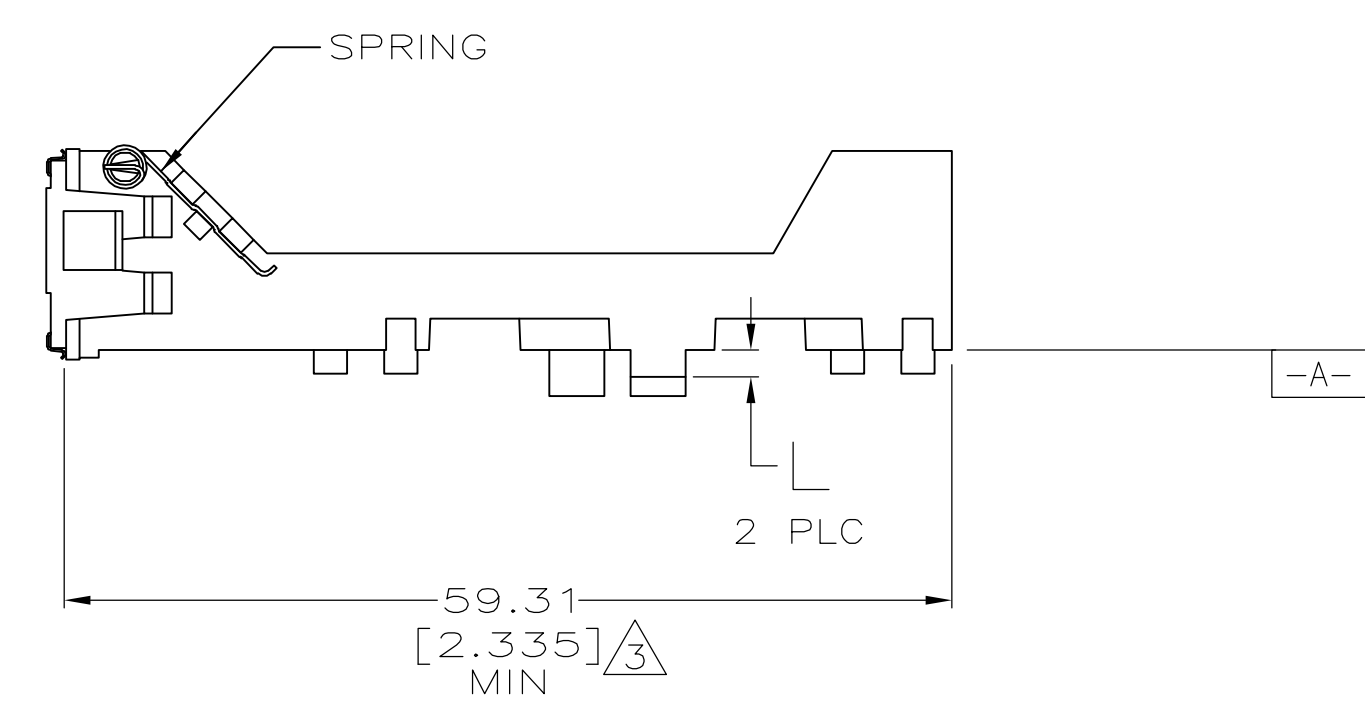
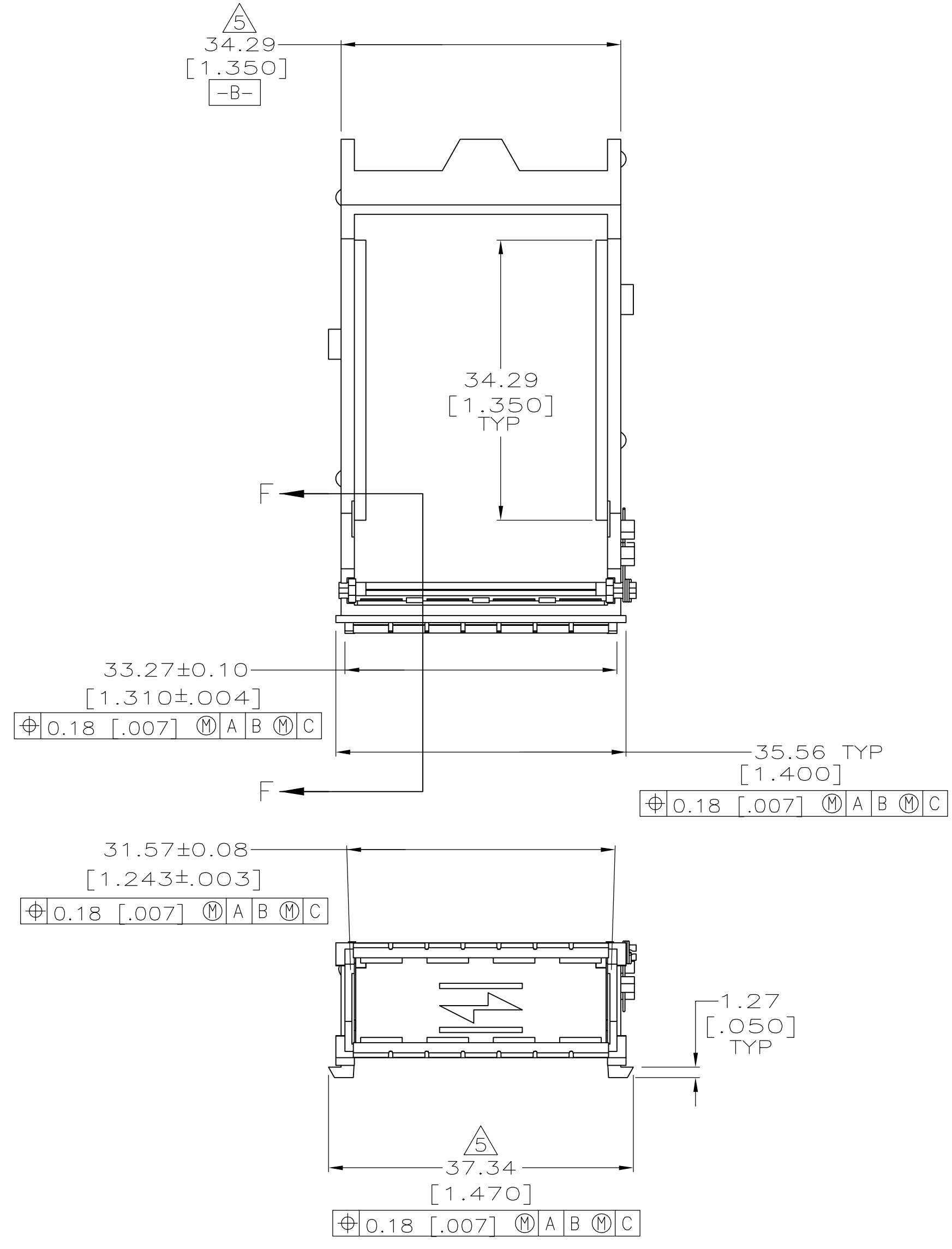
## Contact us

Tel: +86-755-8981 8866 Fax: +86-755-8427 6832

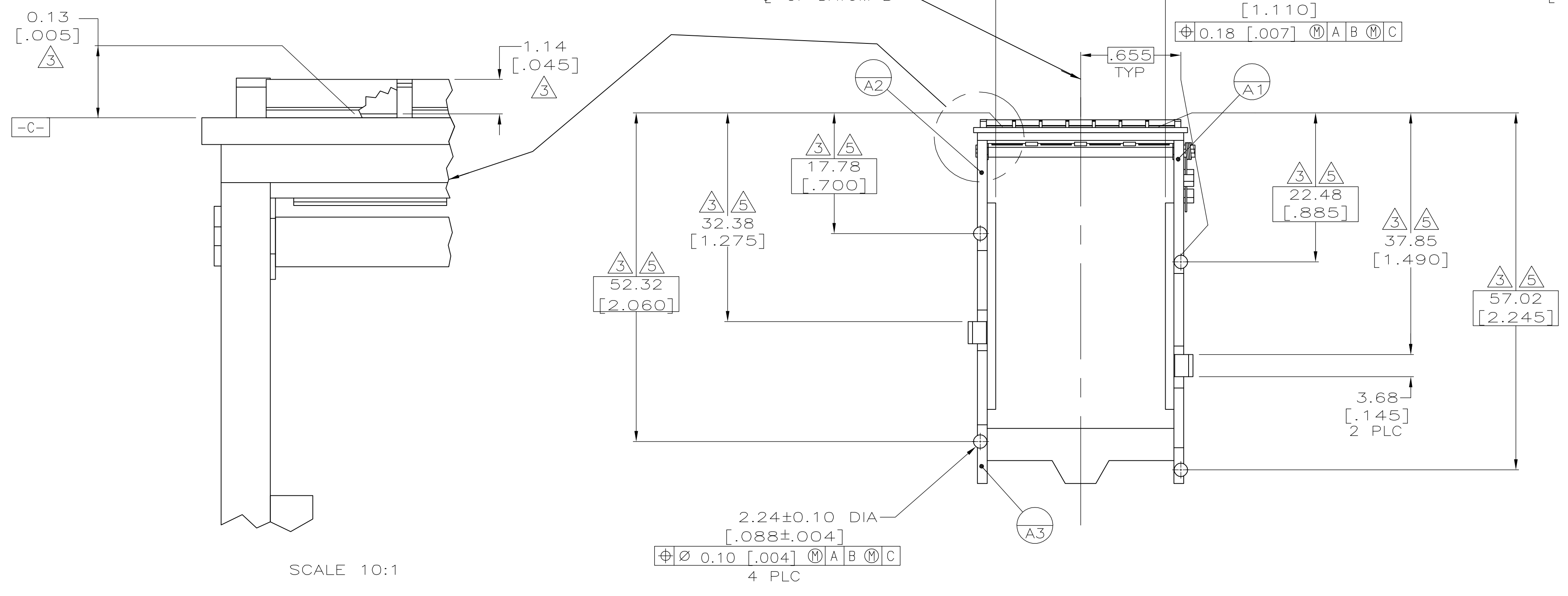
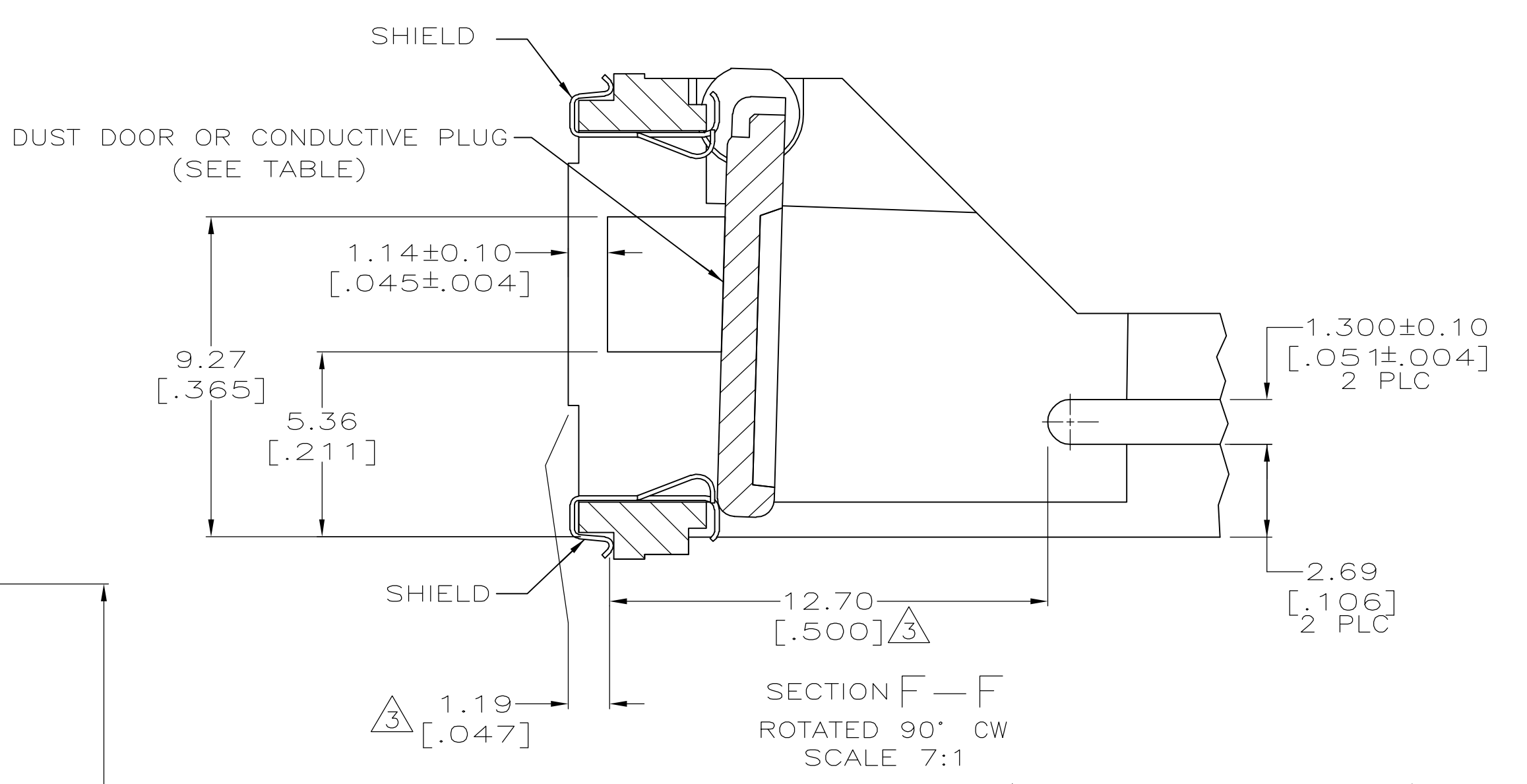
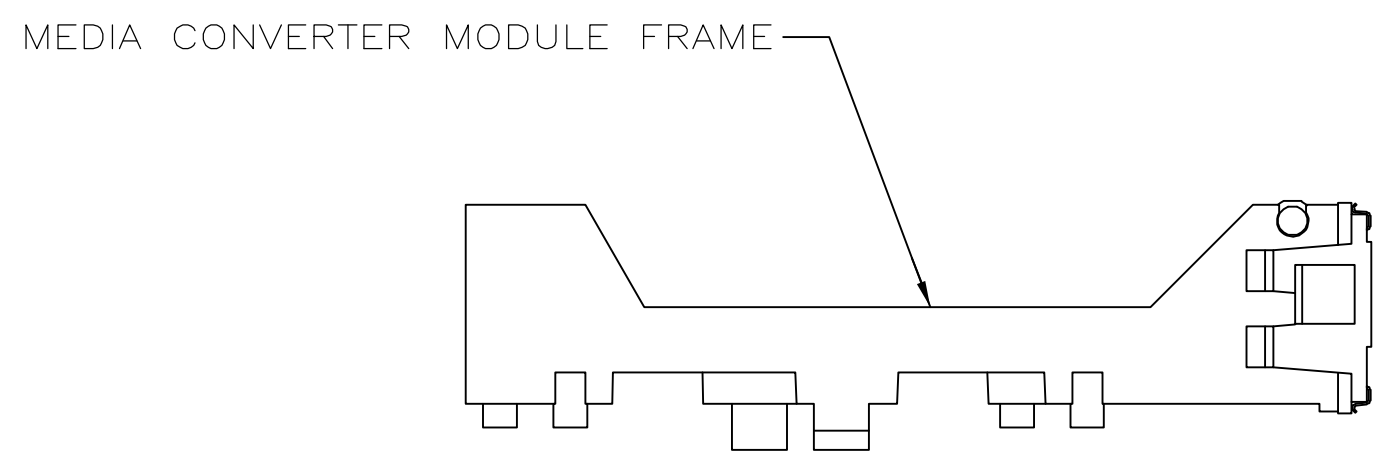
Email & Skype: info@chipsmall.com Web: www.chipsmall.com

Address: A1208, Overseas Decoration Building, #122 Zhenhua RD., Futian, Shenzhen, China





- △ DUST DOOR: ZINC ALLOY (-3,-4,-5), HTN POLYMER (-6,-7,-8).  
 CONDUCTIVE PLUG: ABS (1-2,1-3,1-4).  
 MEDIA CONVERTER MODULE FRAME: NYLON, BLACK.  
 EMI SHIELD: PHOSPHOR BRONZE.  
 SPRING: STAINLESS STEEL.
- △ METAL DUST DOOR: 2.54µm [.000100] MIN NICKEL OVER  
 5.08µm [.000200] MIN COPPER.  
 EMI SHIELD: 1.27µm [.000050] MIN NICKEL.
- △ DIMENSION APPLIES TO FRONT OF SHIELD.
- △ LOWER EDGE OF PANEL OPENING IS 0.15 [.006] BELOW TOP OF PCB FOR HORIZONTAL APPLICATION.
- △ DIMENSION APPLIES WHEN ASSEMBLED TO PRINTED CIRCUIT BOARD.



OBSOLETE	CONDUCTIVE PLUG	2.26±0.05 [.089±.002]	1-787663-4
OBSOLETE	CONDUCTIVE PLUG	2.77±0.05 [.109±.002]	1-787663-3
OBSOLETE	CONDUCTIVE PLUG	1.80±0.05 [.071±.002]	1-787663-2
OBSOLETE	NO DOOR OR PLUG	2.26±0.05 [.089±.002]	1-787663-1
OBSOLETE	NO DOOR OR PLUG	2.77±0.05 [.109±.002]	1-787663-0
OBSOLETE	NO DOOR OR PLUG	1.80±0.05 [.071±.002]	787663-9
OBSOLETE	PLASTIC DOOR	2.26±0.05 [.089±.002]	787663-8
OBSOLETE	PLASTIC DOOR	2.77±0.05 [.109±.002]	787663-7
OBSOLETE	PLASTIC DOOR	1.80±0.05 [.071±.002]	787663-6
	METAL DOOR	2.26±0.05 [.089±.002]	787663-5
	METAL DOOR	2.77±0.05 [.109±.002]	787663-4
	METAL DOOR	1.80±0.05 [.071±.002]	787663-3
OBSOLETE	METAL DOOR	2.77±0.05 [.109±.002]	787663-2
OBSOLETE	METAL DOOR	1.80±0.05 [.071±.002]	787663-1
	DUST DOOR OR CONDUCTIVE PLUG		L
			PART NUMBER

SCALE 10:1

THIS DRAWING IS A CONTROLLED DOCUMENT. DWN: COBERMAN 11 APR 96  
 CHK: R. STONE 15 APR 96  
 APVD: J. SWANK 17 APR 96

**tyco Electronics** Tyco Electronics Corporation  
 Harrisburg, PA 17105-3608

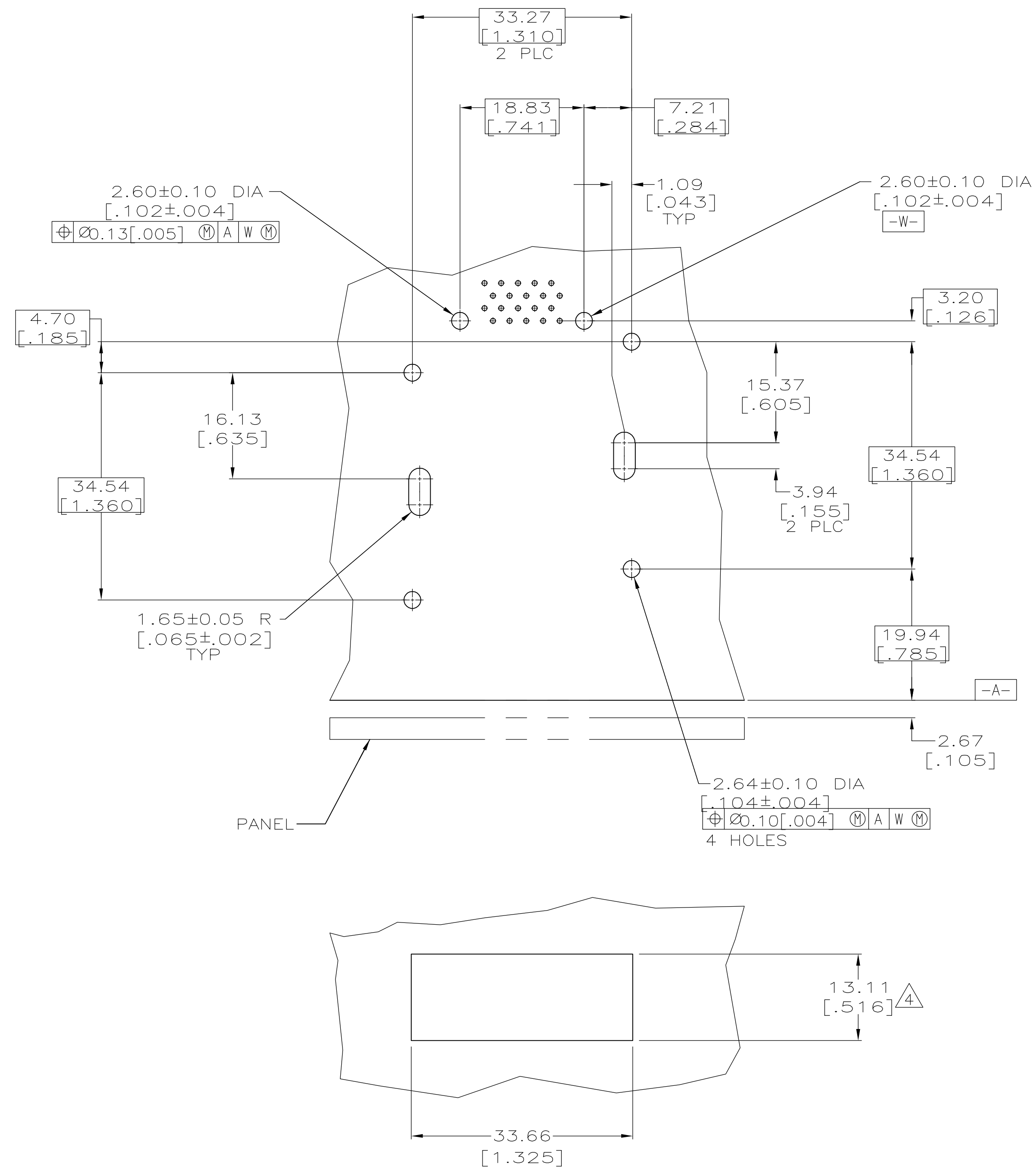
NAME: GUIDE ASSEMBLY, MEDIA CONVERTER MODULE, CHAMP BLINDMATE

DIMENSIONS: mm (INCHES)	TOLERANCES UNLESS OTHERWISE SPECIFIED:	SIZE	CAGE CODE	DRAWING NO	RESTRICTED TO
0 PLC ± -	0.13 [.005]	A1	00779	787663	-
1 PLC ± -	0.13 [.005]				
2 PLC ± -	0.13 [.005]				
3 PLC ± -	0.13 [.005]				
4 PLC ± -	0.13 [.005]				
ANGLES ± -	0.13 [.005]				

CUSTOMER DRAWING SCALE 2:1 SHEET 1 OF 2 REV T1

THIS DRAWING IS UNPUBLISHED. RELEASED FOR PUBLICATION  
 © COPYRIGHT BY TYCO ELECTRONICS CORPORATION. ALL RIGHTS RESERVED.

LOC		DIST		REVISIONS				
P	LTR	DATE	DWN	APVD	DESCRIPTION	DATE	DWN	APVD
GP	00				SEE SHEET 1			



RECOMMENDED HOST CARD FOOTPRINT/PANEL CUTOUT

THIS DRAWING IS A CONTROLLED DOCUMENT.		DWN C.OBERMAN 11 APR 96	 Tyco Electronics Corporation Harrisburg, PA 17105-3608
DIMENSIONS: mm [INCHES]		CHK R.STONE 15 APR 96	
TOLERANCES UNLESS OTHERWISE SPECIFIED:		APVD J.SWANK 17 APR 96	NAME
0 PLC ± -	1 PLC ± -	PRODUCT SPEC	GUIDE ASSEMBLY, MEDIA
2 PLC ± 0.13 [.005]	3 PLC ± -	APPLICATION SPEC	CONVERTER MODULE, CHAMP BLINDMATE
4 PLC ± -	ANGLES ± -	WEIGHT	RESTRICTED TO
MATERIAL	FINISH	SIZE A1	CAGE CODE 00779
CUSTOMER DRAWING		DRAWING NO C=787663	REV T1
SCALE 2:1		SHEET 2 OF 2	