



Chipsmall Limited consists of a professional team with an average of over 10 year of expertise in the distribution of electronic components. Based in Hongkong, we have already established firm and mutual-benefit business relationships with customers from,Europe,America and south Asia,supplying obsolete and hard-to-find components to meet their specific needs.

With the principle of “Quality Parts,Customers Priority,Honest Operation,and Considerate Service”,our business mainly focus on the distribution of electronic components. Line cards we deal with include Microchip,ALPS,ROHM,Xilinx,Pulse,ON,Everlight and Freescale. Main products comprise IC,Modules,Potentiometer,IC Socket,Relay,Connector.Our parts cover such applications as commercial,industrial, and automotives areas.

We are looking forward to setting up business relationship with you and hope to provide you with the best service and solution. Let us make a better world for our industry!



## Contact us

Tel: +86-755-8981 8866 Fax: +86-755-8427 6832

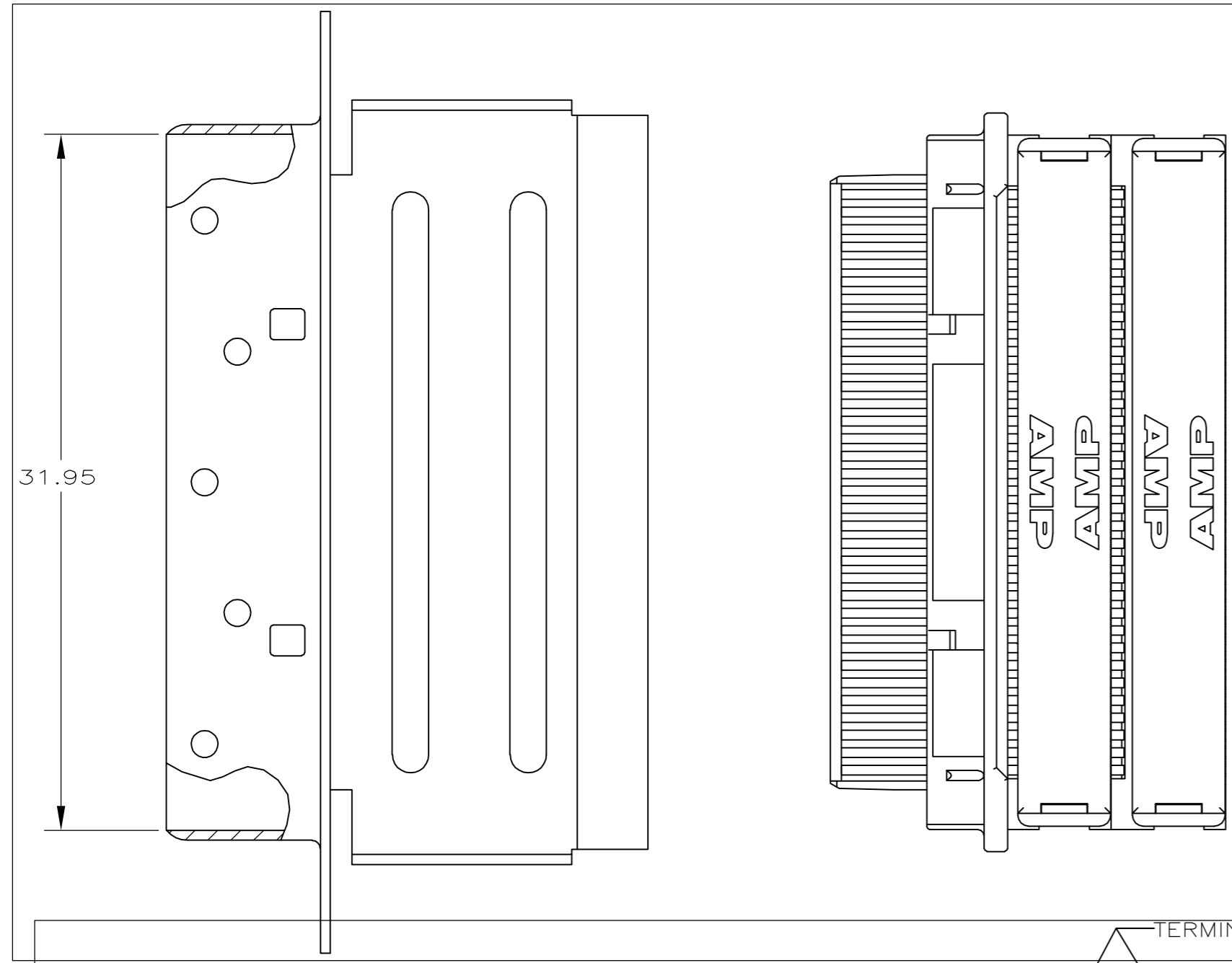
Email & Skype: info@chipsmall.com Web: www.chipsmall.com

Address: A1208, Overseas Decoration Building, #122 Zhenhua RD., Futian, Shenzhen, China

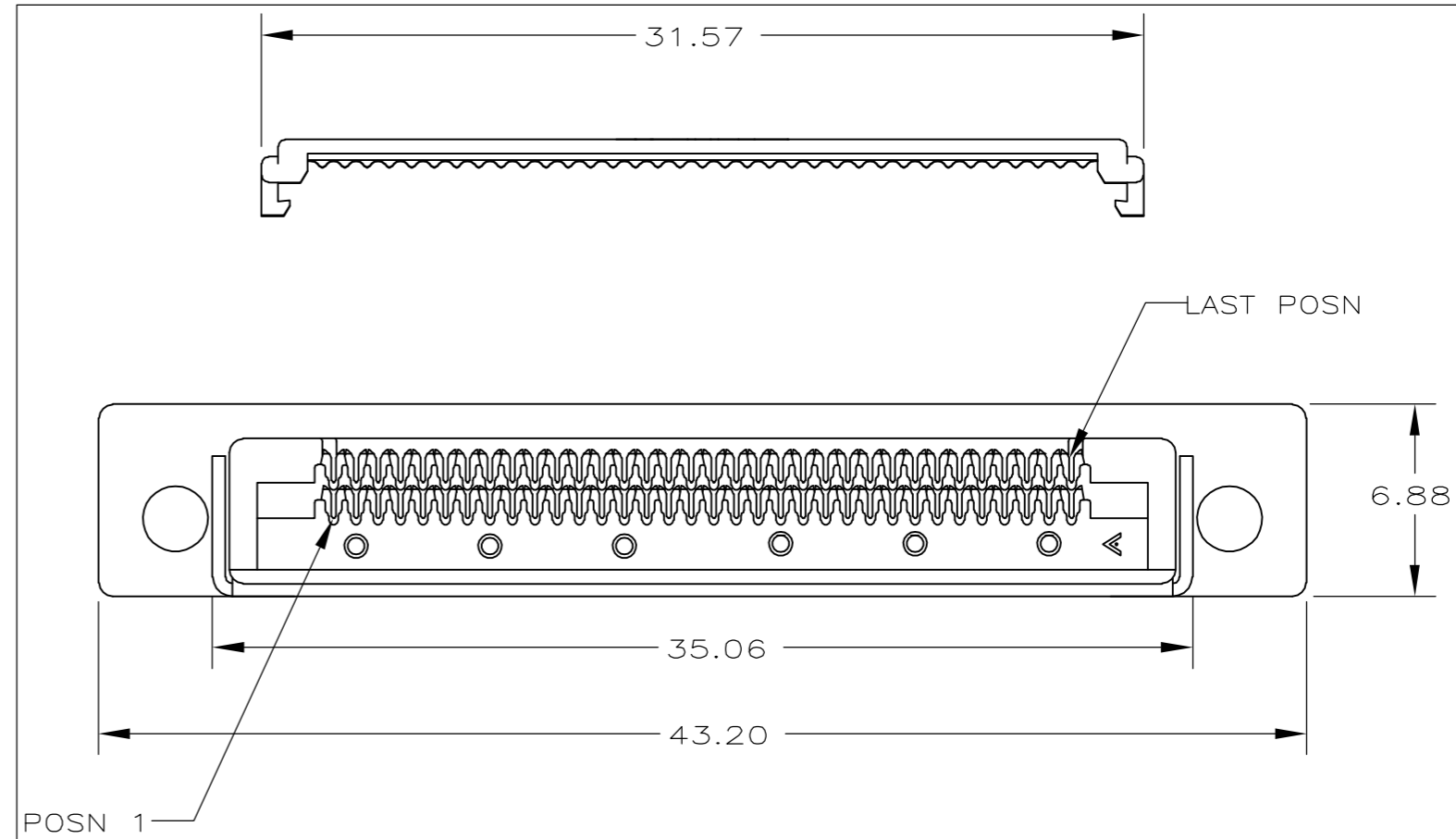
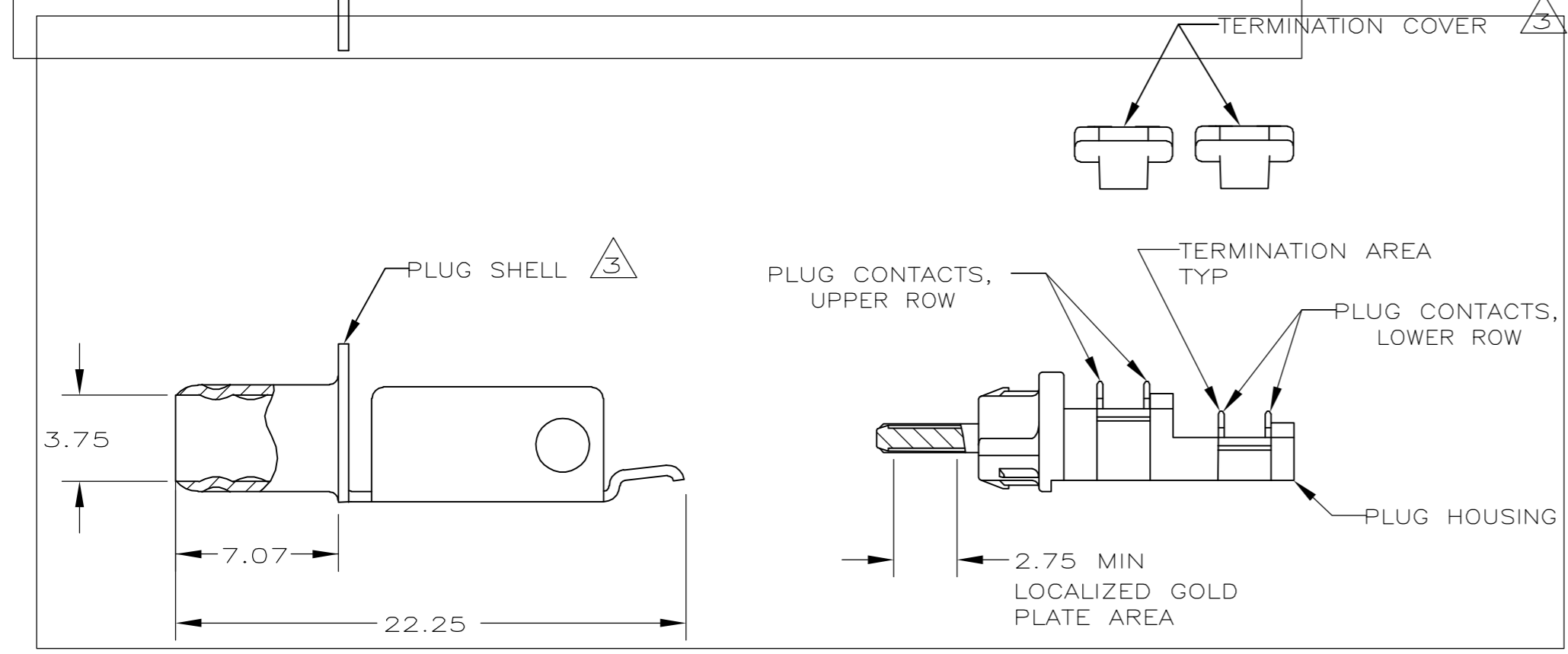


THIS DRAWING IS UNPUBLISHED. RELEASED FOR PUBLICATION  
 © COPYRIGHT 20 BY TYCO ELECTRONICS CORPORATION. ALL RIGHTS RESERVED.

LOC	DIST	REVISIONS					
GP	00	P	LTR	DESCRIPTION	DATE	DWN	APVD
		C1		REVISED PER ECO-06-012000	24AUG06	JRP	SS



- 1 MATERIAL:  
 PLUG CONTACTS - PHOSPHOR BRONZE.  
 PLUG SHELL - CARBON STEEL.  
 PLUG HOUSING - LCP, NATURAL, RATED UL 94V-0.  
 TERMINATION COVERS - LCP, BLACK, RATED UL 94V-0.
- 2 PLATING:  
 PLUG CONTACTS - 0.76µm MINIMUM GOLD PLATE IN LOCALIZED GOLD PLATE AREA, 1.27µm MINIMUM TIN-LEAD PLATE IN TERMINATION AREA, ALL OVER 1.27µm MINIMUM NICKEL.  
 PLUG SHELL - 5.08µm MINIMUM NICKEL OVER 1.27µm MINIMUM COPPER.
- 3 TERMINATION COVERS AND PLUG SHELL ARE PACKAGED UNASSEMBLED.
- 4. RECOMMENDED WIRE: 30 AWG WITH A 0.56-0.64 INSULATION DIAMETER, WIRE MUST BE APPROVED BY AMP ENGINEERING.



787775-1  
PART NUMBER

THIS DRAWING IS A CONTROLLED DOCUMENT.		DWN T.SHUEY 08MAR05	 Tyco Electronics Corporation Harrisburg, Pa 17105-3608	NAME	
DIMENSIONS: mm		CHK J.GERACE 08MAR05		PRODUCT SPEC	
TOLERANCES UNLESS OTHERWISE SPECIFIED:		APVD M.WALMSLEY 08MAR05		APPLICATION SPEC	
0 PLC ± - 1 PLC ± - 2 PLC ± 0.13 3 PLC ± - 4 PLC ± - ANGLES ± - FINISH		108-1471 WEIGHT - CUSTOMER DRAWING		SIZE A2 CAGE CODE 00779 DRAWING NO C=787775 RESTRICTED TO -	SCALE 4:1
MATERIAL		SCALE 4:1		SHEET 1 OF 1	
1		2		REV C1	