



Chipsmall Limited consists of a professional team with an average of over 10 year of expertise in the distribution of electronic components. Based in Hongkong, we have already established firm and mutual-benefit business relationships with customers from,Europe,America and south Asia,supplying obsolete and hard-to-find components to meet their specific needs.

With the principle of “Quality Parts,Customers Priority,Honest Operation,and Considerate Service”,our business mainly focus on the distribution of electronic components. Line cards we deal with include Microchip,ALPS,ROHM,Xilinx,Pulse,ON,Everlight and Freescale. Main products comprise IC,Modules,Potentiometer,IC Socket,Relay,Connector.Our parts cover such applications as commercial,industrial, and automotives areas.

We are looking forward to setting up business relationship with you and hope to provide you with the best service and solution. Let us make a better world for our industry!



Contact us

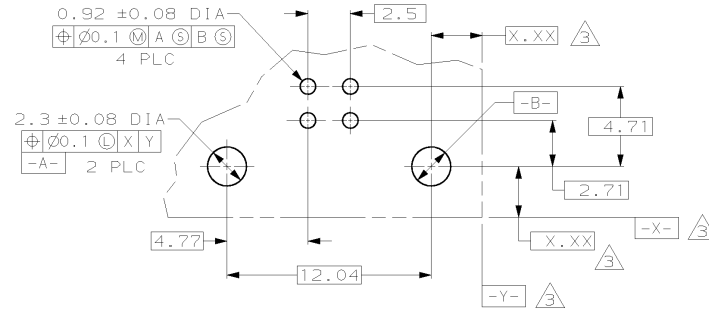
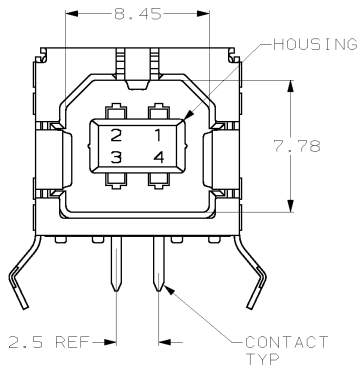
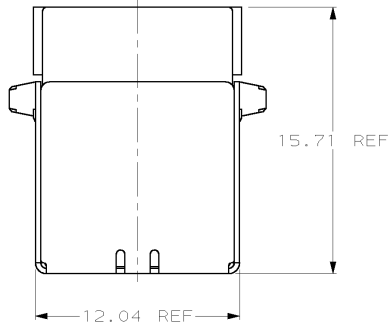
Tel: +86-755-8981 8866 Fax: +86-755-8427 6832

Email & Skype: info@chipsmall.com Web: www.chipsmall.com

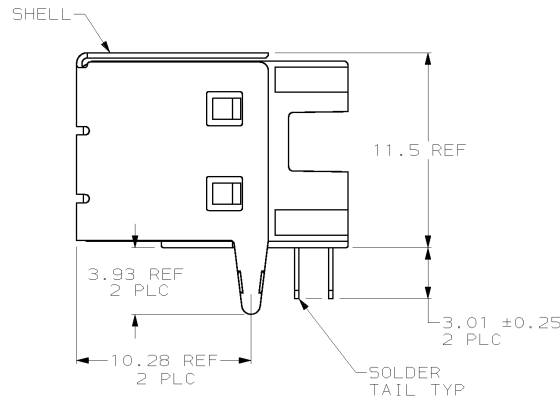
Address: A1208, Overseas Decoration Building, #122 Zhenhua RD., Futian, Shenzhen, China



LOC	DTST	REVISIONS					
J	00	P	LTR	DESCRIPTION	DATE	OWN	APVD
		F		REVISED PER EC 0513-0426-03	11 JAN04	JG	JG



PC BOARD MOUNTING DIMENSIONS $\Delta 4$



- $\Delta 1$ MATERIAL:
SHELL & CONTACTS: COPPER ALLOY.
HOUSING: UL 94V-0 RATED, THERMOPLASTIC, BLACK.
- $\Delta 2$ PLATING:
CONTACTS: 0.076 μ m MINIMUM GOLD OVER 0.76 μ m MINIMUM PALLADIUM-NICKEL ON MATING AREA.
3.8 μ m MINIMUM TIN-LEAD ON SOLDER TAILS.
BOTH OVER 1.27 μ m MINIMUM NICKEL.
CONTACT ALTERNATE PLATING: 0.76 μ m MIN GOLD ON MATING AREA, 3.8 μ m MIN TIN-LEAD ON SOLDER TAILS, BOTH OVER 1.27 μ m MIN NICKEL.
SHELL: 5.1 μ m MINIMUM TIN.
- $\Delta 3$ DATUM AND BASIC DIMENSIONS ESTABLISHED BY CUSTOMER.
- $\Delta 4$ RECOMMENDED PC BOARD THICKNESS OF 1.57.
- $\Delta 5$ PLATING:
CONTACTS: 0.76 μ m MINIMUM GOLD ON MATING AREA, 3.8 μ m MINIMUM TIN-LEAD ON SOLDER TAILS, BOTH OVER 1.27 μ m MINIMUM NICKEL.
SHELL: 5.1 μ m MINIMUM TIN.
- $\Delta 6$ PLATING:
CONTACTS: 0.38 μ m MINIMUM GOLD ON MATING AREA, 3.8 μ m MINIMUM TIN-LEAD ON SOLDER TAILS, BOTH OVER 1.27 μ m MINIMUM NICKEL.
SHELL: 5.1 μ m MINIMUM TIN.

$\Delta 6$	NO	BLACK	787780-5
$\Delta 5$	NO	BLACK	787780-4
$\Delta 2$	YES	BLACK	787780-3
$\Delta 2$	YES	NATURAL	787780-2
$\Delta 2$	NO	BLACK	787780-1
PLATING	HIGH TEMPERATURE COMPATIBLE	HOUSING COLOR	PART NUMBER

DIMENSIONS:		TOLERANCES UNLESS OTHERWISE SPECIFIED:		DATE		AMP	
mm		0 PLC	±	30	AUG 95	AMP Incorporated Harrisburg, PA 17105-3608	
		1 PLC	±	31	AUG 95	RECEPTACLE ASSEMBLY, RIGHT ANGLE, 4 POSITION, THRU-HOLE, TYPE B, UNIVERSAL SERIAL BUS	
		2 PLC	±	18	JUN 96		
		3 PLC	±			PRODUCT SPEC	
		4 PLC	±			APPLICATION SPEC	
		ANGLES	±			SIZE	SCALE CODE DRAWING NO
MATERIAL	$\Delta 1$	FINISH	$\Delta 2$	RETRY	-	A2	00779
CUSTOMER DRAWING						SCALE	5:1
						SHEET	1 OF 1
						REV	F