



Chipsmall Limited consists of a professional team with an average of over 10 year of expertise in the distribution of electronic components. Based in Hongkong, we have already established firm and mutual-benefit business relationships with customers from,Europe,America and south Asia,supplying obsolete and hard-to-find components to meet their specific needs.

With the principle of “Quality Parts,Customers Priority,Honest Operation,and Considerate Service”,our business mainly focus on the distribution of electronic components. Line cards we deal with include Microchip,ALPS,ROHM,Xilinx,Pulse,ON,Everlight and Freescale. Main products comprise IC,Modules,Potentiometer,IC Socket,Relay,Connector.Our parts cover such applications as commercial,industrial, and automotives areas.

We are looking forward to setting up business relationship with you and hope to provide you with the best service and solution. Let us make a better world for our industry!



Contact us

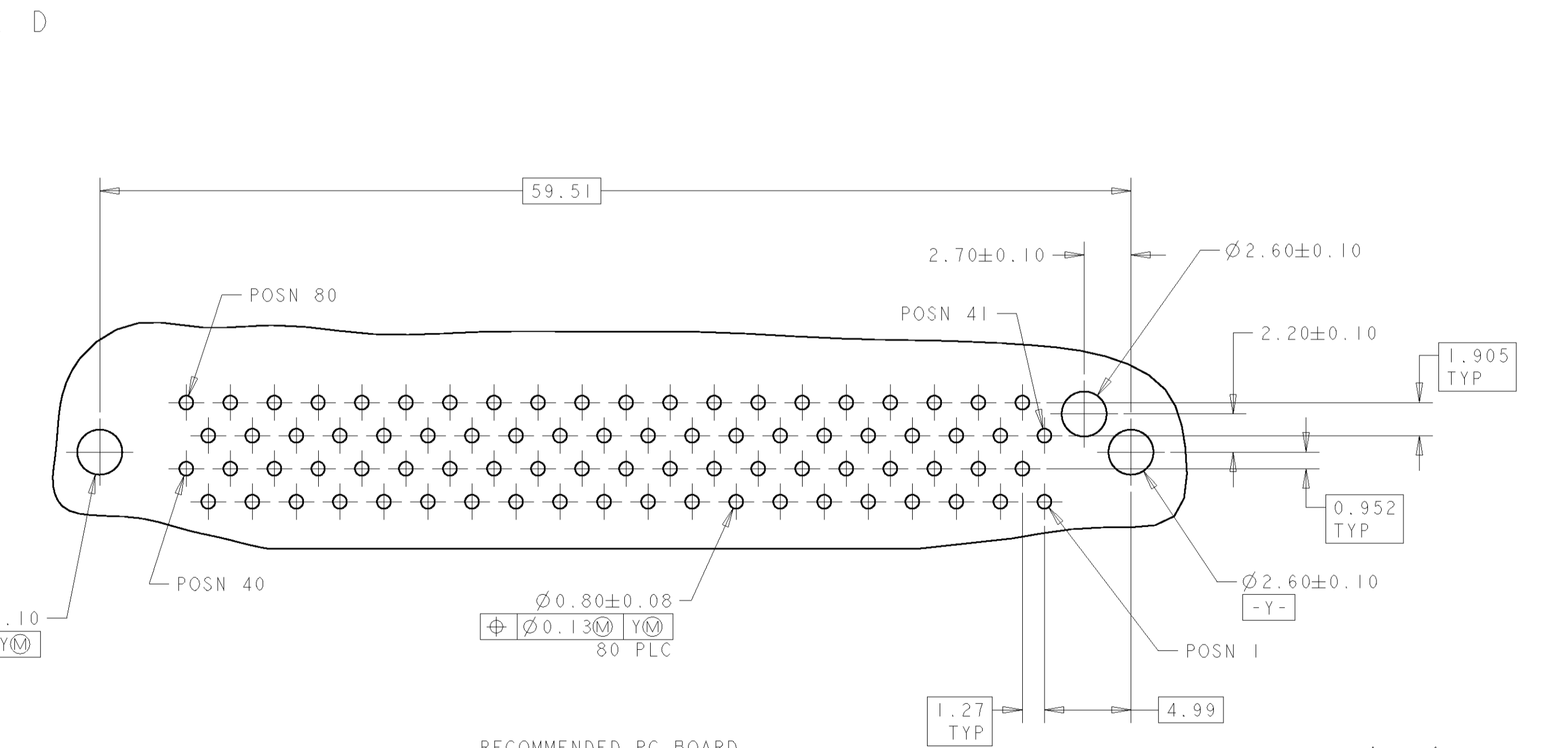
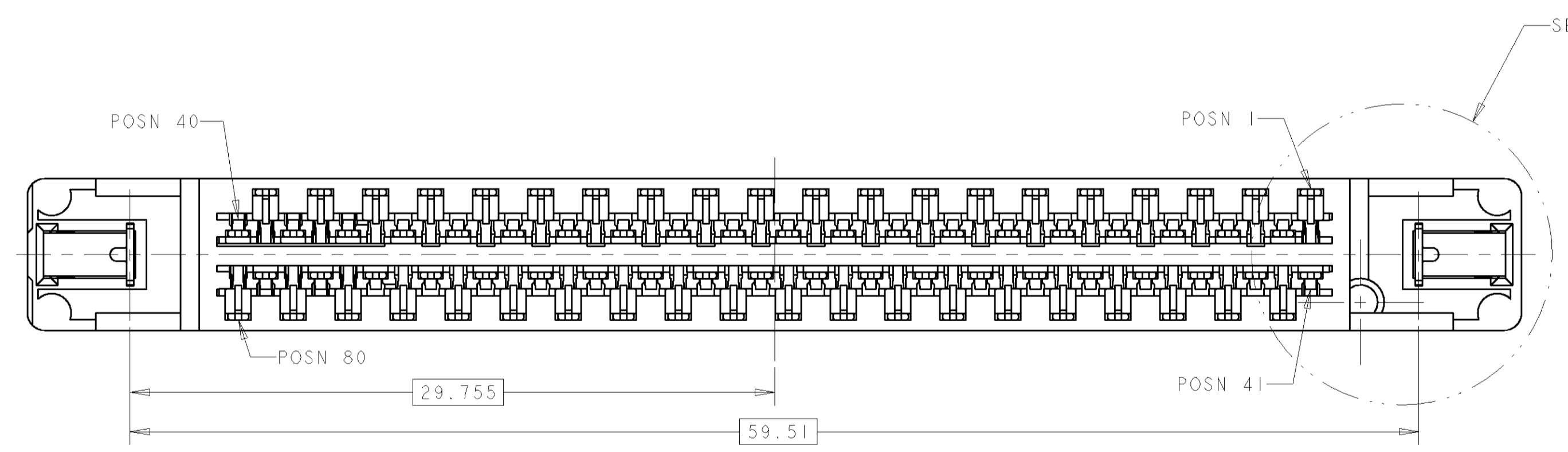
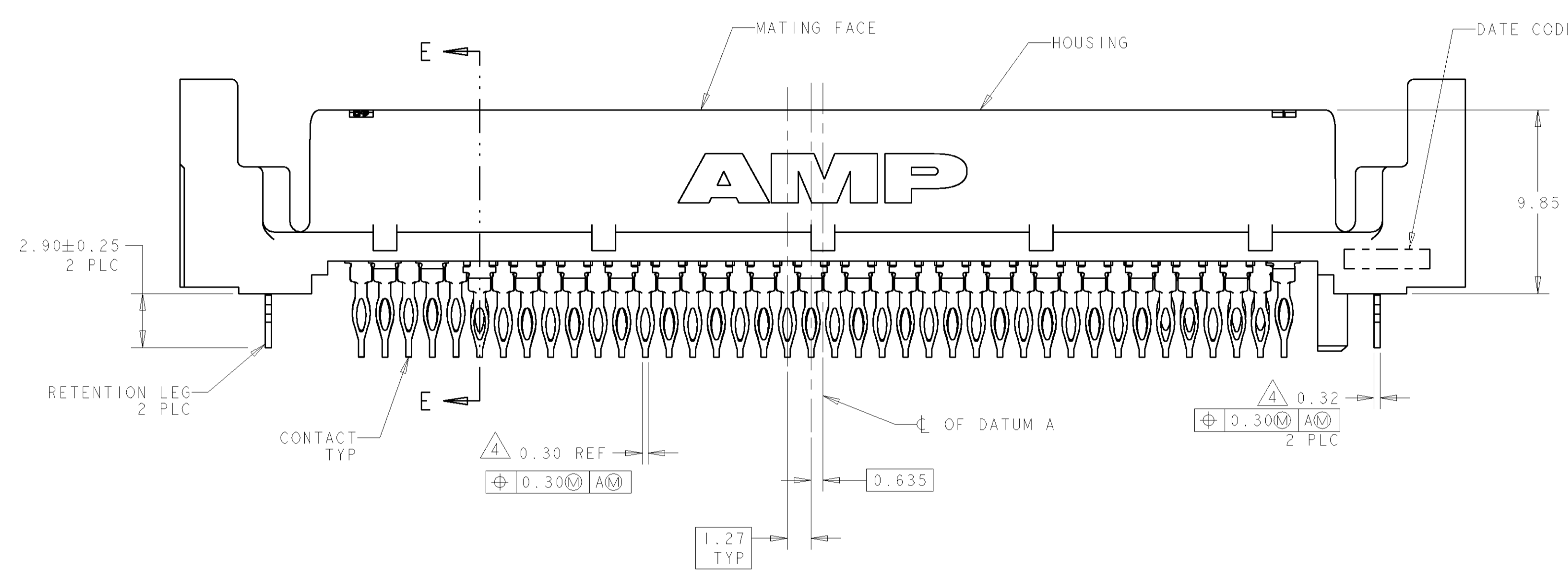
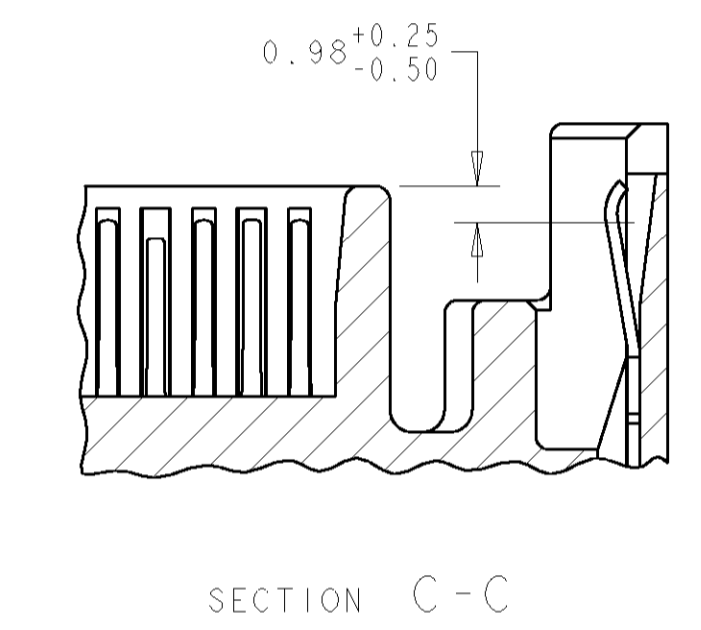
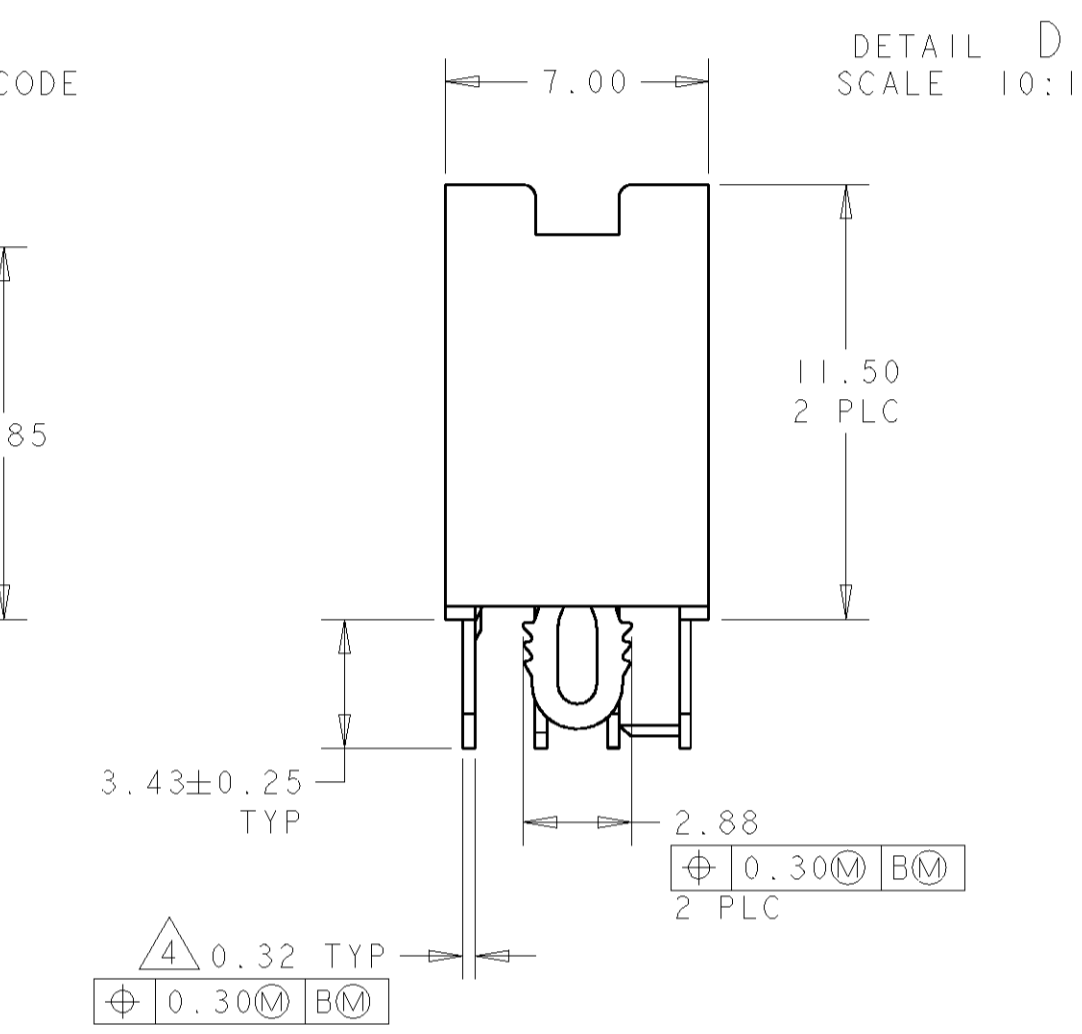
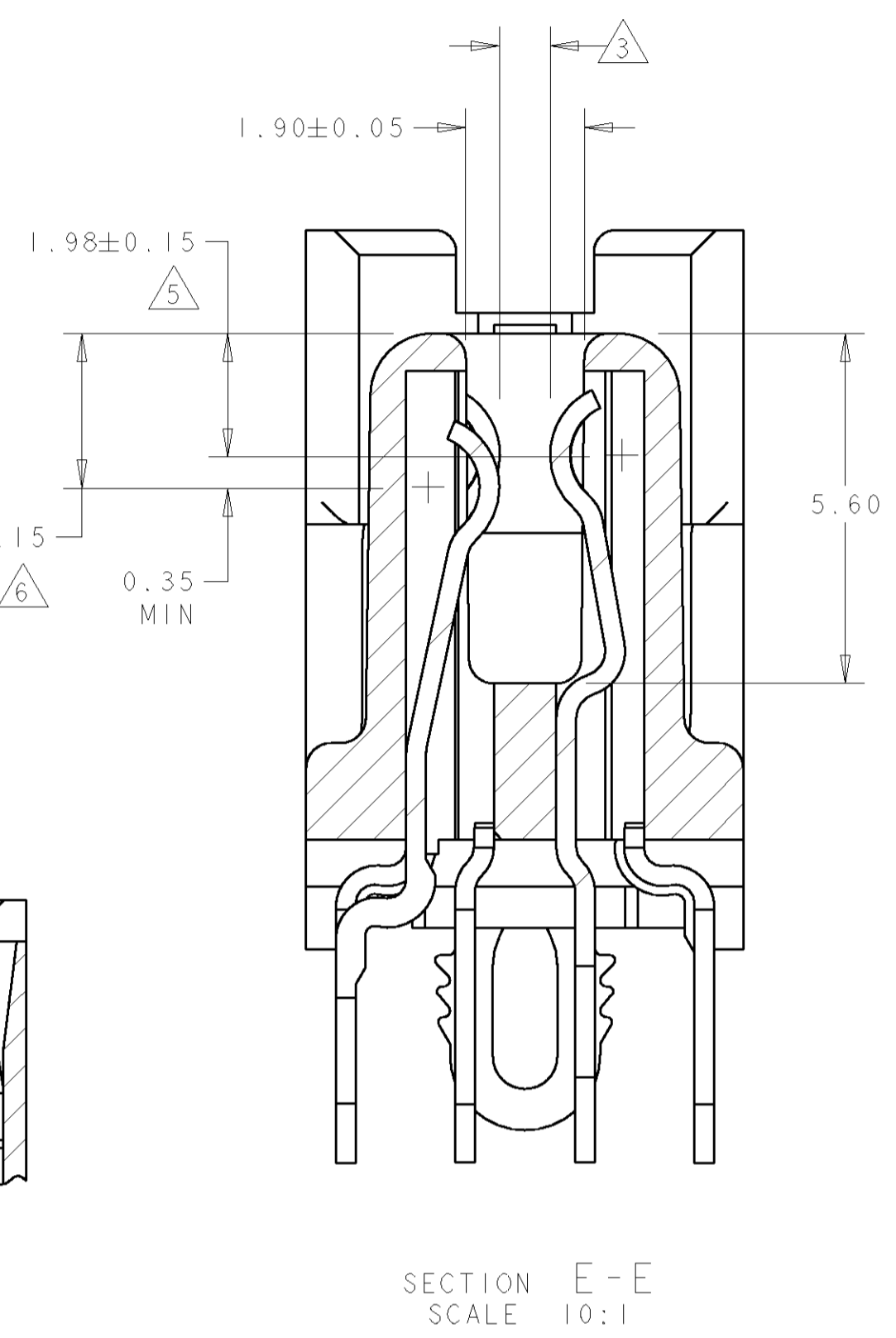
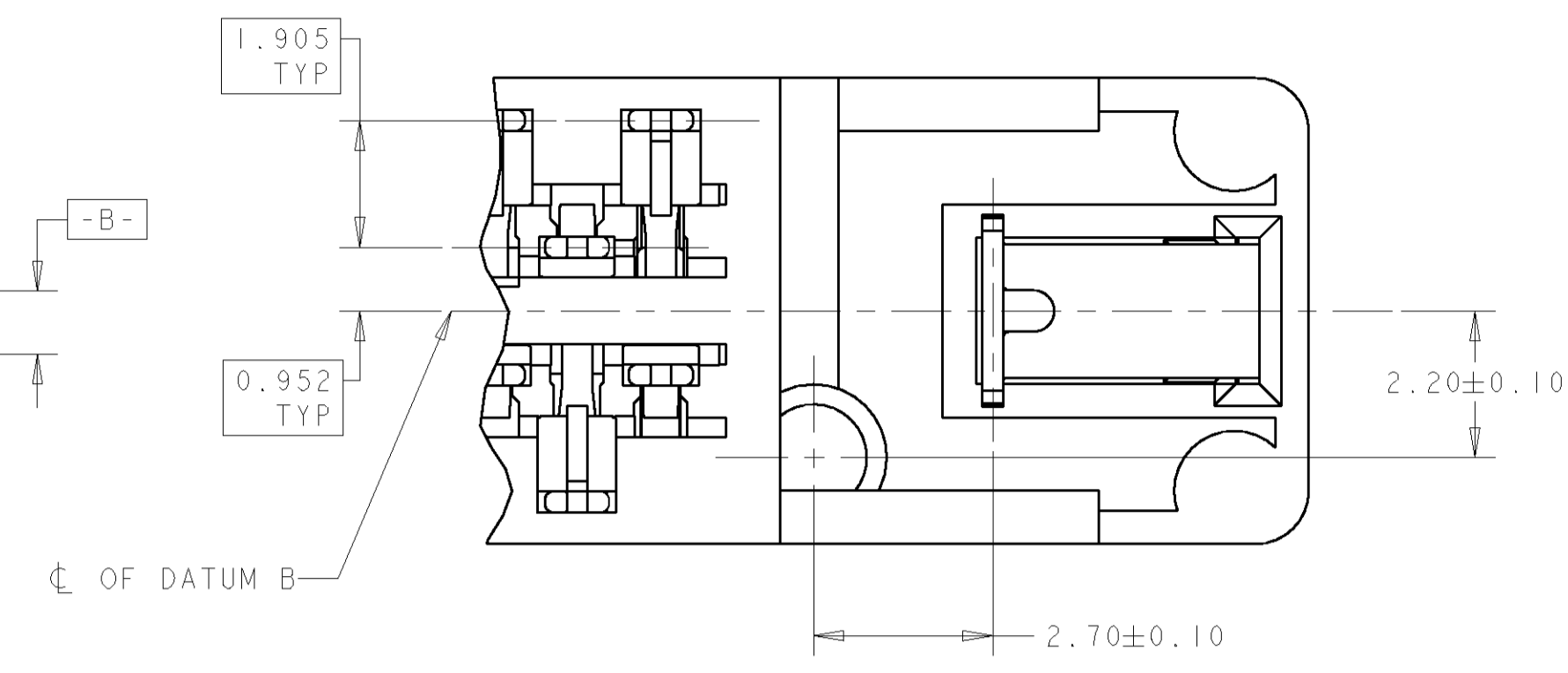
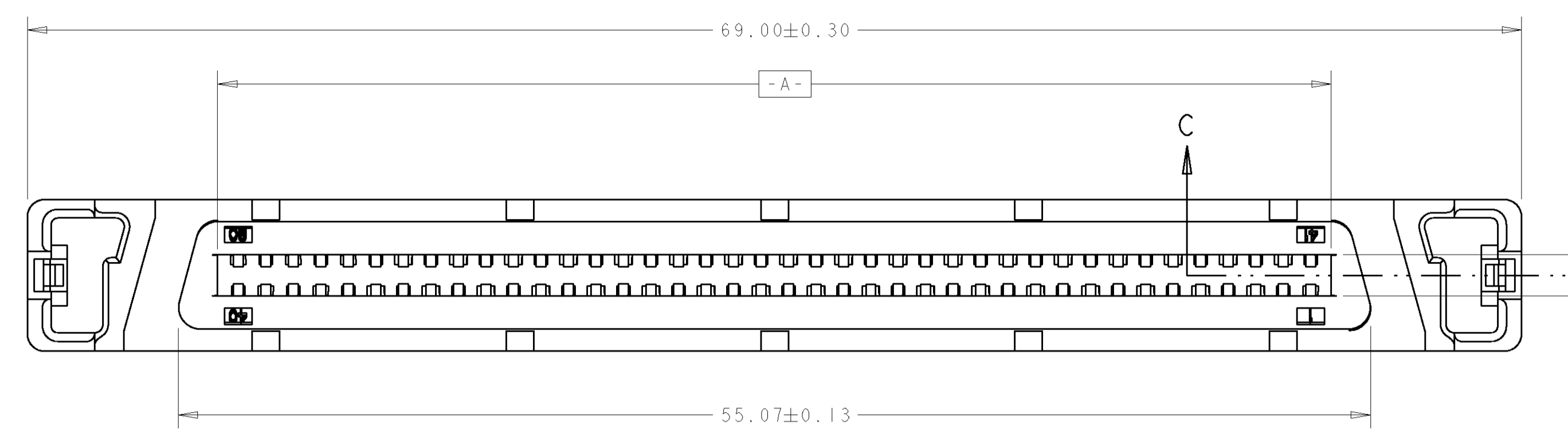
Tel: +86-755-8981 8866 Fax: +86-755-8427 6832

Email & Skype: info@chipsmall.com Web: www.chipsmall.com

Address: A1208, Overseas Decoration Building, #122 Zhenhua RD., Futian, Shenzhen, China



LOC	DIST	REVISIONS					
GP	00	P	LTR	DESCRIPTION	DATE	DWN	APVD
		H		REVISED PER EC 0513-0254-05	02JUN06	BM	EB
		J		REVISED PER EC 0513-0311-05	02JUN06	BM	EB
		J1		REVISED PER ECO-10-000445	09JAN10	KK	AEG



- △ HOUSING: LCP; UL 94V-0 RATED, BLACK.
CONTACTS: PHOSPHOR BRONZE.
RETENTION LEG: BRASS.
 - △ CONTACTS: 0.76μm GOLD FOR A LENGTH OF 1.20 MIN STARTING 0.50 MAX FROM MATING END, 1.27μm-3.81μm TIN-LEAD FOR A LENGTH OF 3.43 MIN FROM OPPOSITE END, BOTH OVER 1.27μm MIN NICKEL.
 - △ CONNECTOR WILL ACCOMMODATE MATING PRINTED CIRCUIT BOARD OF 1.60±0.07 THICKNESS.
 - △ POSITION TOLERANCE APPLIES AT CONTACT TIP ONLY.
 - △ DIMENSION APPLIES TO CONTACTS 1, 36 THRU 40, 41 THRU 43, 45, 46 AND 75 THRU 80.
 - △ DIMENSION APPLIES TO CONTACTS 2 THRU 35, 44, AND 47 THRU 74.
 - △ RETENTION LEG: 3.81μm MIN TIN-LEAD OVER 1.27μm MIN NICKEL.
 - △ RECOMMENDED PC BOARD THICKNESS IS 2.36 TO 3.81.
 - △ CONTACTS: 0.76μm GOLD FOR A LENGTH OF 1.20 MIN STARTING 0.50 MAX FROM MATING END, 1.27μm-3.81μm MATTE TIN FOR A LENGTH OF 3.43 MIN FROM OPPOSITE END, BOTH OVER 1.27μm MIN NICKEL.
 - △ RETENTION LEGS: 3.81μm MIN HALT TIN.
 - △ CONTACTS: 0.38μm GOLD FOR A LENGTH OF 1.20 MIN STARTING 0.50 MAX FROM MATING END, 1.27μm-3.81μm MATTE TIN FOR A LENGTH OF 3.43 MIN FROM OPPOSITE END, BOTH OVER 1.27μm MIN NICKEL.
 - △ CONTACTS: 0.38μm GOLD FOR A LENGTH OF 1.20 MIN STARTING 0.50 MAX FROM MATING END, 1.27μm-3.81μm TIN-LEAD FOR A LENGTH OF 3.43 MIN FROM OPPOSITE END, BOTH OVER 1.27μm MIN NICKEL.
- 13** **OBSELETE PARTS: OBSELETE CIS STREAMLINING PER D.RENAUD/D.SINISI**

RECOMMENDED PC BOARD MOUNTING DIMENSIONS COMPONENT SIDE SCALE 4:1

FINISH	PART NUMBER
7	787900-4
10	787900-3
9	787900-2
2	787900-1

DIMENSIONS: mm TOLERANCES UNLESS OTHERWISE SPECIFIED: 0 PLC ± 1 PLC ±0.13 3 PLC ± 4 PLC ± MATERIAL: SEE TABLE FINISH: SEE TABLE		DWN: R. FOLTZ 13-Sep-96 CHK: J. SWANK 17-Sep-96 APVD: J. SWANK 17-Sep-96 PRODUCT SPEC: 108-1548 APPLICATION SPEC: WEIGHT: CUSTOMER DRAWING	tyco AMP Incorporated Harrisburg, PA 17105-3608 NAME: RECEPTACLE ASSEMBLY, VERTICAL, 80 POSITION, PRESS FIT, CHAMP™ BLINDMATE .050 SERIES I SIZE: A100779C=787900 SCALE: 2:1 SHEET 1 OF 1 REV J1
--	--	--	---