



Chipsmall Limited consists of a professional team with an average of over 10 year of expertise in the distribution of electronic components. Based in Hongkong, we have already established firm and mutual-benefit business relationships with customers from,Europe,America and south Asia,supplying obsolete and hard-to-find components to meet their specific needs.

With the principle of “Quality Parts,Customers Priority,Honest Operation,and Considerate Service”,our business mainly focus on the distribution of electronic components. Line cards we deal with include Microchip,ALPS,ROHM,Xilinx,Pulse,ON,Everlight and Freescale. Main products comprise IC,Modules,Potentiometer,IC Socket,Relay,Connector.Our parts cover such applications as commercial,industrial, and automotives areas.

We are looking forward to setting up business relationship with you and hope to provide you with the best service and solution. Let us make a better world for our industry!



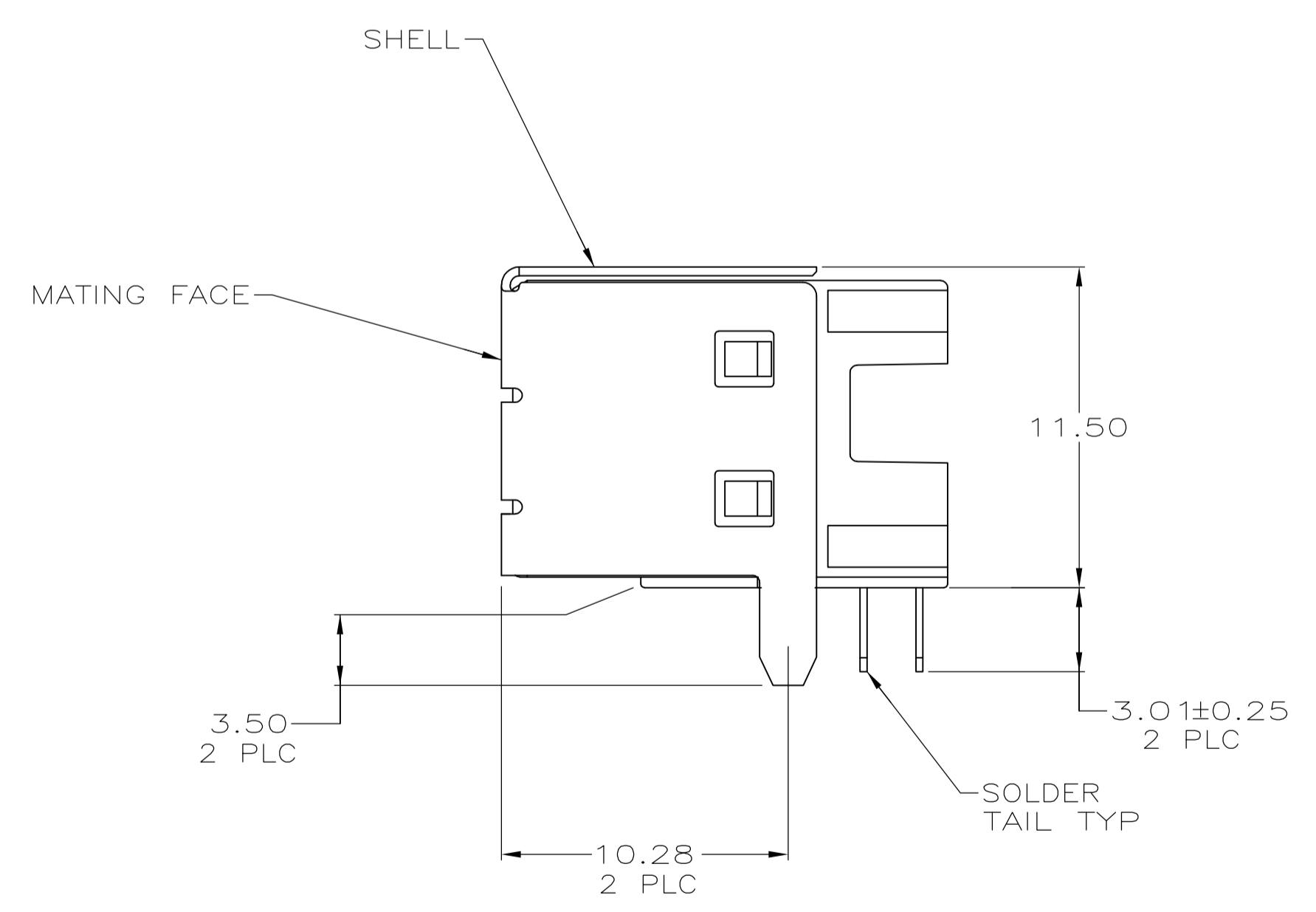
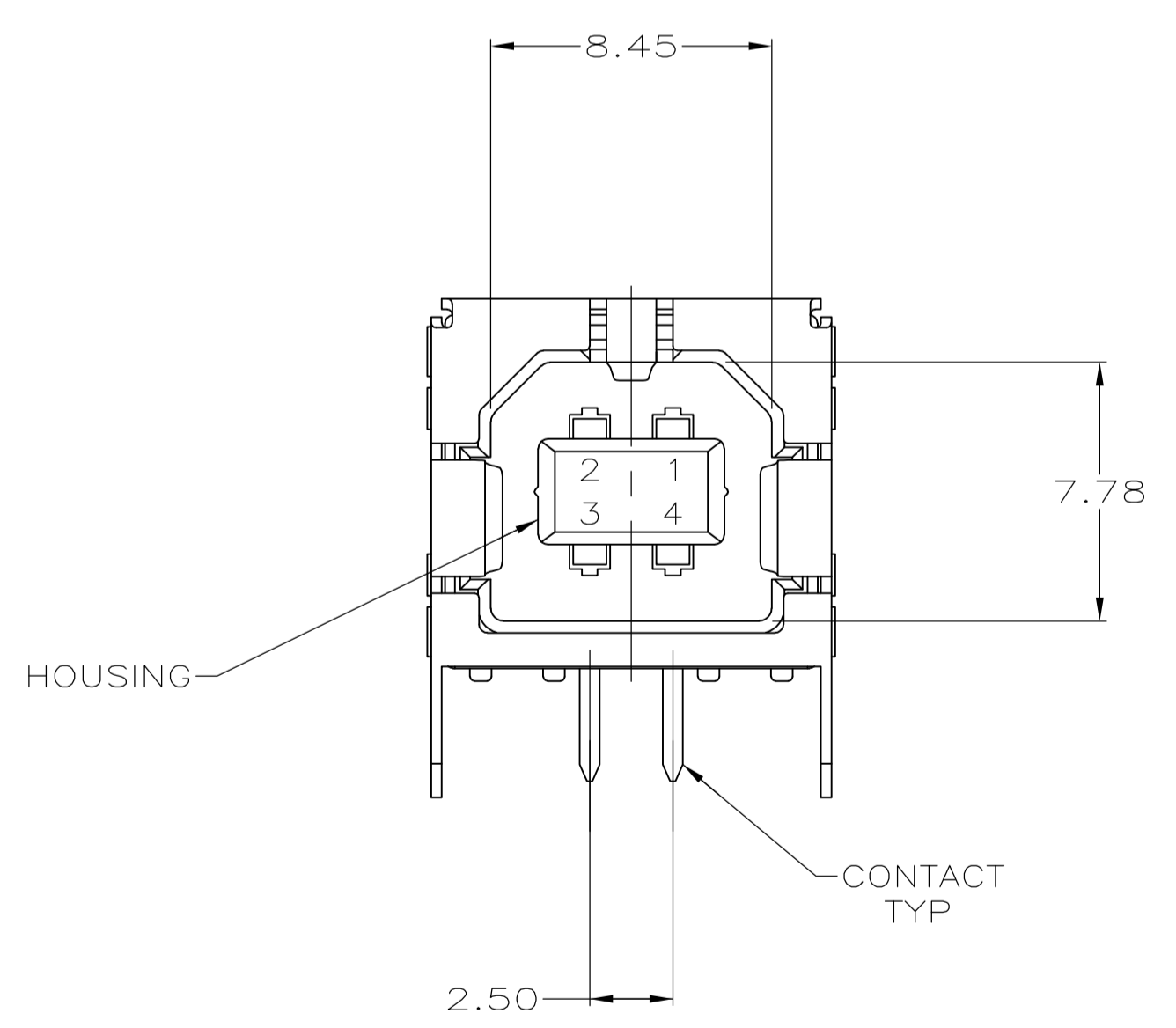
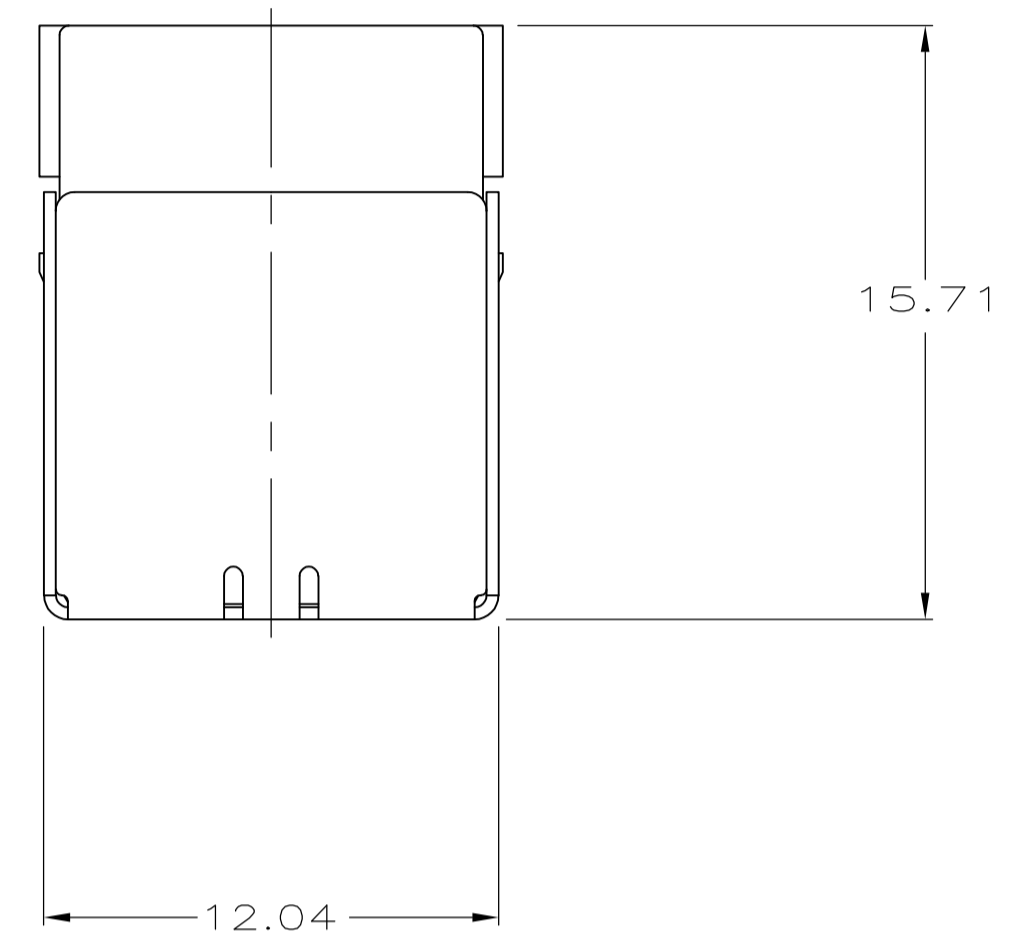
Contact us

Tel: +86-755-8981 8866 Fax: +86-755-8427 6832

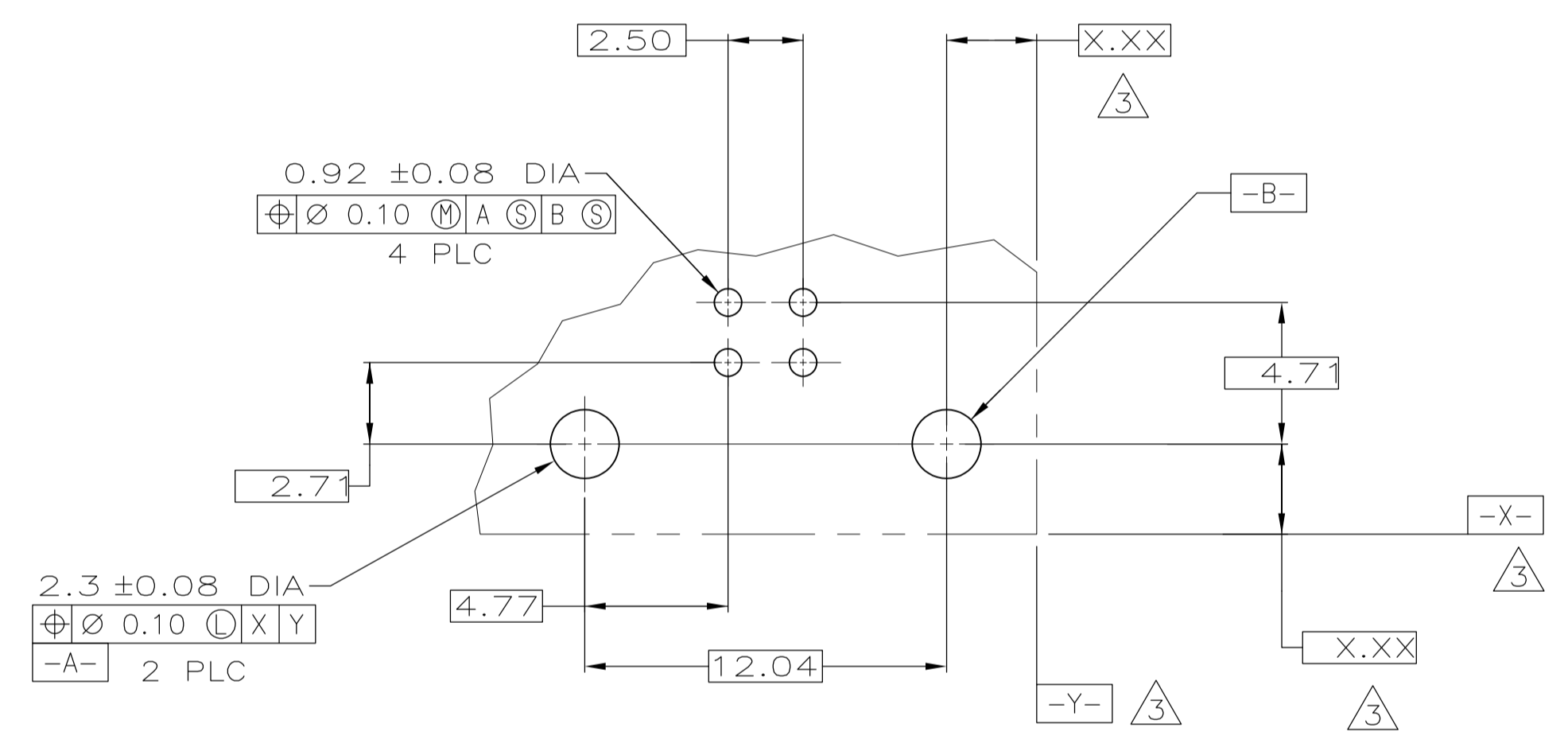
Email & Skype: info@chipsmall.com Web: www.chipsmall.com

Address: A1208, Overseas Decoration Building, #122 Zhenhua RD., Futian, Shenzhen, China





- ⚠ CONTACTS: COPPER ALLOY.
SHELL: COPPER ALLOY
HOUSING: UL 94V-0 RATED THERMOPLASTIC, COLOR: SEE TABLE.
- ⚠ CONTACTS: 0.076µm MINIMUM GOLD OVER
0.76µm MINIMUM PALLADIUM NICKEL ON MATING AREA.
3.80µm MINIMUM TIN-LEAD ON SOLDER TAILS
ALL OVER 1.27µm MINIMUM NICKEL.
SHELL: 5.10µm MINIMUM BRIGHT TIN.
- ⚠ DATUM AND BASIC DIMENSIONS ESTABLISHED BY CUSTOMER.
- ⚠ RECOMMENDED PC BOARD THICKNESS 1.57.
- ⚠ CONTACTS: 0.076µm MINIMUM GOLD OVER
0.76µm MINIMUM PALLADIUM NICKEL ON MATING AREA.
3.80µm MINIMUM TIN-LEAD ON SOLDER TAILS
ALL OVER 1.27µm MINIMUM NICKEL.
SHELL: 1.27µm MINIMUM NICKEL ALL OVER, MATTE TIN DIPPED ON TAILS.
- ⚠ OBSOLETE PARTS: OBSOLETE CIS STREAMLINING PER D.RENAUD/D.SINISI



RECOMMENDED PC BOARD MOUNTING DIMENSIONS

⚠ OBSOLETE	YES	⚠	BLACK	787924-4
	NO	⚠	BLACK	787924-3
⚠ OBSOLETE	YES	⚠	NATURAL	787924-2
	YES	⚠	BLACK	787924-1
	HIGH TEMPERATURE COMPATIBLE		FINISH	HOUSING COLOR
				PART NUMBER

THIS DRAWING IS A CONTROLLED DOCUMENT.		DIN 25 OCT 96		D. BROCKWAY	
DIMENSIONS: mm		TOLERANCES UNLESS OTHERWISE SPECIFIED:		CIRK 14 NOV 96	
0 PLC ± -		1 PLC ± -		J. HAMPTON	
2 PLC ± 0.10		3 PLC ± -		APVD 14 NOV 96	
4 PLC ± -		ANGLES ± -		NAME	
MATERIAL		FINISH		PRODUCT SPEC	
SEE TABLE		SEE TABLE		APPLICATION SPEC	
⚠		WEIGHT		SIZE	
		-		A1	
		CUSTOMER DRAWING		CAGE CODE	
				DRAWING NO	
				RESTRICTED TO	
				A1 00779C=787924	
				SCALE	
				5:1	
				SHEET	
				1 OF 1	
				REV	
				H2	