



Chipsmall Limited consists of a professional team with an average of over 10 year of expertise in the distribution of electronic components. Based in Hongkong, we have already established firm and mutual-benefit business relationships with customers from,Europe,America and south Asia,supplying obsolete and hard-to-find components to meet their specific needs.

With the principle of "Quality Parts,Customers Priority,Honest Operation,and Considerate Service",our business mainly focus on the distribution of electronic components. Line cards we deal with include Microchip,ALPS,ROHM,Xilinx,Pulse,ON,Everlight and Freescale. Main products comprise IC,Modules,Potentiometer,IC Socket,Relay,Connector.Our parts cover such applications as commercial,industrial, and automotives areas.

We are looking forward to setting up business relationship with you and hope to provide you with the best service and solution. Let us make a better world for our industry!



Contact us

Tel: +86-755-8981 8866 Fax: +86-755-8427 6832

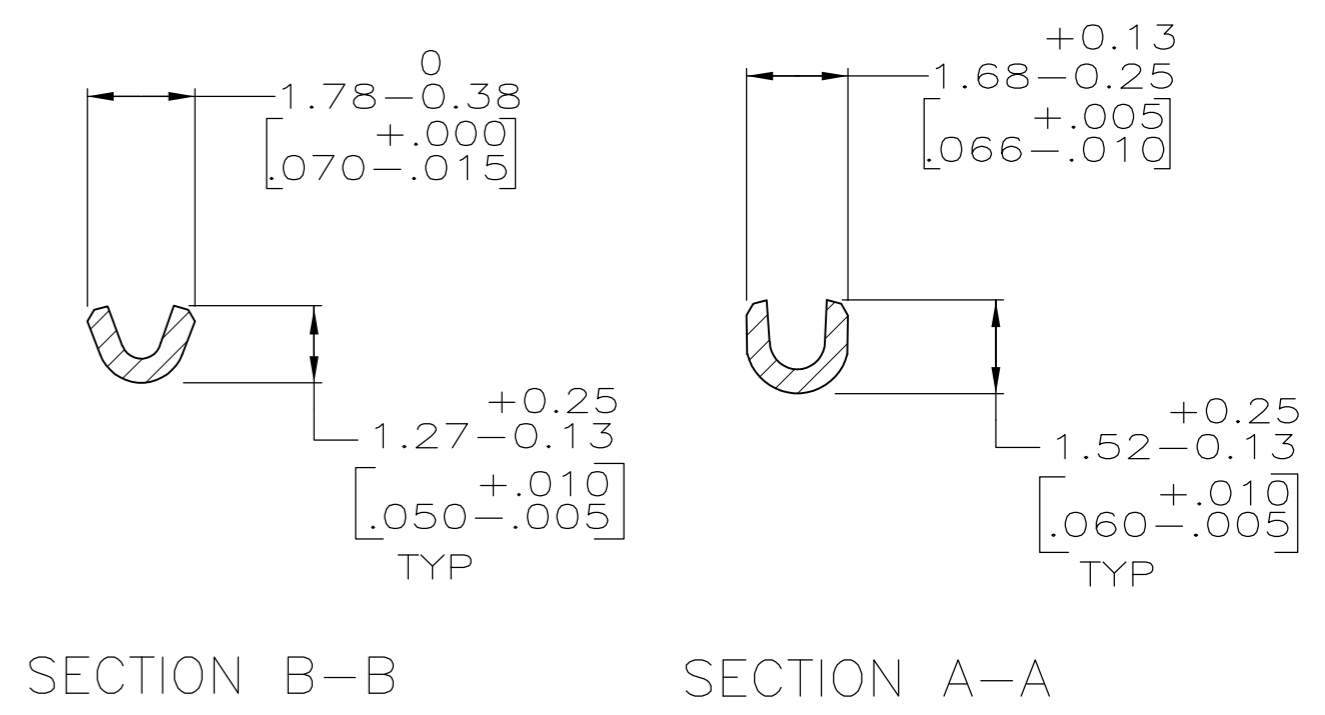
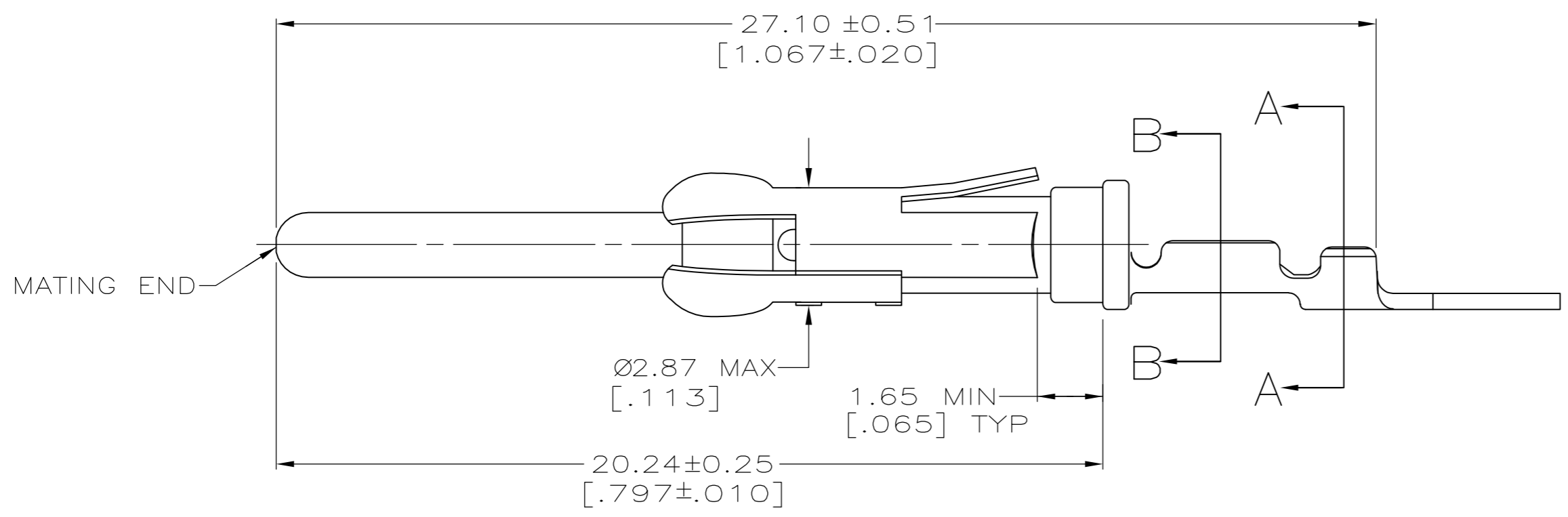
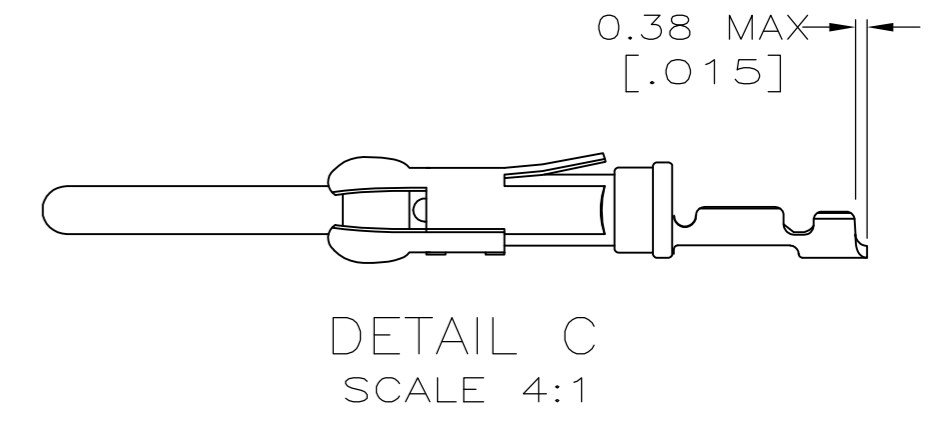
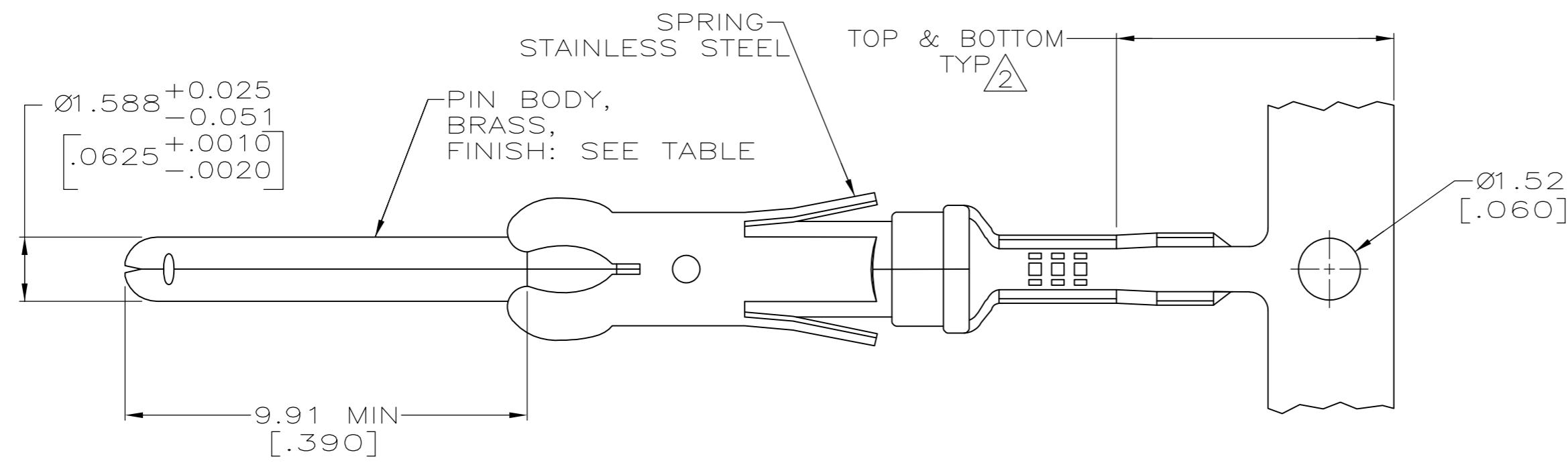
Email & Skype: info@chipsmall.com Web: www.chipsmall.com

Address: A1208, Overseas Decoration Building, #122 Zhenhua RD., Futian, Shenzhen, China



THIS DRAWING IS UNPUBLISHED. RELEASED FOR PUBLICATION
 © COPYRIGHT - By - ALL RIGHTS RESERVED.

| LOC | DIST | REVISIONS | | | |
|-----|------|-------------|---------------------------|---------|-------|
| P | LTR | DESCRIPTION | DATE | DWN | APVD |
| FT | 47 | E | REVISED PER ECO-12-012316 | 05JUL12 | KH MZ |



- $\triangle 1$ 0.76 μm $[\ .000030]$ MIN PRECIOUS METAL PLATE ON MATING END FOR A LENGTH OF 5.08 $[\ .200]$ MIN WITH 1.27 μm $[\ .000050]$ MIN MATTE TIN PLATE IN WIRE CRIMP AREA, BOTH OVER 1.27 μm $[\ .000050]$ MIN NICKEL PLATE. CONFORMS TO THE REQUIREMENTS OF TE CONNECTIVITY PRODUCT SPEC 108-10042, BASED ON EIA/ECA-364-1000.01A (CONTROLLED ENVIRONMENT APPLICATIONS).
- $\triangle 2$ GOLD PLATING NEED NOT APPEAR IN THIS AREA .
- 3. REELED FOR MINI-APPLICATOR.
- 4. WIRE RANGE 28-30 AWG.
INSULATION RANGE 3.81 $[\ .015]$ -7.62 $[\ .030]$ DIA.
- $\triangle 5$ 0.76 μm $[\ .000030]$ MIN PRECIOUS METAL PLATE ON MATING END FOR A LENGTH OF 5.08 $[\ .200]$ MIN WITH A UNIFORM GRADIENT TO 0.25 μm $[\ .000010]$ ON REMAINDER, OVER 1.27 μm $[\ .000050]$ MIN NICKEL PLATE. GOLD FLASH ALL OVER. CONFORMS TO THE REQUIREMENTS OF TYCO ELECTRONICS PRODUCT SPEC 108-10042, BASED ON EIA/ECA-364-1000.01A (CONTROLLED ENVIRONMENT APPLICATIONS).
- $\triangle 6$ 0.38 μm $[\ .000015]$ MIN GOLD PER MIL-G-45204 ON MATING END FOR A LENGTH OF 5.08 $[\ .200]$ MIN WITH 1.27 μm $[\ .000050]$ MIN MATTE TIN PLATE IN WIRE CRIMP AREA, BOTH OVER 1.27 μm $[\ .000050]$ MIN NICKEL PER QQ-N-290.

| PER DETAIL C | FINISH | PART NUMBER |
|--------------|---------------|-------------|
| | $\triangle 1$ | 788085-4 |
| | $\triangle 6$ | 788085-3 |
| | $\triangle 5$ | 788085-2 |
| | $\triangle 1$ | 788085-1 |

THIS DRAWING IS A CONTROLLED DOCUMENT.

| | | | |
|----------------------------|---|--|--|
| DIMENSIONS: mm [INCHES] | TOLERANCES UNLESS OTHERWISE SPECIFIED: 0 PLC \pm - 1 PLC \pm - 2 PLC \pm 0.13 [.005] 3 PLC \pm - 4 PLC \pm - ANGLES \pm - | DWN 21 NOV 96 C.OBERMAN CHK 22 NOV 96 R.STONE APVD 22 NOV 96 G.STEINHAUER PRODUCT SPEC 108-10042 APPLICATION SPEC 114-10004 | NAME TE Connectivity |
| MATERIAL SEE CALLOUTS | FINISH SEE CALLOUTS | WEIGHT - CUSTOMER DRAWING | SIZE A2 CAGE CODE 00779 DRAWING NO C=788085 RESTRICTED TO - |
| | | SCALE 4:1 | SHEET 1 OF 1 REV E |